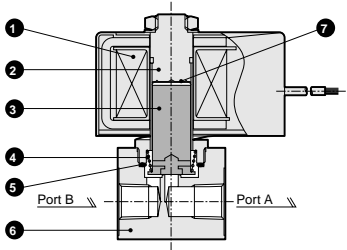


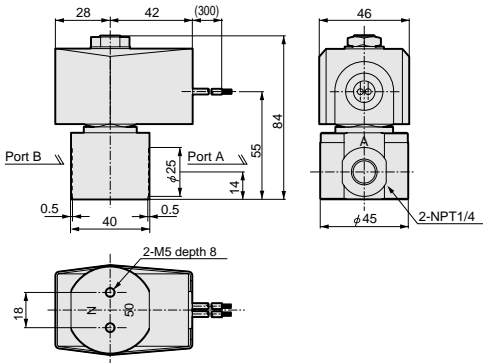
## Internal structure and main parts materials



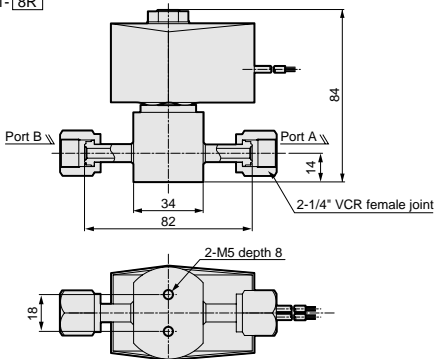
No.	Parts name	Material
1	Coil assembly	
2	Core assembly tightening torque	SUS405 SUS403 SUS316L
3	Plunger assembly	SUS405 FKM PET
4	Spring	SUS304
5	O ring	FKM
6	Body	SUS303
7	Cushion plate	PET

## Dimensions and optional dimensions

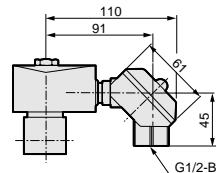
### ● HVB41-8N



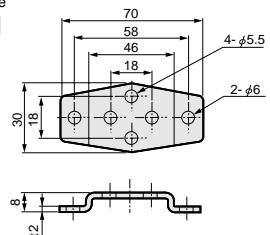
### ● VCR joint (custom order) HVB41-**[8R]**



### ● Square terminal box HVB41-**[3H]** [3K]



### ● Mounting plate HVB41-**[B]**



HNB/G

USB/G

FAB/G

FGB/G

FVB

FWB/G

FHB

FLB

AB

AG

AP/AD

APK/

ADK

For

dry air

Explosion

proof

HVB/

HVL

SAB/

SVB

NP/NAP/

NVP

CHB/G

MXB/G

Other G.P.

systems

PD/FAD/

PJ

CVE/

CVSE

CPE/

CPD

Medical

analysis

Custom

order

Solenoid valve for high vacuum