



Handling technology

- Gripper series 5000
- + 2-Jaw Parallel Grippers pneumatic
 - + 3-Jaw Concentric Grippers pneumatic
 - + 2-Jaw Parallel Grippers electric
 - + 3-Jaw Concentric Grippers electric

THE KNOW-HOW FACTORY



“WE ARE PLEASED TO BE TAKING A MAJOR STEP INTO THE FUTURE WITH ZIMMER GROUP. THE UMBRELLA BRAND ZIMMER GROUP SYMBOLIZES OUTWARDLY WHAT WE HAVE ALREADY INTERNALIZED – THE UNITY OF PREVIOUSLY SEPARATE COMPANIES.

AS ZIMMER GROUP, OUR FAMILY-RUN ENTERPRISE CAN DELIVER EVEN GREATER VALUE AND SUPPORT FOR OUR CUSTOMERS.

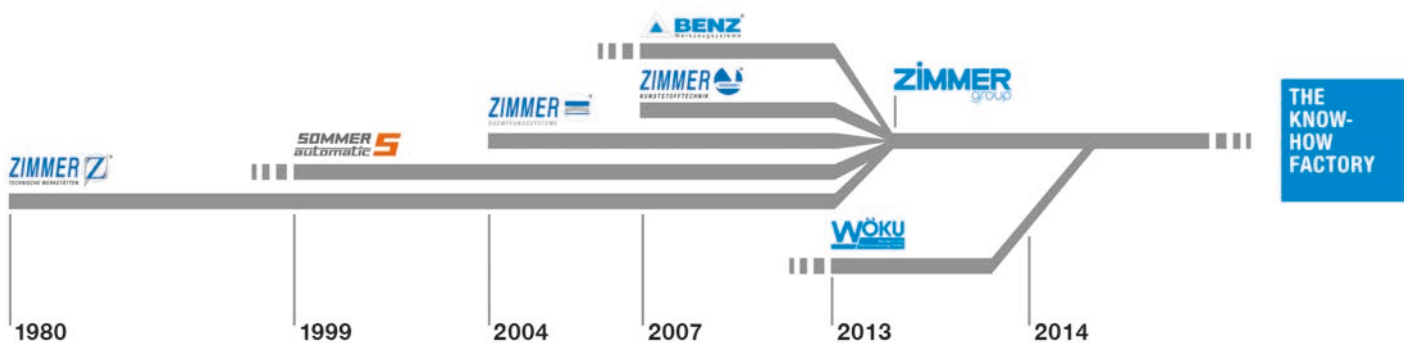
NOW AND IN THE FUTURE. CONTINUING OUR INTERNATIONALIZATION, ENGAGING WITH ALL INDUSTRIES, AND SOLVING ALL TYPES OF DEVELOPMENT TASKS ARE SOME OF THE CHALLENGES THAT WE WILL OVERCOME AS THE KNOW-HOW FACTORY.”

GÜNTHER ZIMMER, MARTIN ZIMMER AND ACHIM GAUSS

Managing Directors, from left to right



ZIMMER GROUP COMMITTED TO OUR CUSTOMERS



WE HAVE SUCCEEDED FOR YEARS BY OFFERING OUR CUSTOMERS INNOVATIVE AND INDIVIDUALIZED SOLUTIONS. ZIMMER HAS GROWN CONTINUOUSLY AND TODAY WE HAVE REACHED A NEW MILESTONE: THE ESTABLISHMENT OF THE KNOW-HOW FACTORY. IS THERE A SECRET TO OUR SUCCESS?

Foundation. Excellent products and services have always been the foundation of our company's growth. Zimmer is a source of ingenious solutions and important technical innovations. This is why customers with high expectations for technology frequently find their way to us. When things get tricky, Zimmer Group is in its best form.

Style. We have an interdisciplinary approach to everything we do, resulting in refined process solutions in six areas of technology. This applies not just to development but to production as well. Zimmer Group serves all industries and stands ready to resolve even unique and highly individualized problems. Worldwide.

Motivation. Customer orientation is perhaps the most important factor of our success. We are a service provider in the complete sense of the word. Even our decision to identify ourselves as Zimmer Group reflects this reality. With Zimmer Group, our customers now have a single, centralized contact for all of their needs. We approach each customer's situation with a high level of competence and a broad range of possible solutions.

TECHNOLOGIES



HANDLING TECHNOLOGY

WITH MORE THAN 30 YEARS OF EXPERIENCE AND INDUSTRY KNOWLEDGE, OUR PNEUMATIC, HYDRAULIC AND ELECTRICAL HANDLING COMPONENTS AND SYSTEMS ARE GLOBAL LEADERS.

Components. More than 2000 standardized gripper systems, positioning systems, robotools and much more. We offer a complete selection of technologically superior products that are ready for rapid delivery.

Semistandard. Our modular approach to design enables custom configurations and high rates of innovation for process automation.

Systems. We are particularly strong in providing custom system solutions for handling technologies, robotics and vacuum engineering.



DAMPING TECHNOLOGY

INDUSTRIAL DAMPING TECHNOLOGY AND SOFT CLOSE PRODUCTS EXEMPLIFY THE INNOVATION AND PIONEERING SPIRIT OF THE KNOW-HOW FACTORY.

Industrial damping technology.

Whether standard or customized solutions, our products stand for the highest cycle rates and maximum energy absorption with minimal space requirements.

Soft Close. Development and mass production of pneumatic and fluid dampers with extraordinary quality and rapid delivery.

OEM und direct. Whether they need components, returning mechanisms or complete production lines – we are the trusted partner of many prestigious customers.



LINEAR TECHNOLOGY

WE DEVELOP LINEAR COMPONENTS AND SYSTEMS THAT ARE INDIVIDUALLY ADAPTED TO OUR CUSTOMERS' NEEDS.

Clamping and braking elements. We offer more than 4000 types for profiled and rounded rails as well as for a variety of guide systems from all manufacturers. It makes no difference whether you prefer manual, automatic, electric or hydraulic drive.

Individualized systems. The unique functionality and precision of our clamping and braking elements open up numerous possibilities for custom applications such as active or semi-active braking and damping.



PROCESS TECHNOLOGY

MAXIMUM EFFICIENCY IS ESSENTIAL FOR SYSTEMS AND COMPONENTS USED IN PROCESS TECHNOLOGY. HIGH-LEVEL CUSTOM SOLUTIONS ARE OUR TRADEMARK.

A rich reservoir of experience. Our know-how ranges from the development of materials, processes and tools through product design to production of series products. Challenge us!

Deep production capabilities. The Zimmer Group pairs these capabilities with flexibility, quality and precision, even when making custom products.

Series production. We manufacture demanding products out of metal (MIM), elastomers and plastics with flexibility and speed.



TOOLING TECHNOLOGY

ZIMMER GROUP DEVELOPS INNOVATIVE METAL, WOOD AND COMPOSITE MATERIAL PROCESSING TOOL SYSTEMS FOR ALL INDUSTRIES. NUMEROUS CUSTOMERS CHOOSE US AS THEIR SYSTEMS AND INNOVATION PARTNER.

Knowledge and experience. Industry knowledge and a decades-long development partnership for exchangeable assemblies, tool interfaces and tool systems predestine us for new challenges around the world.

Components. We deliver numerous standard components from stock and develop innovative, customized systems for OEM and end users – far beyond just the metal and wood processing industries.

Variety. Whether you have machining centres, lathes, or flexible production cells, the power tools, holders, assemblies and drilling heads of Zimmer Group are ready for action.



MACHINE TOOLING TECHNOLOGY

AS A DRIVING FORCE IN OUR INDUSTRY, WE DELIVER HIGH-VALUE SOLUTIONS IN THE FIELD OF MECHANICAL ENGINEERING, FULLY ACCORDING TO THE NEEDS OF OUR CUSTOMERS.

Development partner. We accompany you from brainstorming to inspection of the final machine, always according to your expectations.

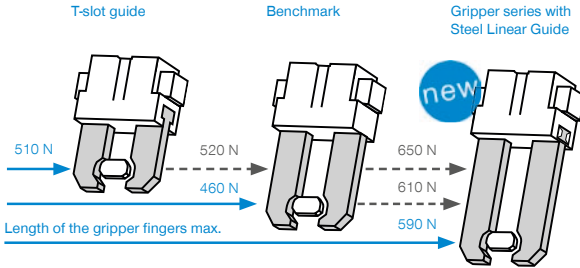
Components. We deliver series products and modules, five-axis heads, motor spindles, gearbox swivelling heads, add-on assemblies and motors.

Systems. The Know-how Factory stands for solutions in the fields of mechanical engineering systems, specialty solutions, custom assemblies and mechanical modules. We manufacture and configure multiple-spindle and large-angles as well as large boring heads.

PRODUCT BENEFITS OF THE GRIPPER SERIES

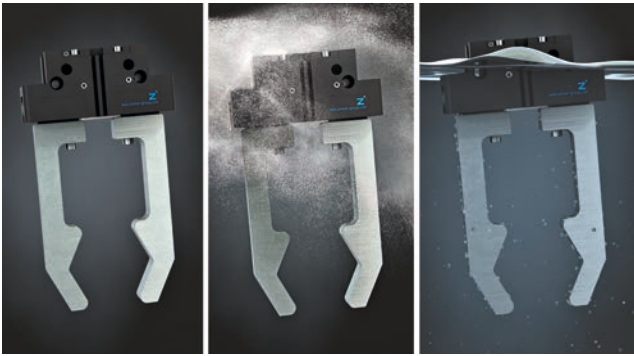
GPP5000 / GPD5000 / GEP5000 / GED5000

Gripper Series 5000



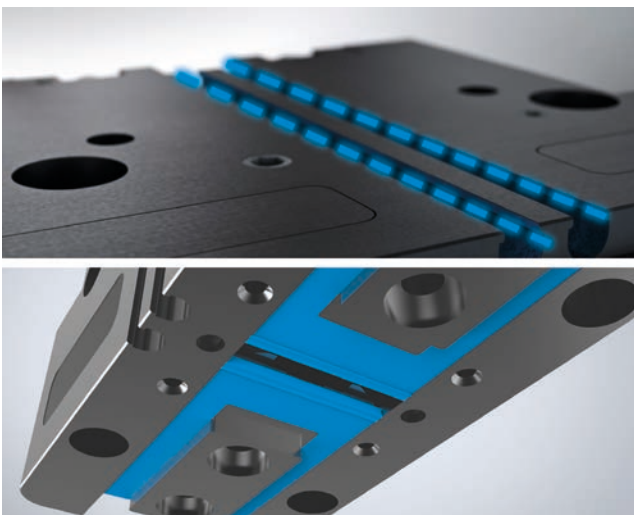
Is installing the most powerful components important to you?

- ▶ Increase the safety of your machine by installing a gripper from this series
- ▶ It offers you up to 30% higher gripping force and up to 10% higher static forces and moments
- ▶ Using it means you can install gripper fingers that are up to 10% longer than the best-known models in the market
- ▶ And you can be sure that these grippers give you the same performance as electrically driven grippers



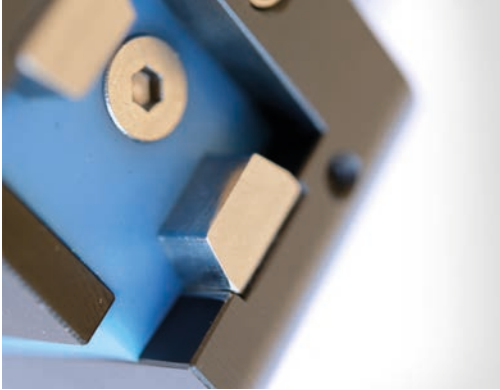
Do you want to use one gripper for any task?

- ▶ Cut the number of articles you manage
- ▶ And so reduce your design and stock-keeping costs to a minimum
- ▶ The gripper guarantees you process reliability, no matter what the environmental conditions
- ▶ Corrosion protection included
- ▶ Select either a pneumatic or electrical drive, to give you maximum flexibility when creating your design



Are details important to you?

- ▶ The transverse sensor grooves mean you can change the piston position sensing quickly and easily, wherever the gripper is installed
- ▶ Only one interference contour check required, because a spacer compensates for the height difference between the electrical and pneumatic gripper
- ▶ With additional pin holes underneath the cover plate for customer-specific attachments
- ▶ With integrated lubrication reservoir



Do you want state-of-the-art technology in your machine?

- ▶ The gripper's Steel Linear Guide combines proven linear guide principles with the very latest sealing and DLC technology
- ▶ You benefit from one of the most robust and longest-lasting grippers currently available on the market, with a maintenance-free working life of up to 30 million cycles



Universal jaw aluminium



Changeable jaw, loose-part-set



Changeable jaw, fix-part



2-Position-Sensor Cable
0,3 m - Connector M8



Inductive Proximity Switch
Cable 0,3 m - Connector M8



Plug-in connector Angled Cable
5m - Socket M8 (female)



Angled Fittings - Quick
Connect Style



Quick Exhaust Valve

Do you want a wide range of accessories, perfectly tailored to your gripper?

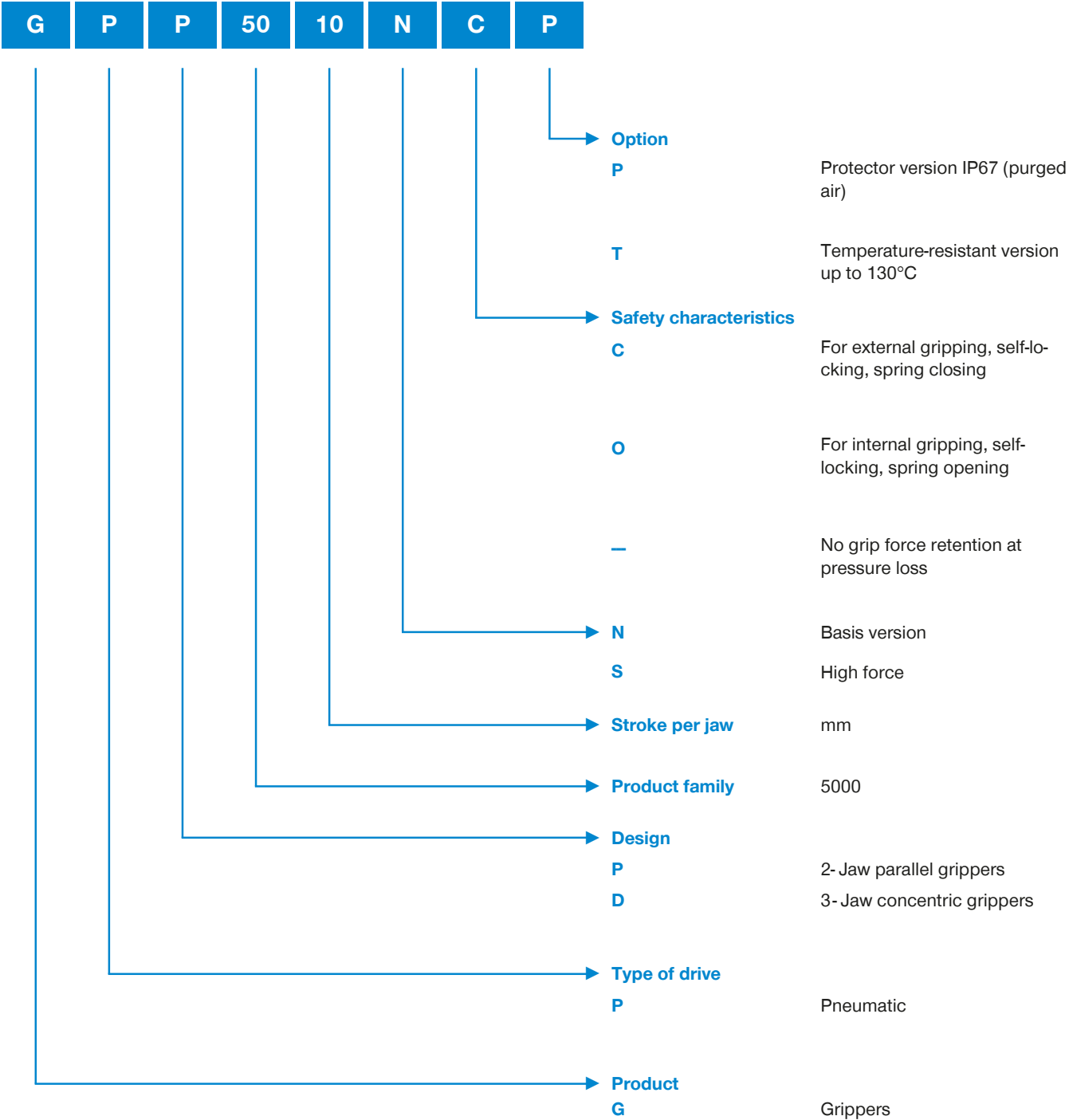
- ▶ Our product range has quick-release jaws that fit every Series 5000 gripper, so you can reduce setup times to a minimum
- ▶ 2-position sensors that enables you to space saving position sensing
- ▶ Our multitude of tools and accessories means you get everything you need for your gripper from one source

PRODUCT KEY

GPP5000 / GPD5000

Selection of Grippers

▶ with criteria on design, type of drive and stroke



SERIES GPP5000 / GPD5000 / GEP5000 / GED5000

OVERVIEW OF INSTALLATION SIZES

2-JAW PARALLEL GRIPPERS PNEUMATIC

1



SERIES GPP5000

	10
Size GPP5003	12
Size GPP5004	16
Size GPP5006	20
Size GPP5008	24
Size GPP5010	28
Size GPP5013	32
Size GPP5016	36
Size GPP5025	40
Size GPP5030	44

3-JAW CONCENTRIC GRIPPERS PNEUMATIC

2



SERIES GPD5000

	48
Size GPD5003	50
Size GPD5004	54
Size GPD5006	58
Size GPD5008	62
Size GPD5010	66
Size GPD5013	70
Size GPD5016	74
Size GPD5025	78
Size GPD5030	82

2-JAW PARALLEL GRIPPERS ELECTRIC

3



SERIES GEP5000

	86
Size GEP5006	88
Size GEP5008	92
Size GEP5010	96

3-JAW CONCENTRIC GRIPPERS ELECTRIC

4



SERIES GED5000

	100
Size GED5006	102
Size GED5008	106
Size GED5010	110

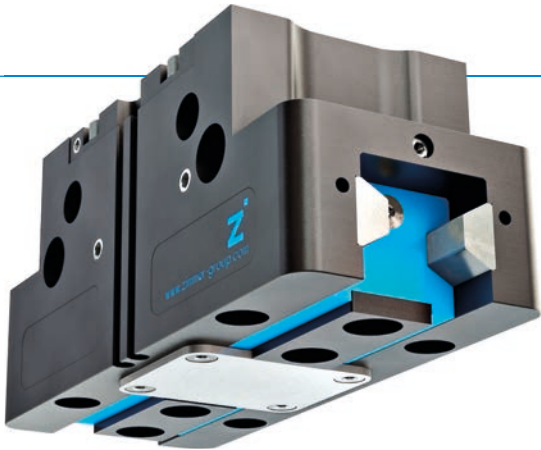
2-JAW PARALLEL GRIPPERS

SERIES GPP5000

1

Series GPP5000 / 2-Jaw Parallel Grippers / pneumatic / Grippers

▶ PRODUCT ADVANTAGES



“The Universal One”

- ▶ Up to 30% more gripping force than the benchmark
- ▶ 10% more static forces and moments than the benchmark
- ▶ Gripper fingers up to 10% longer than the benchmark
- ▶ Gripper fingers weight up to 15% higher than the benchmark
- ▶ Sealed guide IP64 / Protector version IP67 (with purged air)
- ▶ Protected against corrosion
- ▶ Up to 30 million cycles without maintenance

▶ THE BEST PRODUCT FOR YOUR APPLICATION



▶ Our products love the challenge!

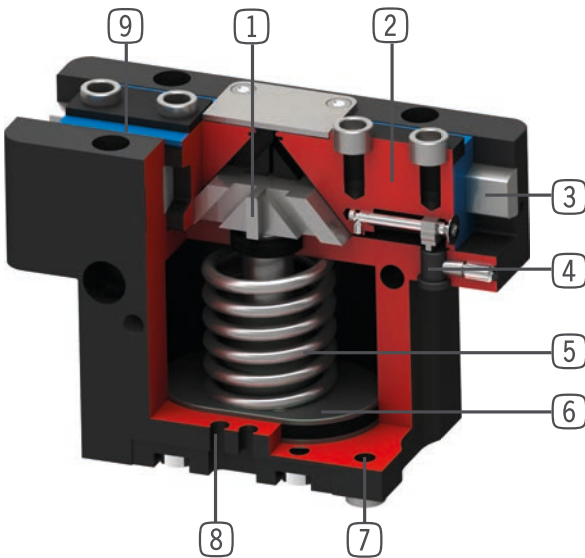
Extreme conditions, all over the world—our tried and tested components and systems give you limitless possibilities:
Find the best product for your specific use:
www.zimmer-group.com

HOW TO ORDER CORRECTLY

- ▶ The product order numbers are arranged according to this diagram:

Order no.	GPP5010	<input type="checkbox"/>	<input type="checkbox"/>	<input type="checkbox"/>
Basis version	N			
High force	S			
For external gripping, self-locking, spring closing			C	
For internal gripping, self-locking, spring opening			O	
Protector version IP67 for use in adverse environments (with purged air)				P
temperature-resistant version to 130 °C				T

► BENEFITS IN DETAIL



- ① **Positively driven wedge hook transmission**
 - Supports to absorb high forces and moments
 - Synchronized gripper jaw movement
- ② **Gripper jaw**
 - DLC coated to protect against corrosion
 - Gripper fingers mounted using removable centring sleeves
 - Lubricated for life via incorporated lubrication slots
- ③ **Steel Linear Guide**
 - Steel in steel guide
 - Enables use of extremely long gripper fingers
- ④ **Mounting block**
 - mounting for inductive proximity switch
- ⑤ **Integrated gripping force safety device**
 - Spring built into cylinder chamber as an energy store
- ⑥ **Drive**
 - Double-acting pneumatic rotor cylinder
- ⑦ **Mounting and positioning**
 - Alternatively, on several sides for customized mounting
 - Pneumatic and electrical versions identical apart from height
- ⑧ **Sensing slot**
 - mounting and positioning of magnetic field sensors
- ⑨ **Dual lip seal**
 - IP64 and up to IP67 (with purged air) for Protector version
 - Prevents grease from being squeezed out, increasing service life

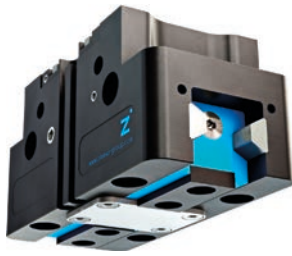
► TERMS

Gripping force:	arithmetic sum of the individual forces occurring at the jaws
Closing/opening time:	Time required for the gripper jaws to travel the entire stroke distance
Repeatability:	at end stops after 50/100 consecutive cycles
Cycle:	Path that the pistons travel for a complete opening and closing movement
Maintenance:	recommended at 30 mil. cycles (please see the installation instructions, download from www.zimmer-group.com)

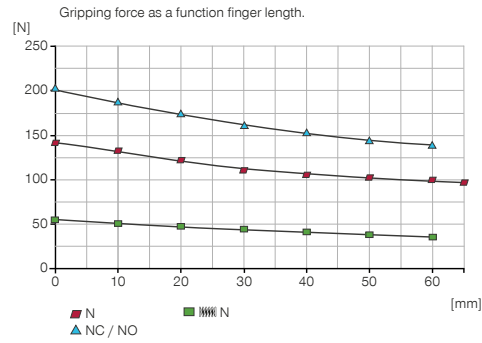
2-JAW PARALLEL GRIPPERS

INSTALLATION SIZE GPP5003

▶ PRODUCT SPECIFICATIONS

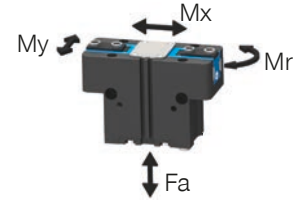


▶ Gripping force diagram



▶ Forces and moments

Displays static forces and moments that can also have an effect, besides the gripping force.



Mr [Nm]	7
Mx [Nm]	14
My [Nm]	13
Fa [N]	550

▶ TECHNICAL DATA

Order no.	▶ Technical Data*		
	GPP5003N	GPP5003NC	GPP5003NO
Stroke per jaw [mm]	2.5	2.5	2.5
Gripping force in closing [N]	140	195	
Gripping force in opening [N]	150		205
Gripping force secured by spring min. [N]		55	55
Closing time [s]	0.01	0.01	0.025
Opening time [s]	0.01	0.025	0.01
Weight per jaw max. [kg]	0.12	0.12	0.12
Length of the gripper fingers max. [mm]	65	60	60
Repetition accuracy +/- [mm]	0.01	0.01	0.01
Operating pressure min. [bar]	3	4	4
Operating pressure max. [bar]	8	7	7
Operating temperature [°C]	-10 ... +90	-10 ... +90	-10 ... +90
Air volume per cycle [cm³]	2.1	4.8	4.8
Protection to IEC 60529	IP64	IP64	IP64
Weight [kg]	0.08	0.1	0.1

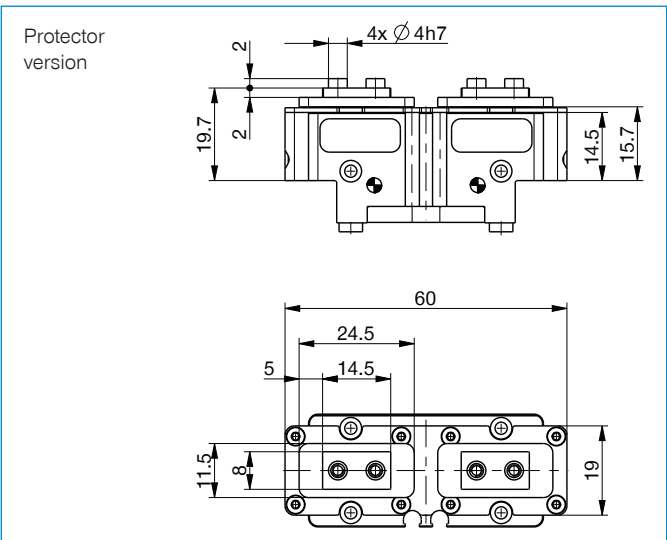
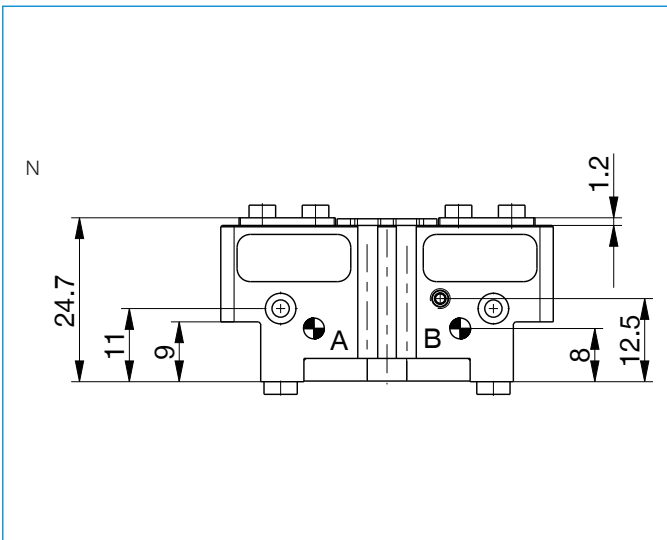
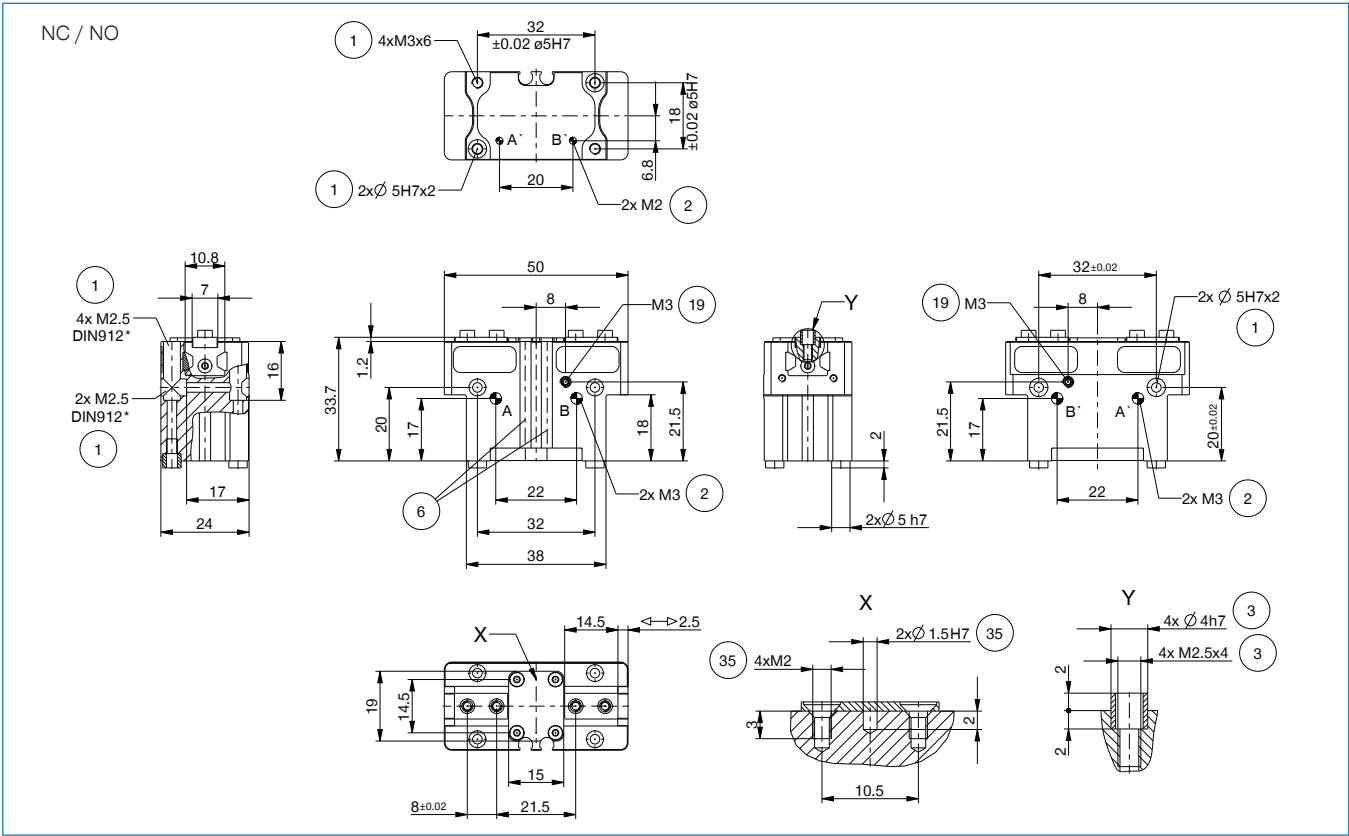
Order no.	▶ Technical Data - Protector Version		
	GPP5003NP	GPP5003NCP	GPP5003NOP
Protection to IEC 60529	IP67**	IP67**	IP67**
Weight [kg]	0.1	0.12	0.12

Order no.	▶ Technical Data - High Temperature Version		
	GPP5003NT	GPP5003NCT	GPP5003NOT
Operating temperature [°C]	-10 ... +130	-10 ... +130	-10 ... +130

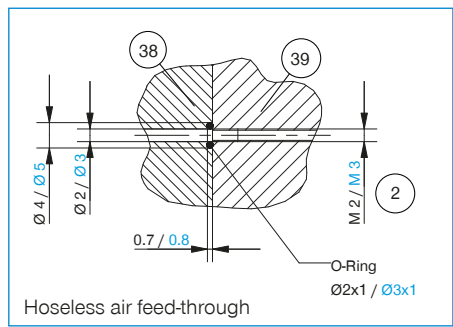
*All data measured at 6 bar

** with purged air

► TECHNICAL DRAWINGS



- ① Gripper attachment
- ② Energy supply
- ③ Fixing for gripper finger
- ⑥ Integrated slot for magnetic field sensor
- ⑱ Air purge connection option
- ⑳ Attachment option for customer-specific fittings
- ⑳ Adapter
- ㉑ Gripper
- Ⓐ Air connection (close)
- Ⓑ Air connection (open)
- Ⓐ Air connection, alternative (close)
- Ⓑ Air connection, alternative (open)

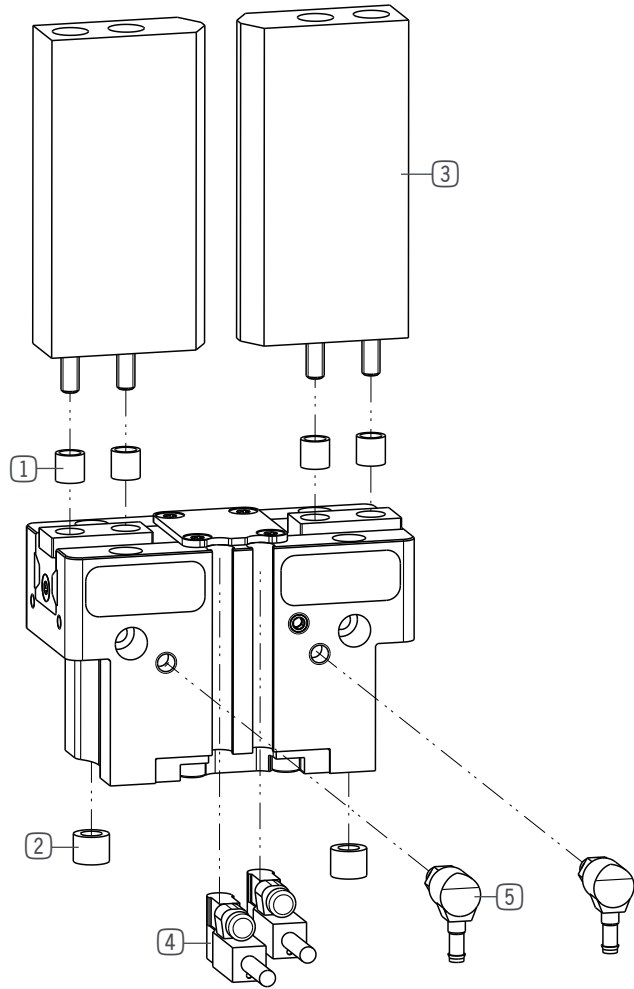


2-JAW PARALLEL GRIPPERS

INSTALLATION SIZE GPP5003

1

Installation size GPP5003 / 2-Jaw Parallel Grippers / pneumatic / Grippers



▶ INCLUDED IN DELIVERY



Centering Disc

DST06510



Centering Disc

015761

▶ RECOMMENDED ACCESSORIES



Universal jaw aluminium

UB5003AL



Universal jaw steel

UB5003ST



Rubber Coated Tape
Smooth

KF50G



Rubber Coated Tape
Knobbed

KF50N



Magnetic field sensor Angled
Cable 0,3 m - Connector M8

MFS103SKHC



Magnetic field sensor Straight
Cable 0,3 m - Connector M8

MFS204SKHC



2-Position-Sensor Cable
0,3 m - Connector M8

MFSP2SKHC-01



Plug-in connector Angled Ca-
ble 5m - Socket M8 (female)

KAW500



Plug-in connector Straight Ca-
ble 5m - Socket M8 (female)

KAG500



Plug-in connector customiz-
able Straight - Connector M8

S8-G-3



Plug-in connector customiz-
able Straight - Connector M12

S12-G-3



Angled Fittings - Barb
Style Connection

WVM3



Straight Fittings - Barb
Style Connection

GVM3



Quick Exhaust Valve

DEV04

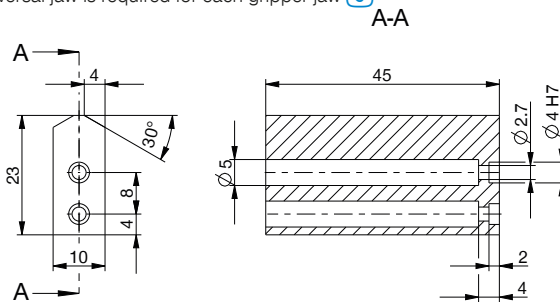


Pressure Safety Valve

DSV1-8

▶ TECHNICAL DRAWINGS ACCESSORIES

One universal jaw is required for each gripper jaw ⁽³⁾



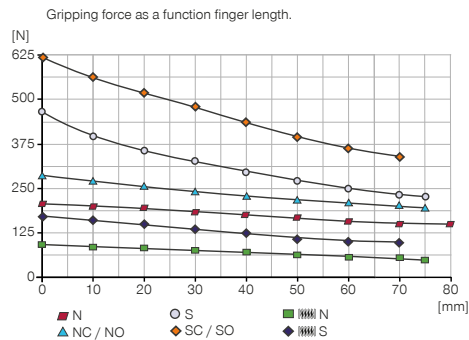
2-JAW PARALLEL GRIPPERS

INSTALLATION SIZE GPP5004

▶ PRODUCT SPECIFICATIONS

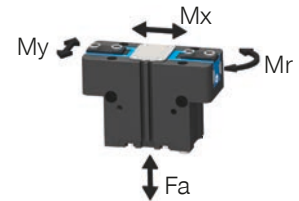


▶ Gripping force diagram



▶ Forces and moments

Displays static forces and moments that can also have an effect, besides the gripping force.



Mr [Nm]	14
Mx [Nm]	29
My [Nm]	23
Fa [N]	750

▶ TECHNICAL DATA

Order no.	▶ Technical Data*					
	GPP5004N	GPP5004NC	GPP5004NO	GPP5004S	GPP5004SC	GPP5004SO
Stroke per jaw [mm]	4	4	4	2	2	2
Gripping force in closing [N]	200	280		440	600	
Gripping force in opening [N]	215		295	470		630
Gripping force secured by spring min. [N]		80	80		160	160
Closing time [s]	0.015	0.015	0.025	0.015	0.015	0.025
Opening time [s]	0.015	0.025	0.015	0.015	0.025	0.015
Weight per jaw max. [kg]	0.2	0.2	0.2	0.2	0.2	0.2
Length of the gripper fingers max. [mm]	80	75	75	75	70	70
Repetition accuracy +/- [mm]	0.01	0.01	0.01	0.01	0.01	0.01
Operating pressure min. [bar]	3	4	4	3	4	4
Operating pressure max. [bar]	8	7	7	8	7	7
Operating temperature [°C]	-10 ... +90	-10 ... +90	-10 ... +90	-10 ... +90	-10 ... +90	-10 ... +90
Air volume per cycle [cm³]	5	12	12	5	12	12
Protection to IEC 60529	IP64	IP64	IP64	IP64	IP64	IP64
Weight [kg]	0.16	0.21	0.21	0.16	0.21	0.21

Order no.	▶ Technical Data - Protector Version					
	GPP5004NP	GPP5004NCP	GPP5004NOP	GPP5004SP	GPP5004SCP	GPP5004SOP
Protection to IEC 60529	IP67**	IP67**	IP67**	IP67**	IP67**	IP67**
Weight [kg]	0.25	0.3	0.3	0.25	0.3	0.3

Order no.	▶ Technical Data - High Temperature Version					
	GPP5004NT	GPP5004NCT	GPP5004NOT	GPP5004ST	GPP5004SCT	GPP5004SOT
Operating temperature [°C]	-10 ... +130	-10 ... +130	-10 ... +130	-10 ... +130	-10 ... +130	-10 ... +130

*All data measured at 6 bar

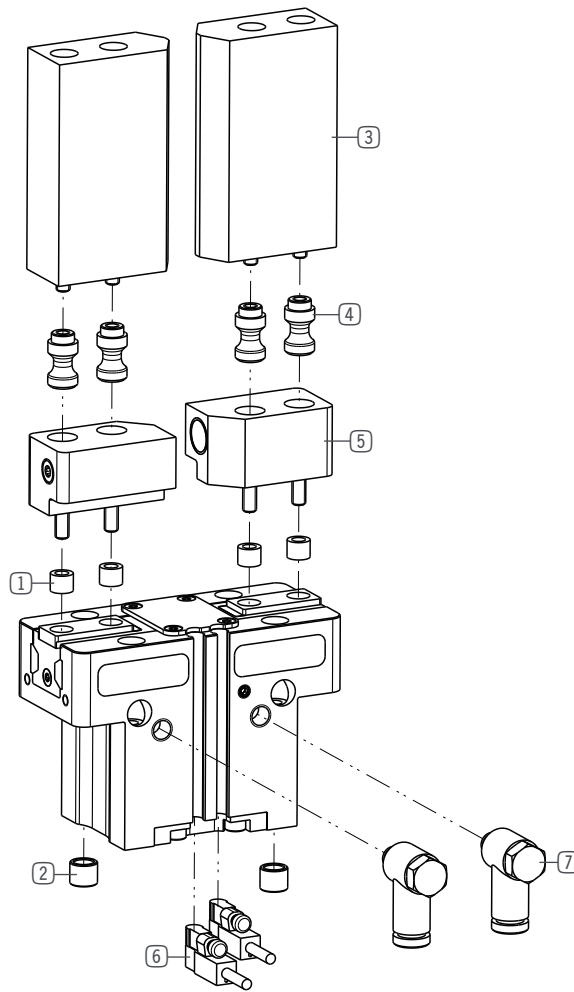
** with purged air

2-JAW PARALLEL GRIPPERS

INSTALLATION SIZE GPP5004

1

Installation size GPP5004 / 2-Jaw Parallel Grippers / pneumatic / Grippers



INCLUDED IN DELIVERY



Centering Disc

015761



Centering Disc

024230

▶ RECOMMENDED ACCESSORIES



Universal jaw aluminium

UB5004AL



Universal jaw steel

UB5004ST



Changeable jaw, loose-part-set

WB5004L



Changeable jaw, fix-part

WB5004F



Magnetic field sensor Angled Cable 0,3 m - Connector M8

MFS103SKHC



Magnetic field sensor Straight Cable 0,3 m - Connector M8

MFS204SKHC



2-Position-Sensor Cable 0,3 m - Connector M8

MFSP2SKHC-01



Plug-in connector Angled Cable 5m - Socket M8 (female)

KAW500



Plug-in connector Straight Cable 5m - Socket M8 (female)

KAG500



Plug-in connector customizable Straight - Connector M8

S8-G-3



Plug-in connector customizable Straight - Connector M12

S12-G-3



Angled Fittings - Quick Connect Style

WVM5



Straight Fittings - Quick Connect Style

GVM5



Quick Exhaust Valve

DEV04

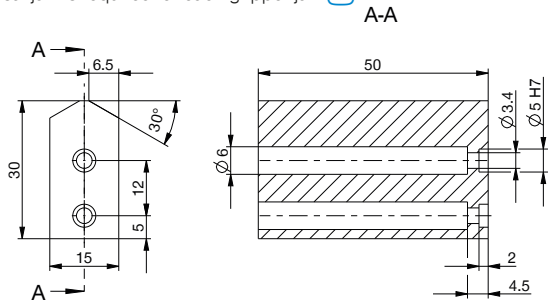


Pressure Safety Valve

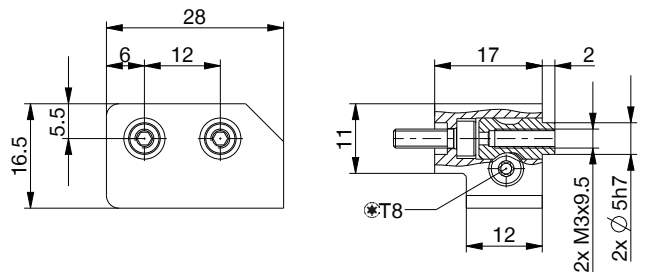
DSV1-8

▶ TECHNICAL DRAWINGS ACCESSORIES

One universal jaw is required for each gripper jaw **3**



For each gripper jaw, one interchangeable jaw loose part set **4** and one interchangeable jaw fixed part **5** are needed



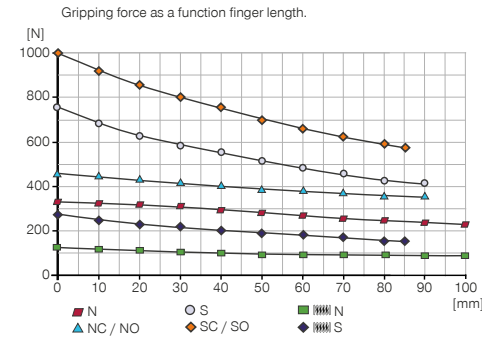
2-JAW PARALLEL GRIPPERS

INSTALLATION SIZE GPP5006

▶ PRODUCT SPECIFICATIONS

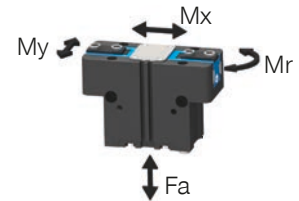


▶ Gripping force diagram



▶ Forces and moments

Displays static forces and moments that can also have an effect, besides the gripping force.



Mr [Nm]	43
Mx [Nm]	70
My [Nm]	46
Fa [N]	1250

▶ TECHNICAL DATA

Order no.	▶ Technical Data*					
	GPP5006N	GPP5006NC	GPP5006NO	GPP5006S	GPP5006SC	GPP5006SO
Stroke per jaw [mm]	6	6	6	3	3	3
Gripping force in closing [N]	330	455		740	1020	
Gripping force in opening [N]	360		485	800		1080
Gripping force secured by spring min. [N]		125	125		280	280
Closing time [s]	0.025	0.015	0.035	0.025	0.015	0.035
Opening time [s]	0.025	0.035	0.015	0.025	0.035	0.015
Weight per jaw max. [kg]	0.4	0.4	0.4	0.4	0.4	0.4
Length of the gripper fingers max. [mm]	100	90	90	90	85	85
Repetition accuracy +/- [mm]	0.01	0.01	0.01	0.01	0.01	0.01
Operating pressure min. [bar]	3	4	4	3	4	4
Operating pressure max. [bar]	8	7	7	8	7	7
Operating temperature [°C]	-10 ... +90	-10 ... +90	-10 ... +90	-10 ... +90	-10 ... +90	-10 ... +90
Air volume per cycle [cm³]	11	24	24	11	24	24
Protection to IEC 60529	IP64	IP64	IP64	IP64	IP64	IP64
Weight [kg]	0.28	0.35	0.35	0.28	0.35	0.35

Order no.	▶ Technical Data - Protector Version					
	GPP5006NP	GPP5006NCP	GPP5006NOP	GPP5006SP	GPP5006SCP	GPP5006SOP
Protection to IEC 60529	IP67**	IP67**	IP67**	IP67**	IP67**	IP67**
Weight [kg]	0.37	0.44	0.44	0.37	0.44	0.44

Order no.	▶ Technical Data - High Temperature Version					
	GPP5006NT	GPP5006NCT	GPP5006NOT	GPP5006ST	GPP5006SCT	GPP5006SOT
Operating temperature [°C]	-10 ... +130	-10 ... +130	-10 ... +130	-10 ... +130	-10 ... +130	-10 ... +130

*All data measured at 6 bar

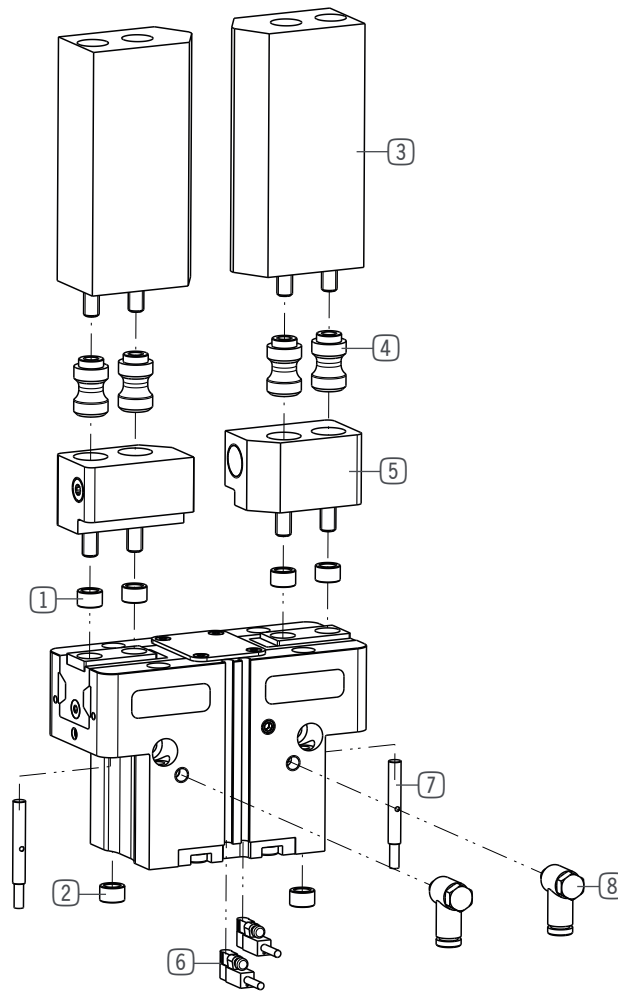
** with purged air

2-JAW PARALLEL GRIPPERS

INSTALLATION SIZE GPP5006

1

Installation size GPP5006 / 2-Jaw Parallel Grippers / pneumatic / Grippers



▶ INCLUDED IN DELIVERY



Centering Disc

024230



Centering Disc

024231

► RECOMMENDED ACCESSORIES



Universal jaw aluminium

UB5006AL



Universal jaw steel

UB5006ST



Changeable jaw, loose-part-set

WB5006L



Changeable jaw, fix-part

WB5006F



Magnetic field sensor Angled Cable 0,3 m - Connector M8

MFS103SKHC



Magnetic field sensor Straight Cable 0,3 m - Connector M8

MFS204SKHC



2-Position-Sensor Cable 0,3 m - Connector M8

MFSP2SKHC-01



Inductive Proximity Switch Cable 0,3 m - Connector M8

NJ4-E2SK-01



Plug-in connector Angled Cable 5m - Socket M8 (female)

KAW500



Plug-in connector Straight Cable 5m - Socket M8 (female)

KAG500



Angled Fittings - Quick Connect Style

WVM5



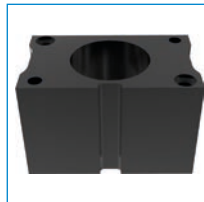
Straight Fittings - Quick Connect Style

GVM5



Pressure Safety Valve

DSV1-8



Compensation module N/S

ZUB5006PNS

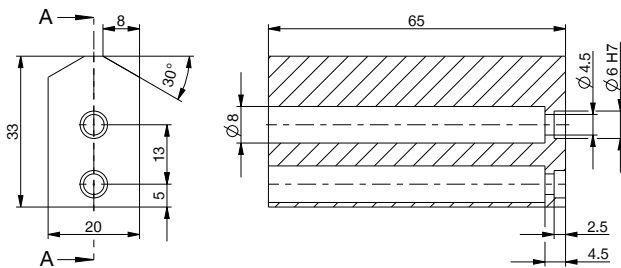


Compensation module NC/NO/SC/SO

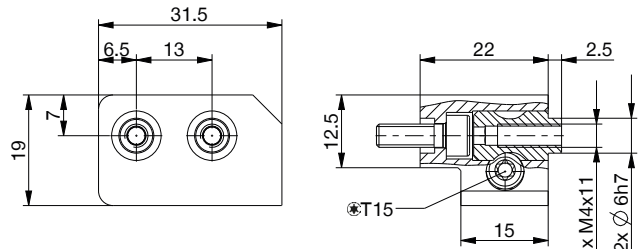
ZUB5006PCO

► TECHNICAL DRAWINGS ACCESSORIES

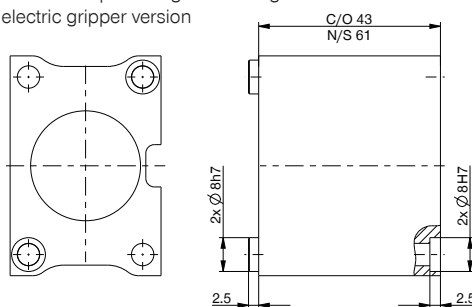
One universal jaw is required for each gripper jaw **3** A-A



For each gripper jaw, one interchangeable jaw loose part set **4** and one interchangeable jaw fixed part **5** are needed



Compensation module for compensating for the height differences between the pneumatic and electric gripper version



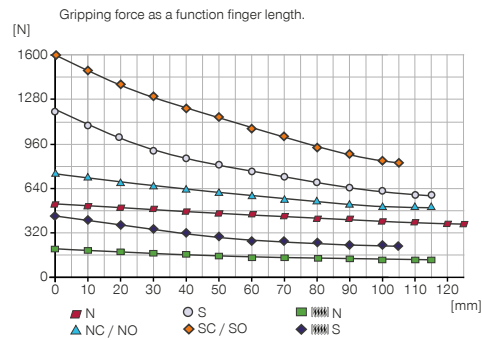
2-JAW PARALLEL GRIPPERS

INSTALLATION SIZE GPP5008

▶ PRODUCT SPECIFICATIONS

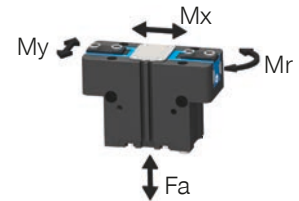


▶ Gripping force diagram



▶ Forces and moments

Displays static forces and moments that can also have an effect, besides the gripping force.



Mr [Nm]	60
Mx [Nm]	105
My [Nm]	65
Fa [N]	1900

▶ TECHNICAL DATA

Order no.	▶ Technical Data*					
	GPP5008N	GPP5008NC	GPP5008NO	GPP5008S	GPP5008SC	GPP5008SO
Stroke per jaw [mm]	8	8	8	4	4	4
Gripping force in closing [N]	520	710		1150	1580	
Gripping force in opening [N]	560		750	1240		1670
Gripping force secured by spring min. [N]		190	190		430	430
Closing time [s]	0.035	0.025	0.045	0.035	0.025	0.045
Opening time [s]	0.035	0.045	0.025	0.035	0.045	0.025
Weight per jaw max. [kg]	0.7	0.7	0.7	0.7	0.7	0.7
Length of the gripper fingers max. [mm]	125	115	115	115	105	105
Repetition accuracy +/- [mm]	0.01	0.01	0.01	0.01	0.01	0.01
Operating pressure min. [bar]	3	4	4	3	4	4
Operating pressure max. [bar]	8	7	7	8	7	7
Operating temperature [°C]	-10 ... +90	-10 ... +90	-10 ... +90	-10 ... +90	-10 ... +90	-10 ... +90
Air volume per cycle [cm³]	22	43	43	22	43	43
Protection to IEC 60529	IP64	IP64	IP64	IP64	IP64	IP64
Weight [kg]	0.53	0.63	0.63	0.53	0.63	0.63

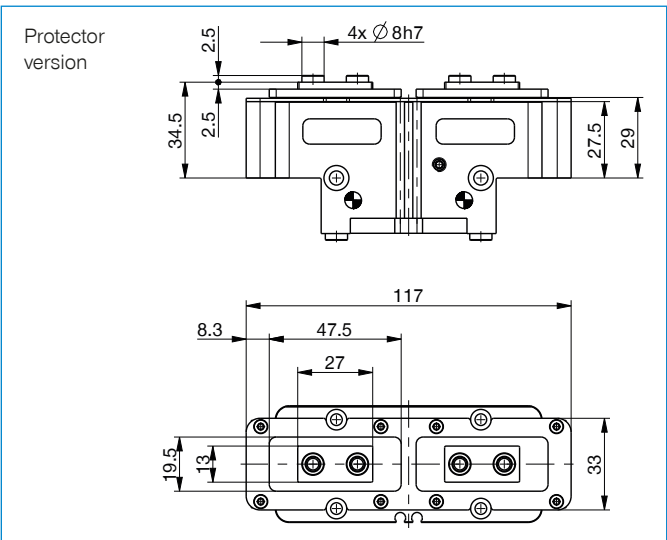
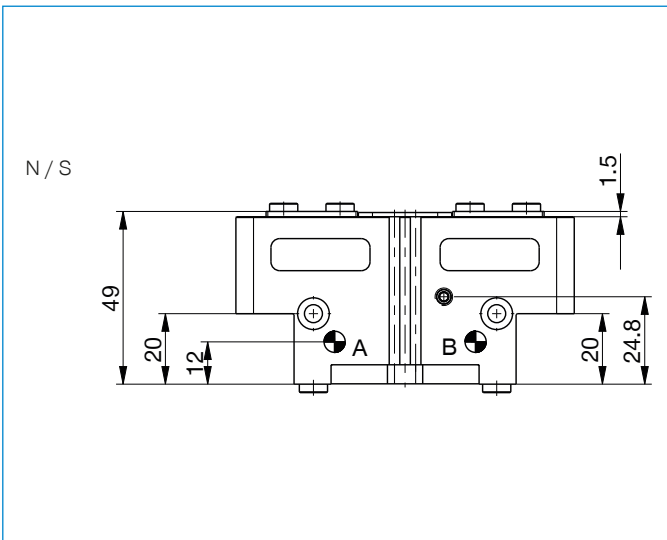
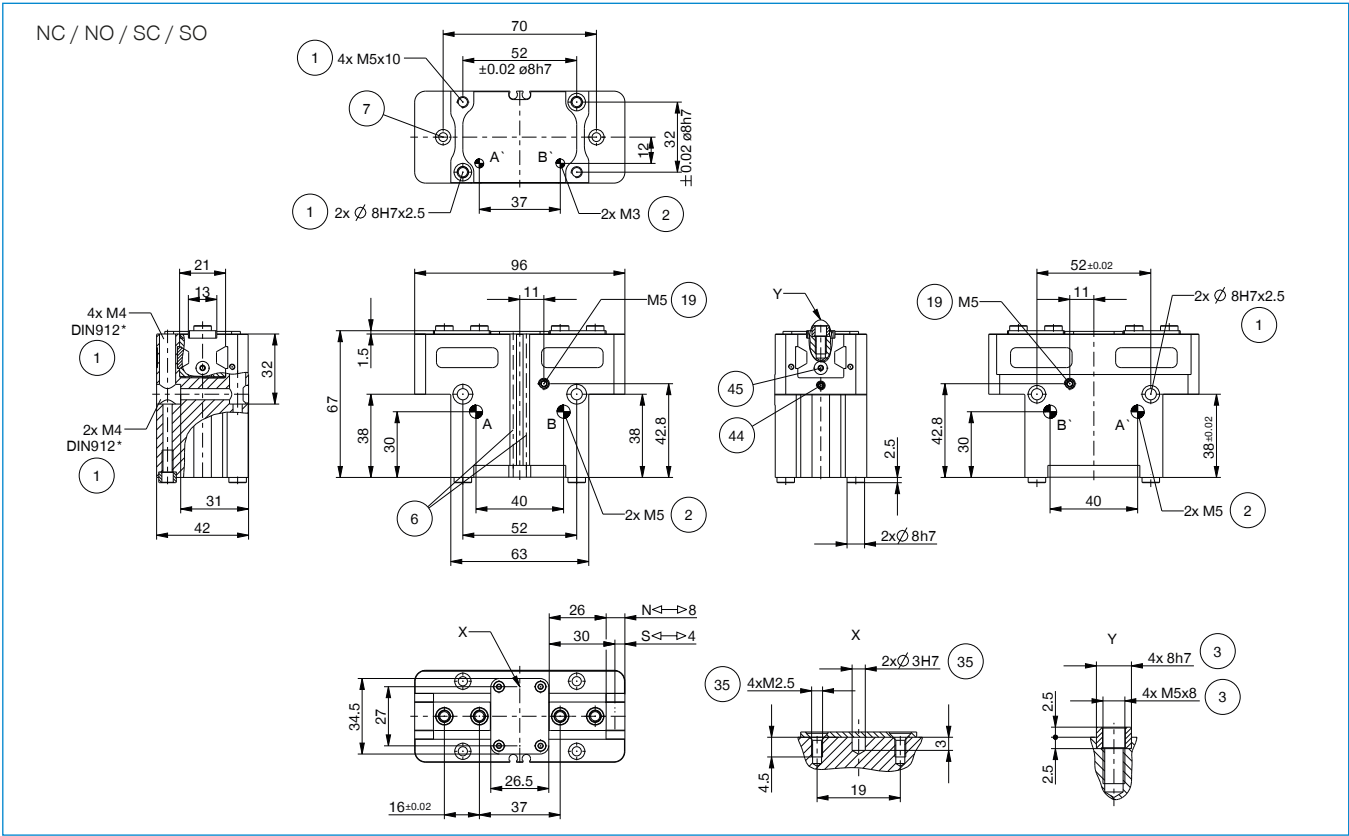
Order no.	▶ Technical Data - Protector Version					
	GPP5008NP	GPP5008NCP	GPP5008NOP	GPP5008SP	GPP5008SCP	GPP5008SOP
Protection to IEC 60529	IP67**	IP67**	IP67**	IP67**	IP67**	IP67**
Weight [kg]	0.66	0.76	0.76	0.66	0.76	0.76

Order no.	▶ Technical Data - High Temperature Version					
	GPP5008NT	GPP5008NCT	GPP5008NOT	GPP5008ST	GPP5008SCT	GPP5008SOT
Operating temperature [°C]	-10 ... +130	-10 ... +130	-10 ... +130	-10 ... +130	-10 ... +130	-10 ... +130

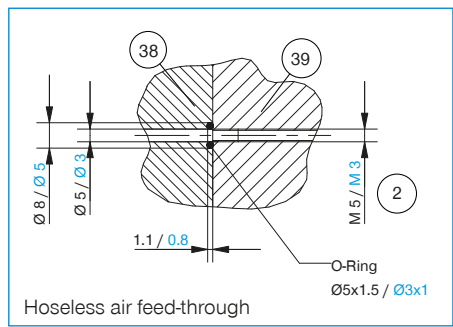
*All data measured at 6 bar

** with purged air

► TECHNICAL DRAWINGS



- ① Gripper attachment
- ② Energy supply
- ③ Fixing for gripper finger
- ⑥ Integrated slot for magnetic field sensor
- ⑦ Mounting block
- ⑱ Air purge connection option
- ⑳ Attachment option for customer-specific fittings
- ㉘ Adapter
- ㉙ Gripper
- ㉚ Clamp for sensor
- ㉛ Switch cam adjustment
- Ⓐ Air connection (close)
- Ⓑ Air connection (open)
- Ⓐ Air connection, alternative (close)
- Ⓑ Air connection, alternative (open)

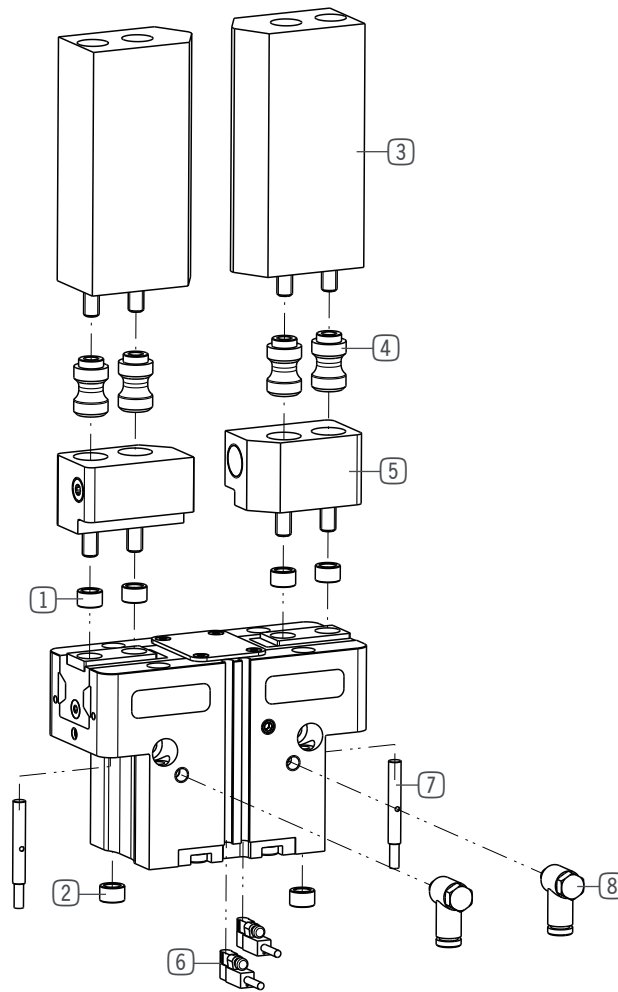


2-JAW PARALLEL GRIPPERS

INSTALLATION SIZE GPP5008

1

Installation size GPP5008 / 2-Jaw Parallel Grippers / pneumatic / Grippers



▶ INCLUDED IN DELIVERY



Centering Disc

024231

▶ RECOMMENDED ACCESSORIES



Universal jaw aluminium

UB5008AL



Universal jaw steel

UB5008ST



Changeable jaw, loose-part-set

WB5008L



Changeable jaw, fix-part

WB5008F



Magnetic field sensor Angled Cable 0,3 m - Connector M8

MFS103SKHC



Magnetic field sensor Straight Cable 0,3 m - Connector M8

MFS204SKHC



2-Position-Sensor Cable 0,3 m - Connector M8

MFSP2SKHC-01



Inductive Proximity Switch Cable 0,3 m - Connector M8

NJ4-E2SK-01



Plug-in connector Angled Cable 5m - Socket M8 (female)

KAW500



Plug-in connector Straight Cable 5m - Socket M8 (female)

KAG500



Angled Fittings - Quick Connect Style

WVM5



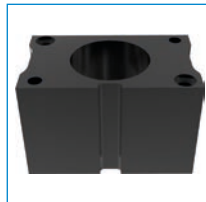
Straight Fittings - Quick Connect Style

GVM5



Pressure Safety Valve

DSV1-8



Compensation module N / S

ZUB5008PNS

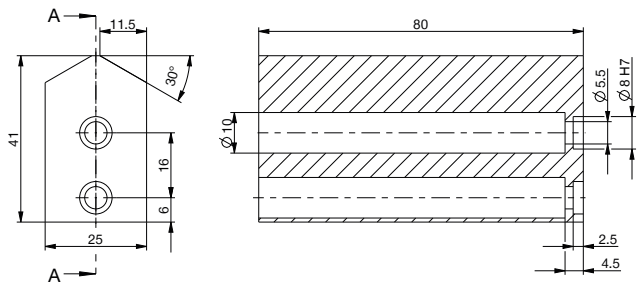


Compensation module NC / NO / SC / SO

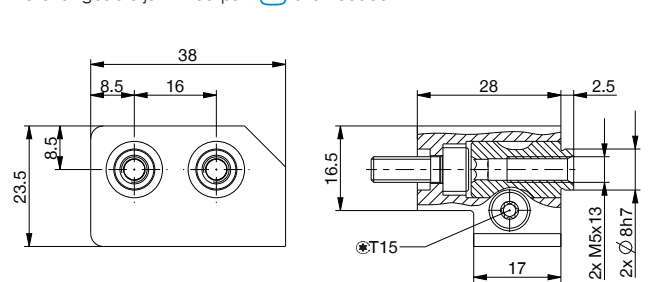
ZUB5008PCO

▶ TECHNICAL DRAWINGS ACCESSORIES

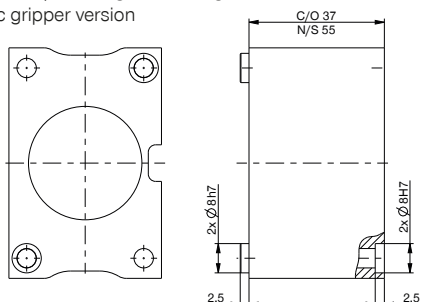
One universal jaw is required for each gripper jaw **3**



For each gripper jaw, one interchangeable jaw loose part set **4** and one interchangeable jaw fixed part **5** are needed



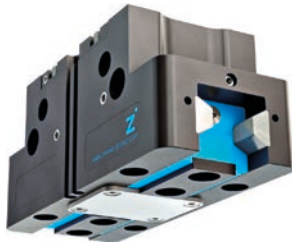
Compensation module for compensating for the height differences between the pneumatic and electric gripper version



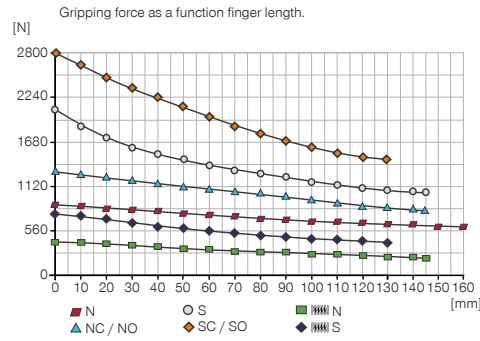
2-JAW PARALLEL GRIPPERS

INSTALLATION SIZE GPP5010

▶ PRODUCT SPECIFICATIONS

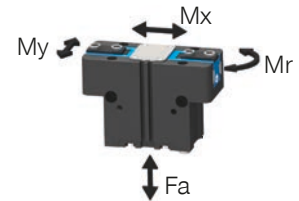


▶ Gripping force diagram



▶ Forces and moments

Displays static forces and moments that can also have an effect, besides the gripping force.



Mr [Nm]	75
Mx [Nm]	125
My [Nm]	95
Fa [N]	2700

▶ TECHNICAL DATA

Order no.	▶ Technical Data*					
	GPP5010N	GPP5010NC	GPP5010NO	GPP5010S	GPP5010SC	GPP5010SO
Stroke per jaw [mm]	10	10	10	5	5	5
Gripping force in closing [N]	885	1260		1940	2750	
Gripping force in opening [N]	945		1320	2080		2890
Gripping force secured by spring min. [N]		375	375		810	810
Closing time [s]	0.06	0.05	0.08	0.06	0.05	0.08
Opening time [s]	0.06	0.08	0.05	0.06	0.08	0.05
Weight per jaw max. [kg]	1.3	1.3	1.3	1.3	1.3	1.3
Length of the gripper fingers max. [mm]	160	145	145	145	130	130
Repetition accuracy +/- [mm]	0.01	0.01	0.01	0.01	0.01	0.01
Operating pressure min. [bar]	3	4	4	3	4	4
Operating pressure max. [bar]	8	7	7	8	7	7
Operating temperature [°C]	-10 ... +90	-10 ... +90	-10 ... +90	-10 ... +90	-10 ... +90	-10 ... +90
Air volume per cycle [cm³]	44	92	92	44	92	92
Protection to IEC 60529	IP64	IP64	IP64	IP64	IP64	IP64
Weight [kg]	0.87	1.09	1.09	0.87	1.09	1.09

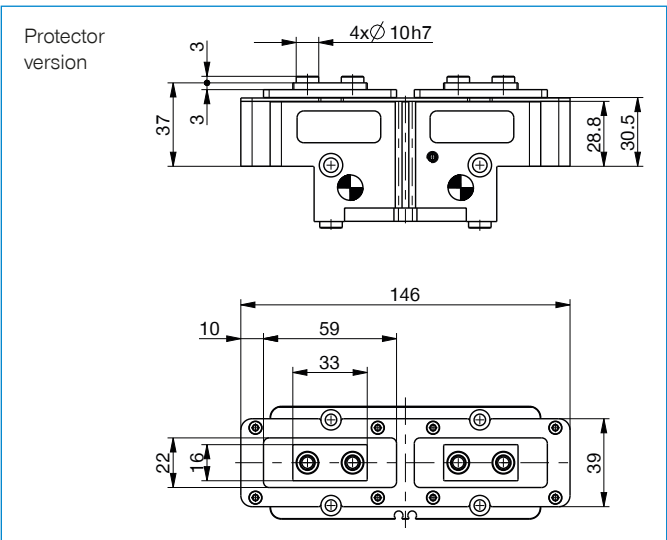
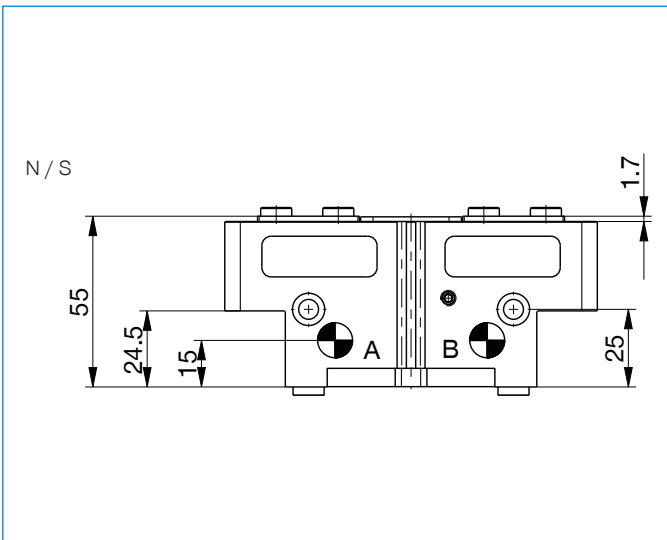
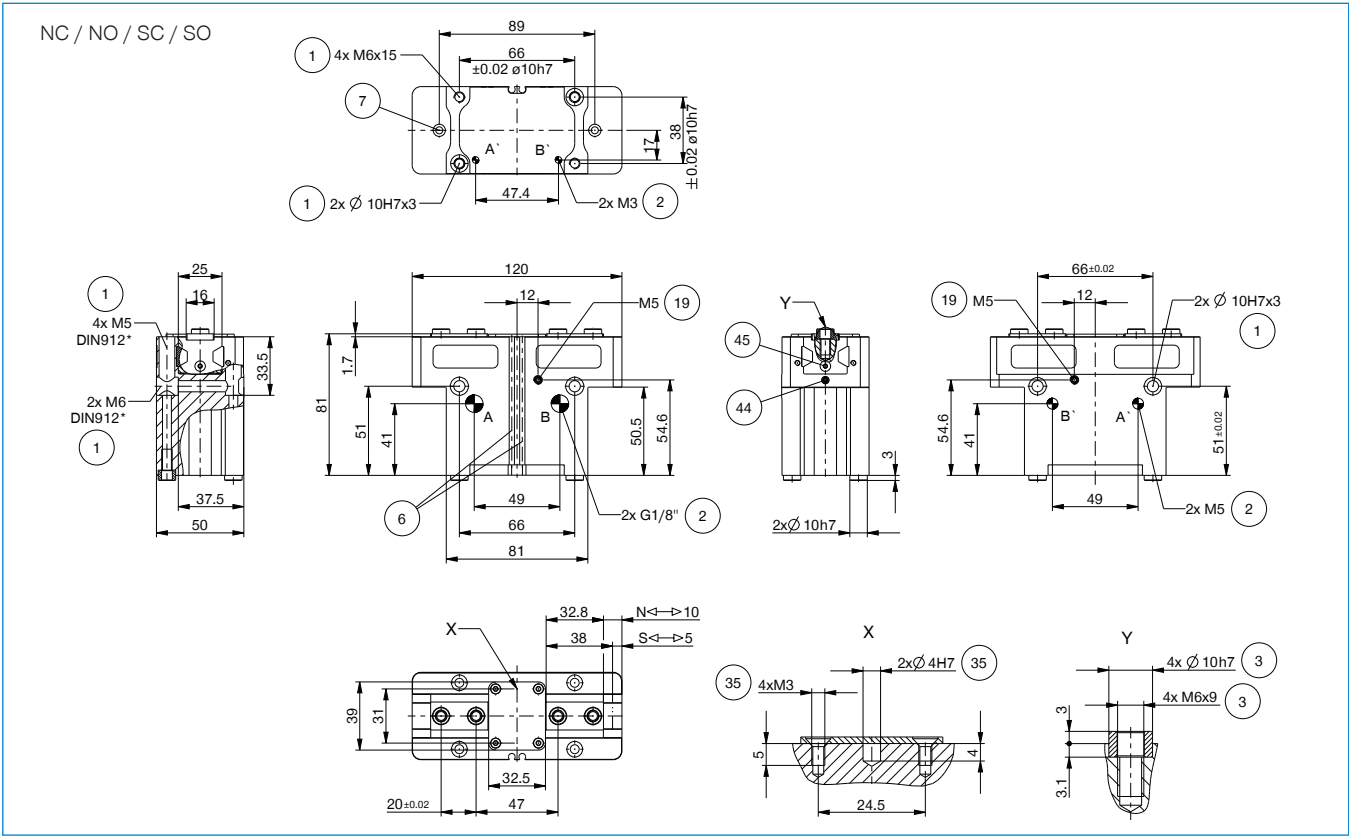
Order no.	▶ Technical Data - Protector Version					
	GPP5010NP	GPP5010NCP	GPP5010NOP	GPP5010SP	GPP5010SCP	GPP5010SOP
Protection to IEC 60529	IP67**	IP67**	IP67**	IP67**	IP67**	IP67**
Weight [kg]	0.99	1.31	1.31	0.99	1.31	1.31

Order no.	▶ Technical Data - High Temperature Version					
	GPP5010NT	GPP5010NCT	GPP5010NOT	GPP5010ST	GPP5010SCT	GPP5010SOT
Operating temperature [°C]	-10 ... +130	-10 ... +130	-10 ... +130	-10 ... +130	-10 ... +130	-10 ... +130

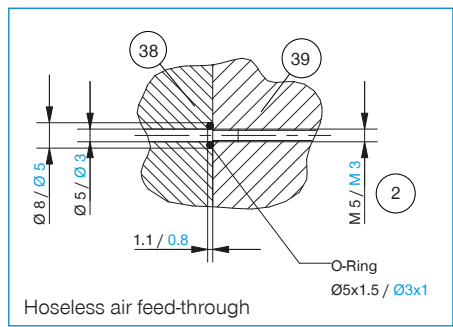
*All data measured at 6 bar

** with purged air

► TECHNICAL DRAWINGS



- ① Gripper attachment
- ② Energy supply
- ③ Fixing for gripper finger
- ⑥ Integrated slot for magnetic field sensor
- ⑦ Mounting block
- ⑱ Air purge connection option
- ⑳ Attachment option for customer-specific fittings
- ㉑ Adapter
- ㉒ Gripper
- ㉓ Clamp for sensor
- ㉔ Switch cam adjustment
- Ⓐ Air connection (close)
- Ⓑ Air connection (open)
- Ⓐ Air connection, alternative (close)
- Ⓑ Air connection, alternative (open)

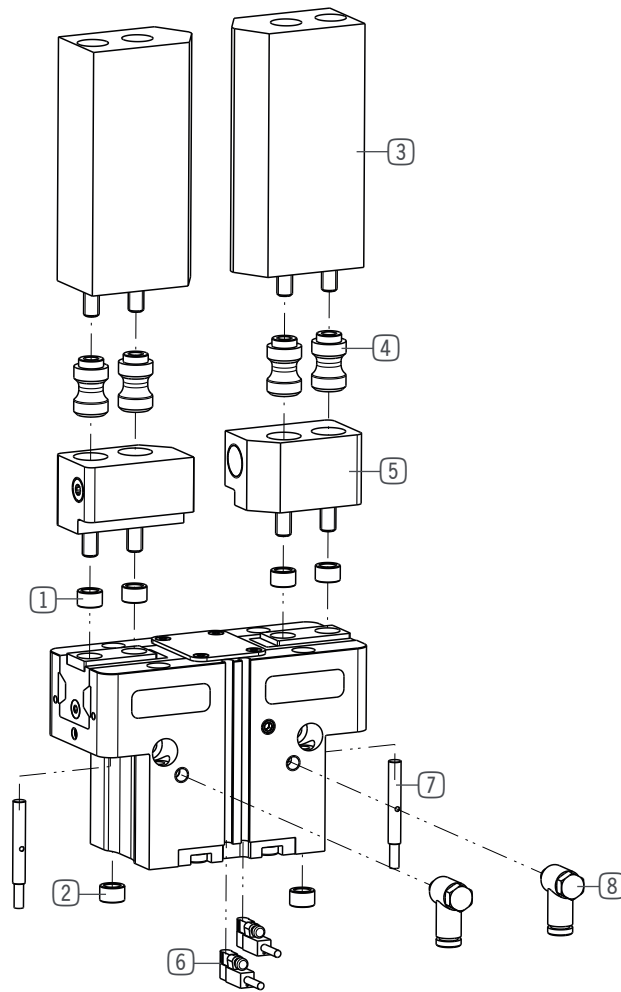


2-JAW PARALLEL GRIPPERS

INSTALLATION SIZE GPP5010

1

Installation size GPP5010 / 2-Jaw Parallel Grippers / pneumatic / Grippers



▶ INCLUDED IN DELIVERY



Centering Disc

018187

► RECOMMENDED ACCESSORIES



Universal jaw aluminium

UB5010AL



Universal jaw steel

UB5010ST



Changeable jaw, loose-part-set

WB5010L



Changeable jaw, fix-part

WB5010F



Magnetic field sensor Angled Cable 0,3 m - Connector M8

MFS103SKHC



Magnetic field sensor Straight Cable 0,3 m - Connector M8

MFS204SKHC



2-Position-Sensor Cable 0,3 m - Connector M8

MFSP2SKHC-01



Inductive Proximity Switch Cable 0,3 m - Connector M8

NJ4-E2SK-01



Plug-in connector Angled Cable 5m - Socket M8 (female)

KAW500



Plug-in connector Straight Cable 5m - Socket M8 (female)

KAG500



Angled Fittings - Quick Connect Style

WV1-8X6



Straight Fittings - Quick Connect Style

GV1-8X6



Pressure Safety Valve

DSV1-8



Compensation module N / S

ZUB5010PNS

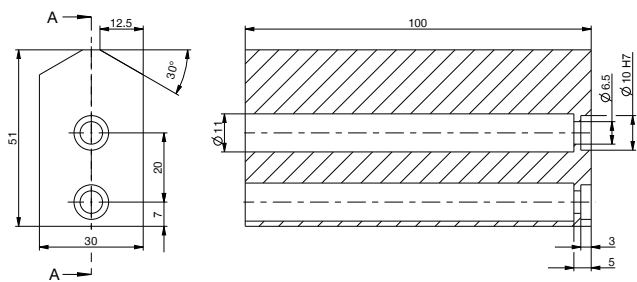


Compensation module NC / NO / SC / SO

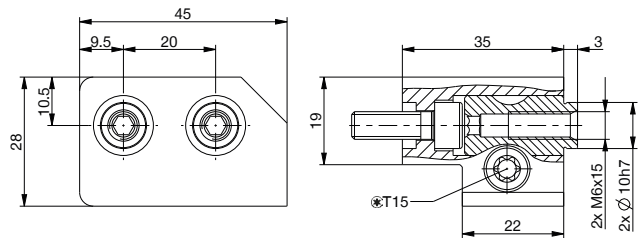
ZUB5010PCO

► TECHNICAL DRAWINGS ACCESSORIES

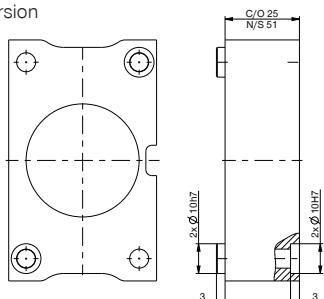
One universal jaw is required for each gripper jaw **3**



For each gripper jaw, one interchangeable jaw loose part set **4** and one interchangeable jaw fixed part **5** are needed



Compensation module for compensating for the height differences between the pneumatic and electric gripper version



2-JAW PARALLEL GRIPPERS

INSTALLATION SIZE GPP5013

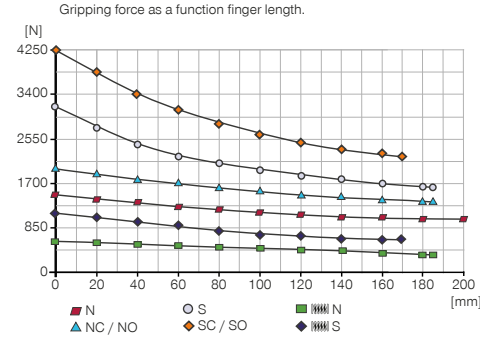
1

Installation size GPP5013 / 2-Jaw Parallel Grippers / pneumatic / Grippers

▶ PRODUCT SPECIFICATIONS

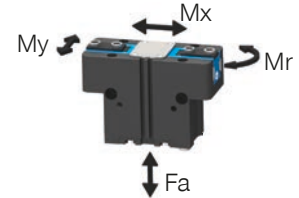


▶ Gripping force diagram



▶ Forces and moments

Displays static forces and moments that can also have an effect, besides the gripping force.



Mr [Nm]	110
Mx [Nm]	150
My [Nm]	130
Fa [N]	3300

▶ TECHNICAL DATA

Order no.	▶ Technical Data*					
	GPP5013N	GPP5013NC	GPP5013NO	GPP5013S	GPP5013SC	GPP5013SO
Stroke per jaw [mm]	13	13	13	6	6	6
Gripping force in closing [N]	1410	1920		3100	4220	
Gripping force in opening [N]	1490		1860	3280		4400
Gripping force secured by spring min. [N]		510	510		1120	1120
Closing time [s]	0.09	0.07	0.11	0.09	0.07	0.11
Opening time [s]	0.09	0.11	0.08	0.09	0.11	0.08
Weight per jaw max. [kg]	2.4	2.4	2.4	2.4	2.4	2.4
Length of the gripper fingers max. [mm]	200	185	185	185	170	170
Repetition accuracy +/- [mm]	0.01	0.01	0.01	0.01	0.01	0.01
Operating pressure min. [bar]	3	4	4	3	4	4
Operating pressure max. [bar]	8	7	7	8	7	7
Operating temperature [°C]	-10 ... +90	-10 ... +90	-10 ... +90	-10 ... +90	-10 ... +90	-10 ... +90
Air volume per cycle [cm³]	88	171	171	88	171	171
Protection to IEC 60529	IP64	IP64	IP64	IP64	IP64	IP64
Weight [kg]	1.5	1.9	1.9	1.5	1.9	1.9

Order no.	▶ Technical Data - Protector Version					
	GPP5013NP	GPP5013NCP	GPP5013NOP	GPP5013SP	GPP5013SCP	GPP5013SOP
Protection to IEC 60529	IP67**	IP67**	IP67**	IP67**	IP67**	IP67**
Weight [kg]	1.86	2.26	2.26	1.86	2.26	2.26

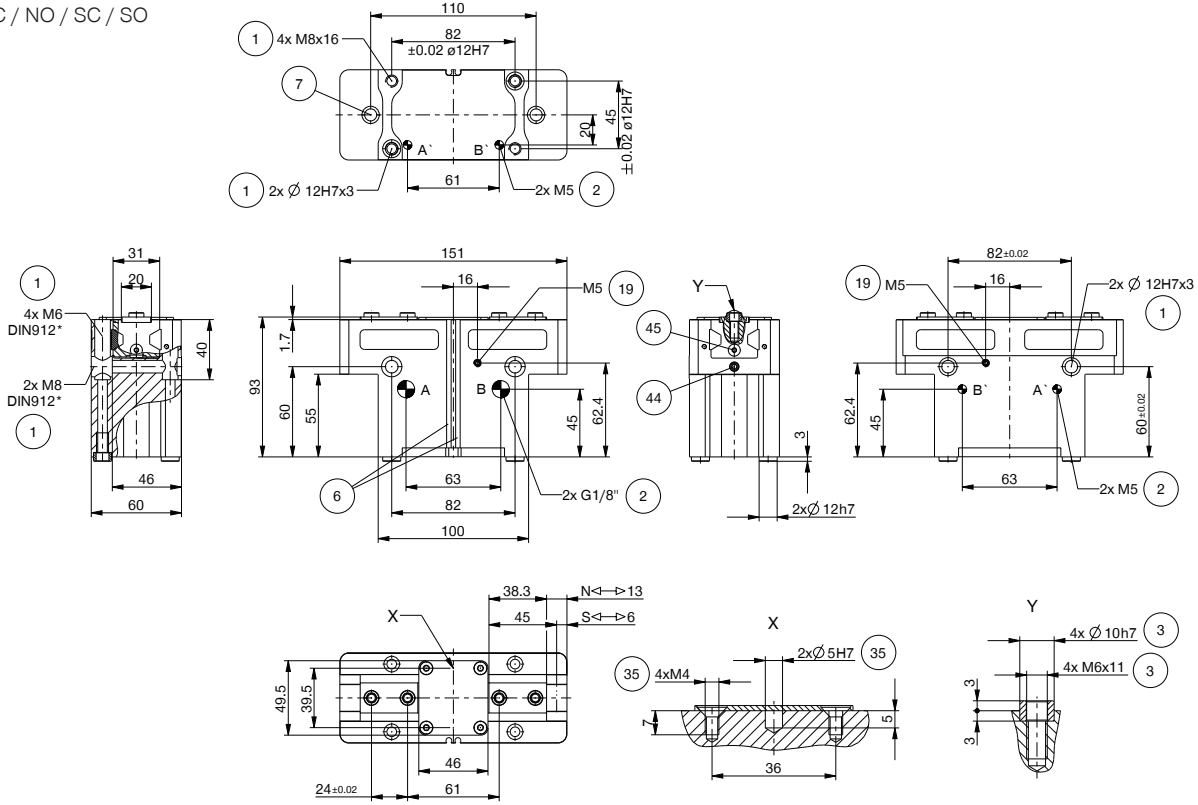
Order no.	▶ Technical Data - High Temperature Version					
	GPP5013NT	GPP5013NCT	GPP5013NOT	GPP5013ST	GPP5013SCT	GPP5013SOT
Operating temperature [°C]	-10 ... +130	-10 ... +130	-10 ... +130	-10 ... +130	-10 ... +130	-10 ... +130

*All data measured at 6 bar

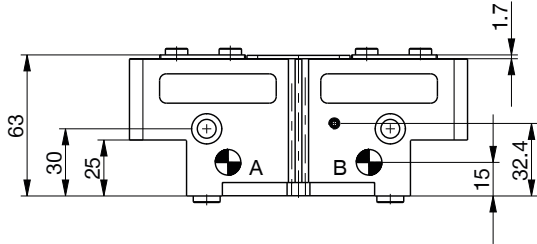
** with purged air

► TECHNICAL DRAWINGS

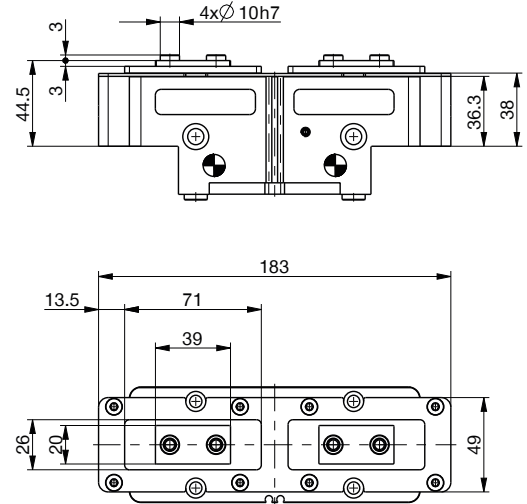
NC / NO / SC / SO



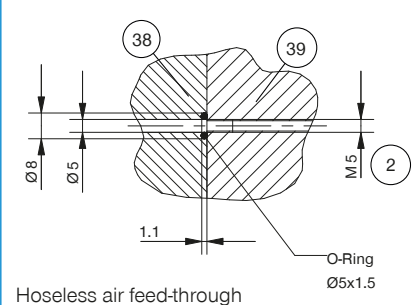
N / S



Protector version



- ① Gripper attachment
- ② Energy supply
- ③ Fixing for gripper finger
- ⑥ Integrated slot for magnetic field sensor
- ⑦ Mounting block
- ⑱ Air purge connection option
- ⑳ Attachment option for customer-specific fittings
- ㉘ Adapter
- ㉙ Gripper
- ㉚ Clamp for sensor
- ㉛ Switch cam adjustment
- Ⓐ Air connection (close)
- Ⓑ Air connection (open)
- Ⓐ Air connection, alternative (close)
- Ⓑ Air connection, alternative (open)

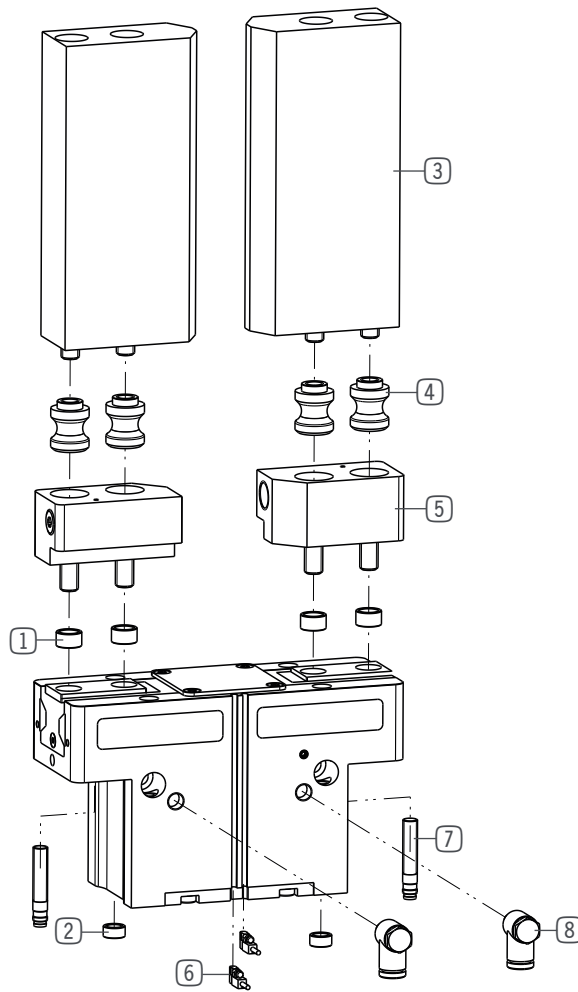


2-JAW PARALLEL GRIPPERS

INSTALLATION SIZE GPP5013

1

Installation size GPP5013 / 2-Jaw Parallel Grippers / pneumatic / Grippers



▶ INCLUDED IN DELIVERY



Centering Disc

018187



Centering Disc

019280

▶ RECOMMENDED ACCESSORIES



Universal jaw aluminium

UB5013AL



Universal jaw steel

UB5013ST



Changeable jaw, loose-part-set

WB5013L



Changeable jaw, fix-part

WB5013F



Magnetic field sensor Angled Cable 0,3 m - Connector M8

MFS103SKHC



Magnetic field sensor Straight Cable 0,3 m - Connector M8

MFS204SKHC



2-Position-Sensor Cable 0,3 m - Connector M8

MFSP2SKHC-01



Inductive proximity switch - Connector M8

NJ8-E2S



Plug-in connector Angled Cable 5m - Socket M8 (female)

KAW500



Plug-in connector Straight Cable 5m - Socket M8 (female)

KAG500



Plug-in connector customizable Straight - Connector M8

S8-G-3



Angled Fittings - Quick Connect Style

WV1-8X6



Straight Fittings - Quick Connect Style

GV1-8X6



Quick Exhaust Valve

DEV06

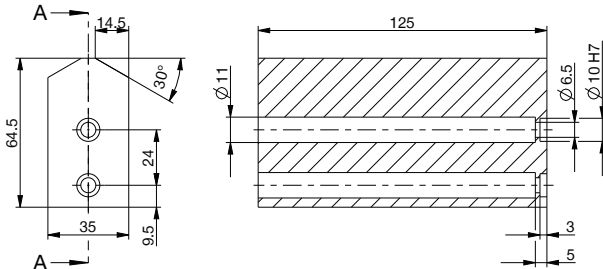


Pressure Safety Valve

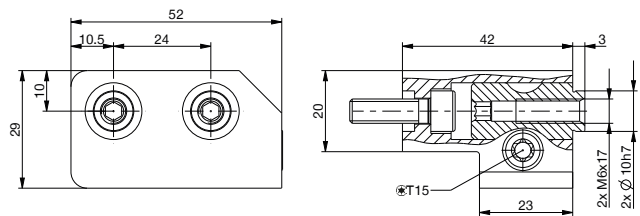
DSV1-8

▶ TECHNICAL DRAWINGS ACCESSORIES

One universal jaw is required for each gripper jaw **3**
A-A



For each gripper jaw, one interchangeable jaw loose part set **4** and one interchangeable jaw fixed part **5** are needed



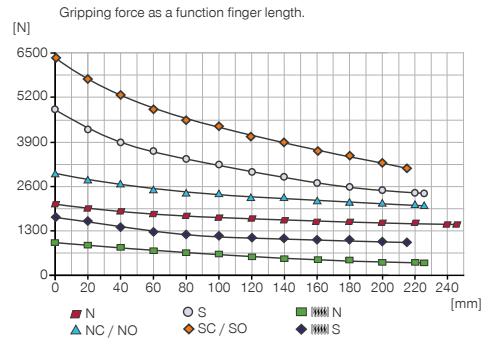
2-JAW PARALLEL GRIPPERS

INSTALLATION SIZE GPP5016

▶ PRODUCT SPECIFICATIONS

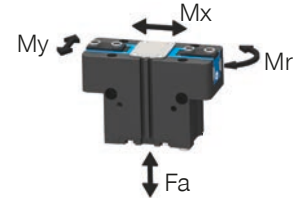


▶ Gripping force diagram



▶ Forces and moments

Displays static forces and moments that can also have an effect, besides the gripping force.



Mr [Nm]	145
Mx [Nm]	195
My [Nm]	185
Fa [N]	5200

▶ TECHNICAL DATA

Order no.	▶ Technical Data*					
	GPP5016N	GPP5016NC	GPP5016NO	GPP5016S	GPP5016SC	GPP5016SO
Stroke per jaw [mm]	16	16	16	8	8	8
Gripping force in closing [N]	2090	2860		4610	6310	
Gripping force in opening [N]	2220		2990	4900		6600
Gripping force secured by spring min. [N]		770	770		1700	1700
Closing time [s]	0.13	0.11	0.24	0.13	0.11	0.24
Opening time [s]	0.13	0.24	0.11	0.13	0.24	0.11
Weight per jaw max. [kg]	3.8	3.8	3.8	3.8	3.8	3.8
Length of the gripper fingers max. [mm]	245	225	225	225	215	215
Repetition accuracy +/- [mm]	0.01	0.01	0.01	0.01	0.01	0.01
Operating pressure min. [bar]	3	4	4	3	4	4
Operating pressure max. [bar]	8	7	7	8	7	7
Operating temperature [°C]	-10 ... +90	-10 ... +90	-10 ... +90	-10 ... +90	-10 ... +90	-10 ... +90
Air volume per cycle [cm³]	166	332	332	166	332	332
Protection to IEC 60529	IP64	IP64	IP64	IP64	IP64	IP64
Weight [kg]	2.9	3.7	3.7	2.9	3.7	3.7

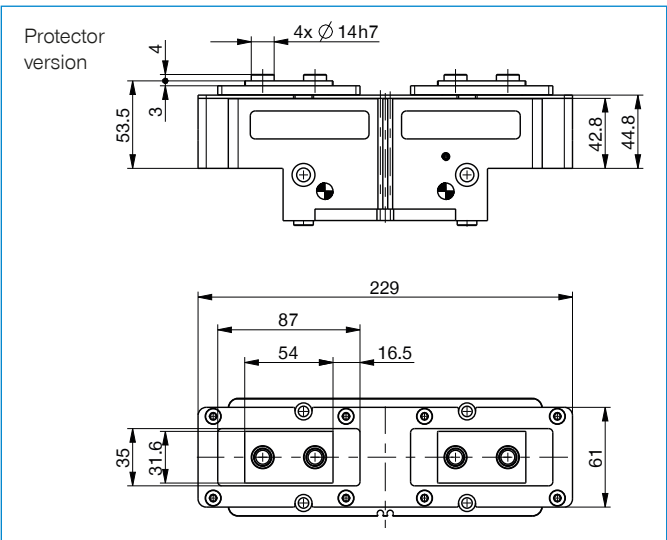
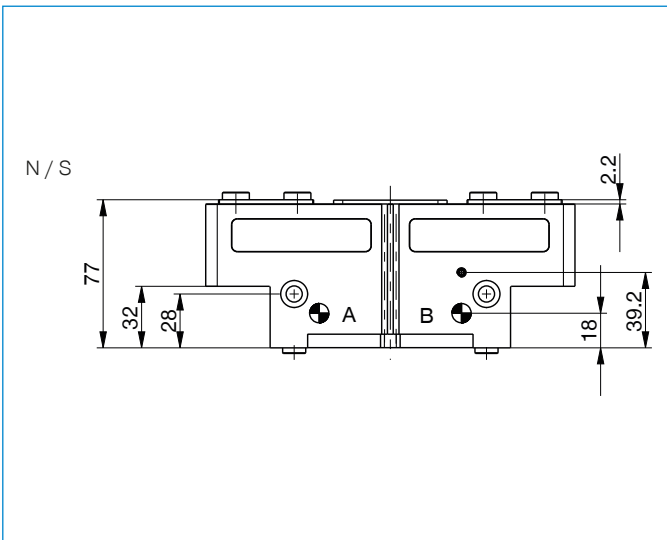
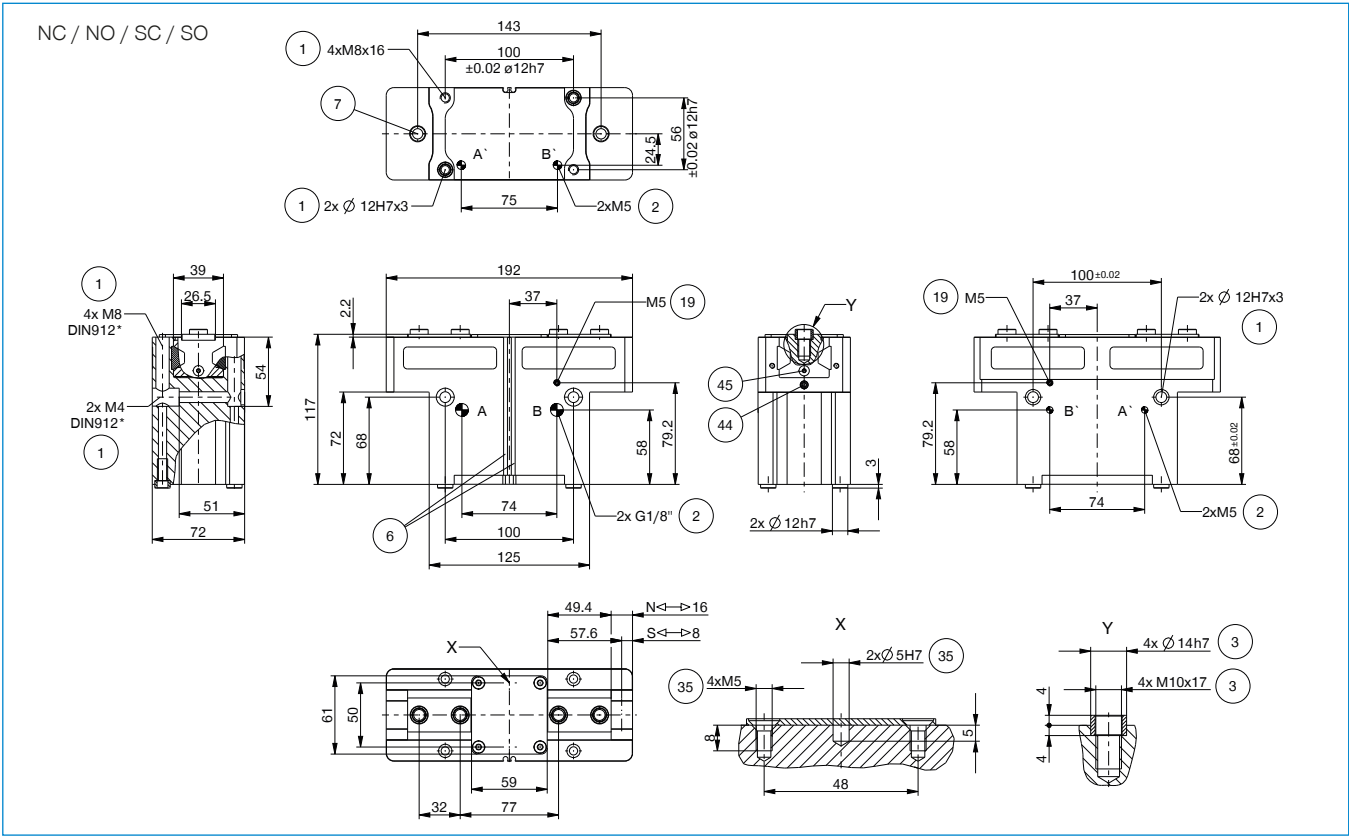
Order no.	▶ Technical Data - Protector Version					
	GPP5016NP	GPP5016NCP	GPP5016NOP	GPP5016SP	GPP5016SCP	GPP5016SOP
Protection to IEC 60529	IP67**	IP67**	IP67**	IP67**	IP67**	IP67**
Weight [kg]	3.6	4.4	4.4	3.6	4.4	4.4

Order no.	▶ Technical Data - High Temperature Version					
	GPP5016NT	GPP5016NCT	GPP5016NOT	GPP5016ST	GPP5016SCT	GPP5016SOT
Operating temperature [°C]	-10 ... +130	-10 ... +130	-10 ... +130	-10 ... +130	-10 ... +130	-10 ... +130

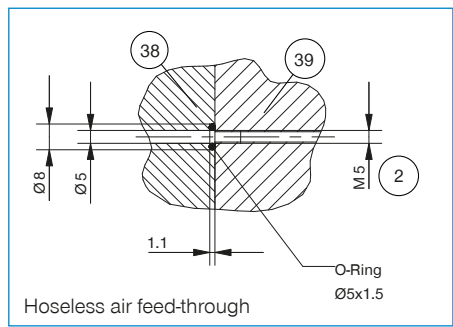
*All data measured at 6 bar

** with purged air

► TECHNICAL DRAWINGS



- ① Gripper attachment
- ② Energy supply
- ③ Fixing for gripper finger
- ⑥ Integrated slot for magnetic field sensor
- ⑦ Mounting block
- ⑱ Air purge connection option
- ⑳ Attachment option for customer-specific fittings
- ㉑ Adapter
- ㉒ Gripper
- ㉓ Clamp for sensor
- ㉔ Switch cam adjustment
- Ⓐ Air connection (close)
- Ⓑ Air connection (open)
- Ⓐ Air connection, alternative (close)
- Ⓑ Air connection, alternative (open)

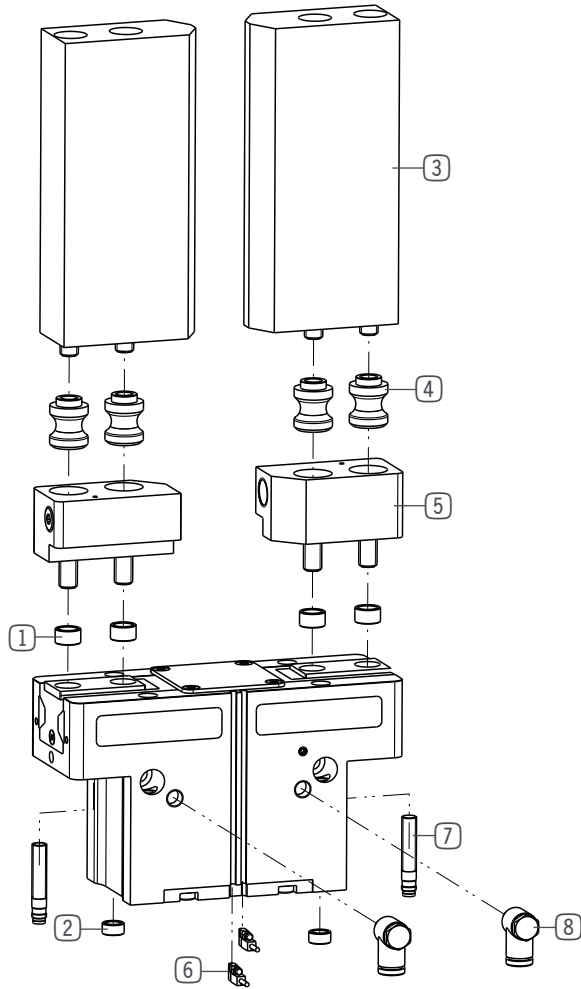


2-JAW PARALLEL GRIPPERS

INSTALLATION SIZE GPP5016

1

Installation size GPP5016 / 2-Jaw Parallel Grippers / pneumatic / Grippers



▶ INCLUDED IN DELIVERY



Centering Disc

019387



Centering Disc

019280

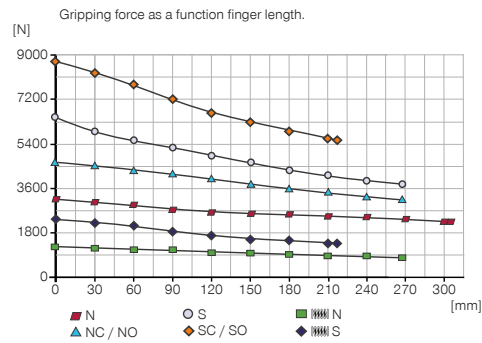
2-JAW PARALLEL GRIPPERS

INSTALLATION SIZE GPP5025

▶ PRODUCT SPECIFICATIONS

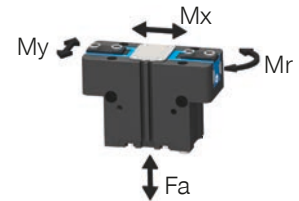


▶ Gripping force diagram



▶ Forces and moments

Displays static forces and moments that can also have an effect, besides the gripping force.



Mr [Nm]	180
Mx [Nm]	205
My [Nm]	225
Fa [N]	7500

▶ TECHNICAL DATA

Order no.	▶ Technical Data*					
	GPP5025N	GPP5025NC	GPP5025NO	GPP5025S	GPP5025SC	GPP5025SO
Stroke per jaw [mm]	25	25	25	14	14	14
Gripping force in closing [N]	3280	4510		6360	8730	
Gripping force in opening [N]	3490		4710	6760		9130
Gripping force secured by spring min. [N]		1220	1220		2370	2370
Closing time [s]	0.33	0.28	0.57	0.33	0.28	0.57
Opening time [s]	0.33	0.57	0.28	0.33	0.57	0.28
Weight per jaw max. [kg]	7	7	7	7	7	7
Length of the gripper fingers max. [mm]	310	265	265	265	220	220
Repetition accuracy +/- [mm]	0.04	0.04	0.04	0.04	0.04	0.04
Operating pressure min. [bar]	3	4	4	3	4	4
Operating pressure max. [bar]	8	7	7	8	7	7
Operating temperature [°C]	-10 ... +90	-10 ... +90	-10 ... +90	-10 ... +90	-10 ... +90	-10 ... +90
Air volume per cycle [cm³]	420	830	830	420	830	830
Protection to IEC 60529	IP64	IP64	IP64	IP64	IP64	IP64
Weight [kg]	6.1	7.65	7.65	6.1	7.65	7.65

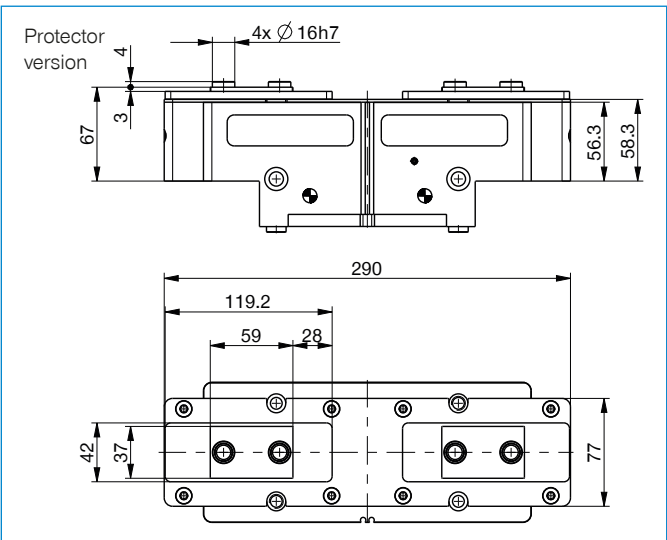
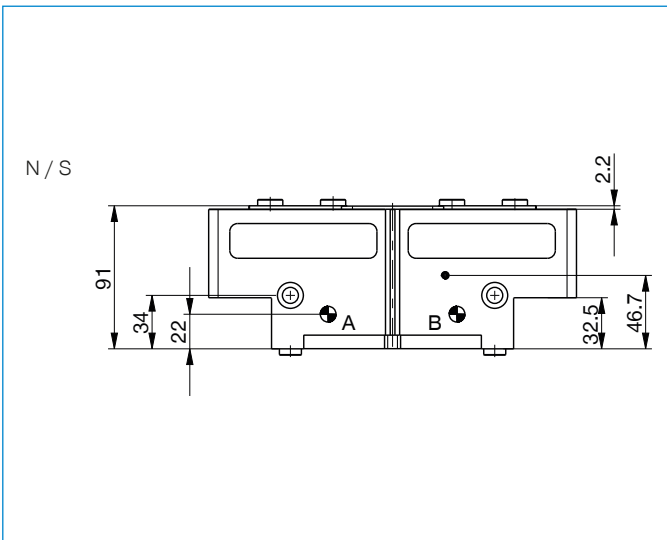
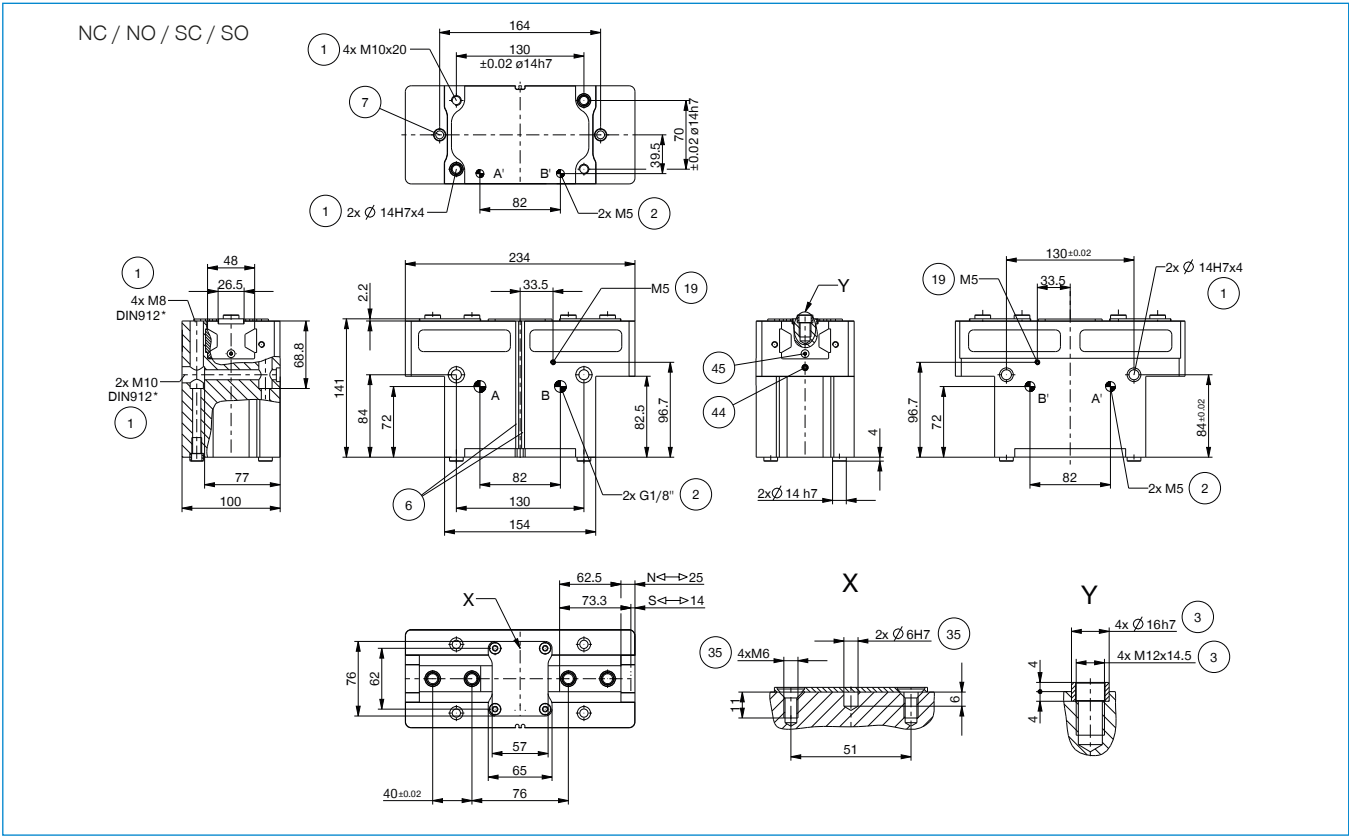
Order no.	▶ Technical Data - Protector Version					
	GPP5025NP	GPP5025NCP	GPP5025NOP	GPP5025SP	GPP5025SCP	GPP5025SOP
Protection to IEC 60529	IP67**	IP67**	IP67**	IP67**	IP67**	IP67**
Weight [kg]	7.20	8.75	8.75	7.2	8.75	8.75

Order no.	▶ Technical Data - High Temperature Version					
	GPP5025NT	GPP5025NCT	GPP5025NOT	GPP5025ST	GPP5025SCT	GPP5025SOT
Operating temperature [°C]	-10 ... +130	-10 ... +130	-10 ... +130	-10 ... +130	-10 ... +130	-10 ... +130

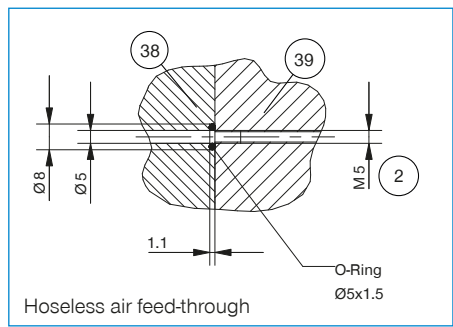
*All data measured at 6 bar

** with purged air

▶ TECHNICAL DRAWINGS



- ① Gripper attachment
- ② Energy supply
- ③ Fixing for gripper finger
- ⑥ Integrated slot for magnetic field sensor
- ⑦ Mounting block
- ⑱ Air purge connection option
- ⑳ Attachment option for customer-specific fittings
- ㉑ Adapter
- ㉒ Gripper
- ㉓ Clamp for sensor
- ㉔ Switch cam adjustment
- Ⓐ Air connection (close)
- Ⓑ Air connection (open)
- Ⓐ Air connection, alternative (close)
- Ⓑ Air connection, alternative (open)

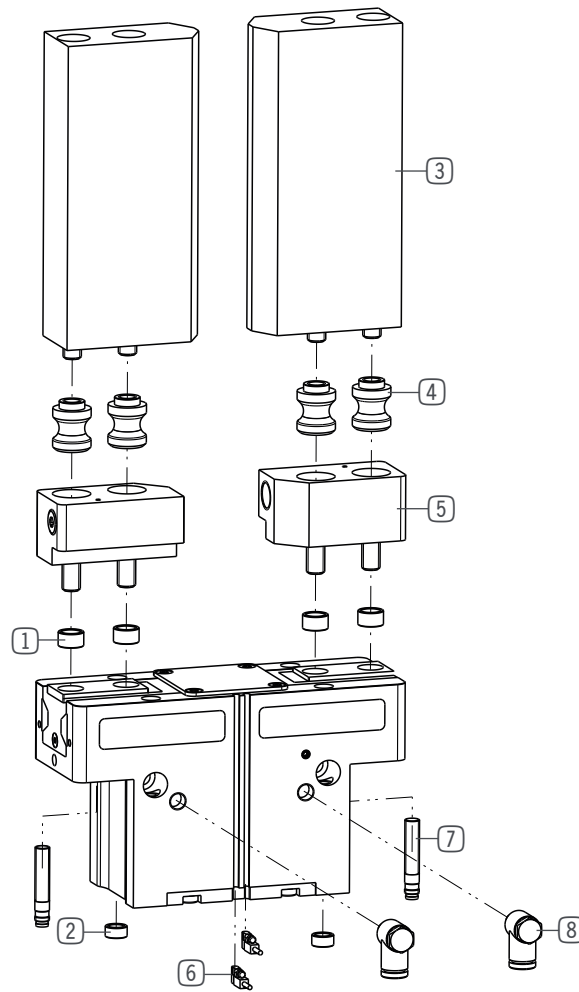


2-JAW PARALLEL GRIPPERS

INSTALLATION SIZE GPP5025

1

Installation size GPP5025 / 2-Jaw Parallel Grippers / pneumatic / Grippers



▶ INCLUDED IN DELIVERY



Centering Disc

030529



Centering Disc

019387

► RECOMMENDED ACCESSORIES



Universal jaw aluminium

UB5025AL



Universal jaw steel

UB5025ST



Changeable jaw, loose-part-set

WB5025L



Changeable jaw, fix-part

WB5025F



Magnetic field sensor Angled Cable 0,3 m - Connector M8

MFS103SKHC



Magnetic field sensor Straight Cable 0,3 m - Connector M8

MFS204SKHC



2-Position-Sensor Cable 0,3 m - Connector M8

MFSP2SKHC-01



Inductive proximity switch - Connector M8

NJ8-E2S



Plug-in connector Angled Cable 5m - Socket M8 (female)

KAW500



Plug-in connector Straight Cable 5m - Socket M8 (female)

KAG500



Plug-in connector customizable Straight - Connector M8

S8-G-3



Angled Fittings - Quick Connect Style

WV1-8X8



Straight Fittings - Quick Connect Style

GV1-8X8



Quick Exhaust Valve

DEV08

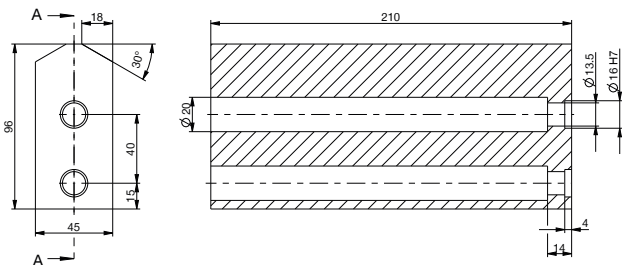


Pressure Safety Valve

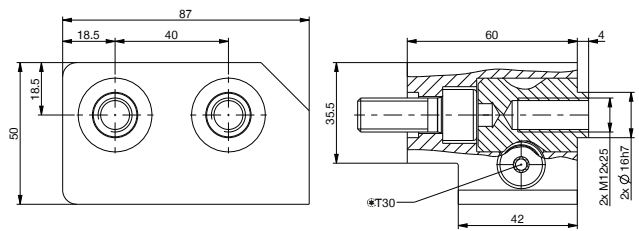
DSV1-8

► TECHNICAL DRAWINGS ACCESSORIES

One universal jaw is required for each gripper jaw **(3)**
A-A



For each gripper jaw, one interchangeable jaw loose part set **(4)** and one interchangeable jaw fixed part **(5)** are needed



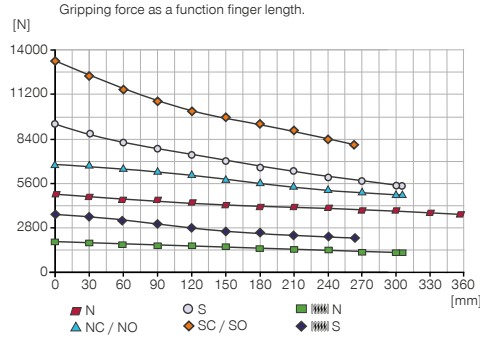
2-JAW PARALLEL GRIPPERS

INSTALLATION SIZE GPP5030

▶ PRODUCT SPECIFICATIONS

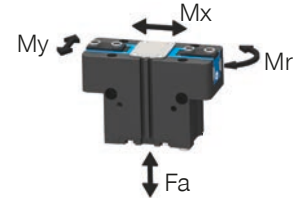


▶ Gripping force diagram



▶ Forces and moments

Displays static forces and moments that can also have an effect, besides the gripping force.



Mr [Nm]	210
Mx [Nm]	290
My [Nm]	310
Fa [N]	9500

▶ TECHNICAL DATA

Order no.	▶ Technical Data*					
	GPP5030N	GPP5030NC	GPP5030NO	GPP5030S	GPP5030SC	GPP5030SO
Stroke per jaw [mm]	30	30	30	17	17	17
Gripping force in closing [N]	5000	6850		9600	13160	
Gripping force in opening [N]	5210		7060	9990		13550
Gripping force secured by spring min. [N]		1850	1850		3560	3560
Closing time [s]	0.4	0.35	0.65	0.4	0.35	0.65
Opening time [s]	0.4	0.65	0.35	0.4	0.65	0.35
Weight per jaw max. [kg]	9.5	9.5	9.5	9.5	9.5	9.5
Length of the gripper fingers max. [mm]	355	305	305	305	260	260
Repetition accuracy +/- [mm]	0.04	0.04	0.04	0.04	0.04	0.04
Operating pressure min. [bar]	3	4	4	3	4	4
Operating pressure max. [bar]	8	7	7	8	7	7
Operating temperature [°C]	-10 ... +90	-10 ... +90	-10 ... +90	-10 ... +90	-10 ... +90	-10 ... +90
Air volume per cycle [cm³]	745	1430	1430	745	1430	1430
Protection to IEC 60529	IP64	IP64	IP64	IP64	IP64	IP64
Weight [kg]	9.2	12	12	9.2	12	12

Order no.	▶ Technical Data - Protector Version					
	GPP5030NP	GPP5030NCP	GPP5030NOP	GPP5030SP	GPP5030SCP	GPP5030SOP
Protection to IEC 60529	IP67**	IP67**	IP67**	IP67**	IP67**	IP67**
Weight [kg]	10.9	13.7	13.7	10.9	13.7	13.7

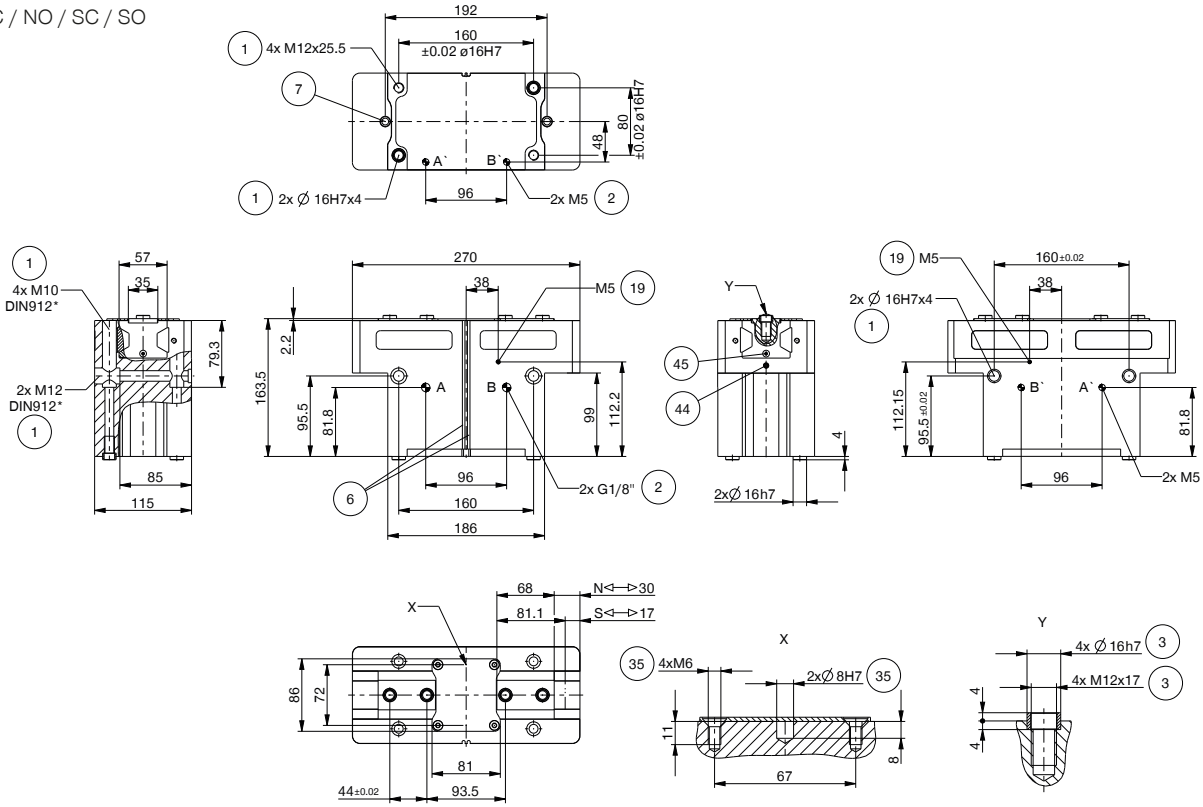
Order no.	▶ Technical Data - High Temperature Version					
	GPP5030NT	GPP5030NCT	GPP5030NOT	GPP5030ST	GPP5030SCT	GPP5030SOT
Operating temperature [°C]	-10 ... +130	-10 ... +130	-10 ... +130	-10 ... +130	-10 ... +130	-10 ... +130

*All data measured at 6 bar

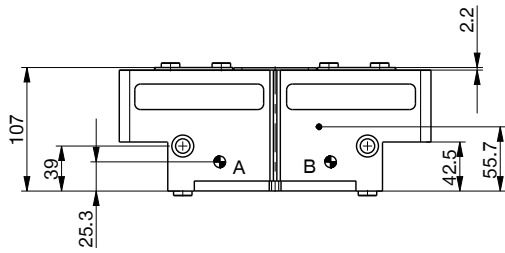
** with purged air

► TECHNICAL DRAWINGS

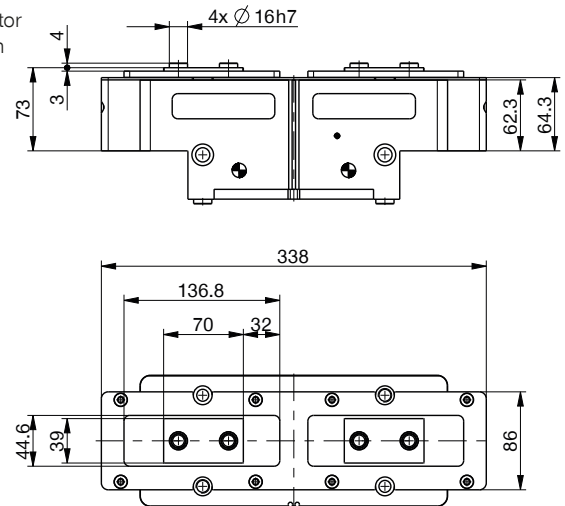
NC / NO / SC / SO



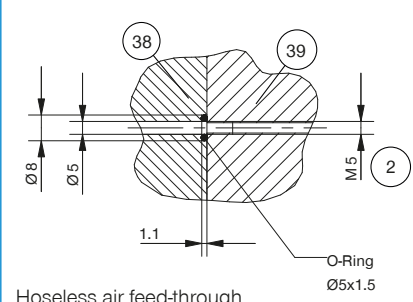
N / S



Protector version



- ① Gripper attachment
- ② Energy supply
- ③ Fixing for gripper finger
- ⑥ Integrated slot for magnetic field sensor
- ⑦ Mounting block
- ⑱ Air purge connection option
- ⑳ Attachment option for customer-specific fittings
- ㉑ Adapter
- ㉒ Gripper
- ㉓ Clamp for sensor
- ㉔ Switch cam adjustment
- Ⓐ Air connection (close)
- Ⓑ Air connection (open)
- Ⓐ Air connection, alternative (close)
- Ⓑ Air connection, alternative (open)

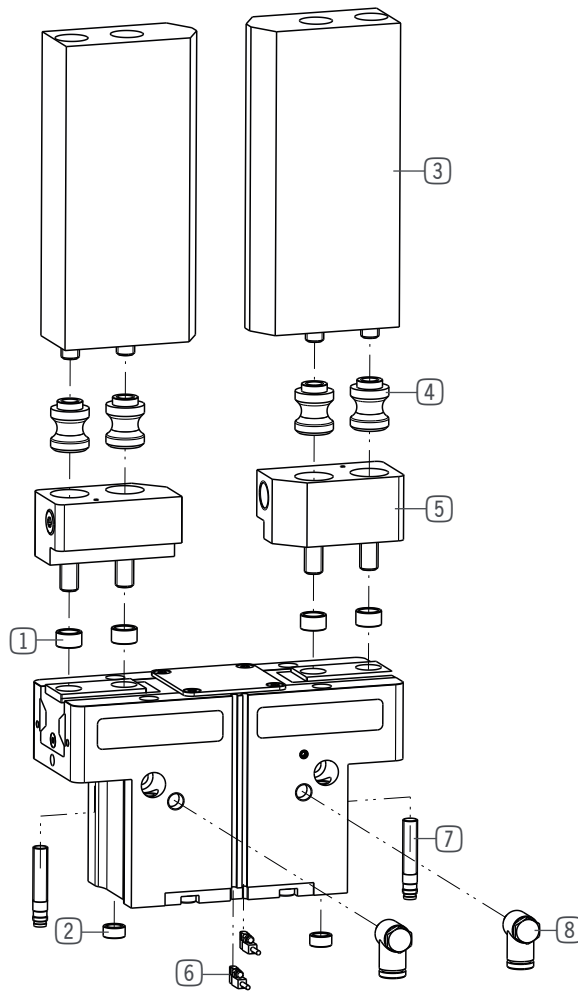


2-JAW PARALLEL GRIPPERS

INSTALLATION SIZE GPP5030

1

Installation size GPP5030 / 2-Jaw Parallel Grippers / pneumatic / Grippers



▶ INCLUDED IN DELIVERY



Centering Disc

030529

► RECOMMENDED ACCESSORIES



Universal jaw aluminium

UB5030AL



Universal jaw steel

UB5030ST



Changeable jaw, loose-part-set

WB5030L



Changeable jaw, fix-part

WB5030F



Magnetic field sensor Angled Cable 0,3 m - Connector M8

MFS103SKHC



Magnetic field sensor Straight Cable 0,3 m - Connector M8

MFS204SKHC



2-Position-Sensor Cable 0,3 m - Connector M8

MFSP2SKHC-01



Inductive proximity switch - Connector M8

NJ8-E2S



Plug-in connector Angled Cable 5m - Socket M8 (female)

KAW500



Plug-in connector Straight Cable 5m - Socket M8 (female)

KAG500



Plug-in connector customizable Straight - Connector M8

S8-G-3



Angled Fittings - Quick Connect Style

WV1-8X8



Straight Fittings - Quick Connect Style

GV1-8X8



Quick Exhaust Valve

DEV08

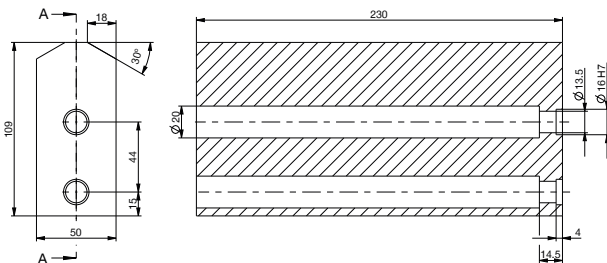


Pressure Safety Valve

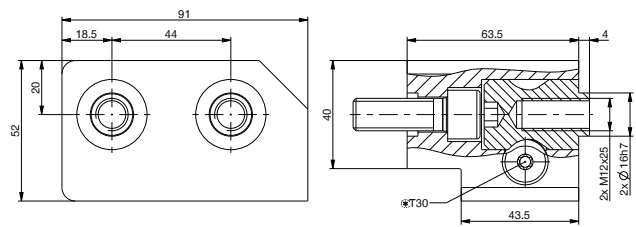
DSV1-8

► TECHNICAL DRAWINGS ACCESSORIES

One universal jaw is required for each gripper jaw **3**
A-A



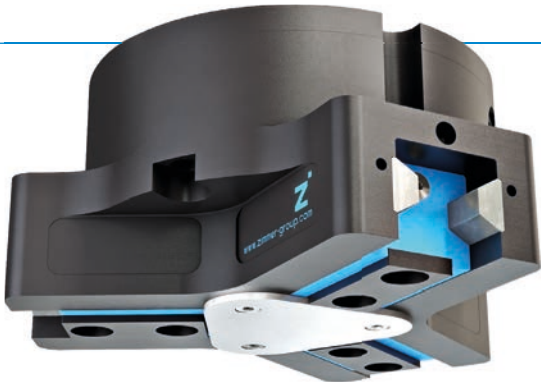
For each gripper jaw, one interchangeable jaw loose part set **4** and one interchangeable jaw fixed part **5** are needed



3-JAW CONCENTRIC GRIPPERS

SERIES GPD5000

▶ PRODUCT ADVANTAGES



“The Universal One”

- ▶ Up to 30% more gripping force than the benchmark
- ▶ 10% more static forces and moments than the benchmark
- ▶ Gripper fingers up to 10% longer than the benchmark
- ▶ Gripper fingers weight up to 15% higher than the benchmark
- ▶ Sealed guide IP64 / Protector version IP67 (with purged air)
- ▶ Protected against corrosion
- ▶ Up to 30 million cycles without maintenance

▶ THE BEST PRODUCT FOR YOUR APPLICATION



▶ Our products love the challenge!

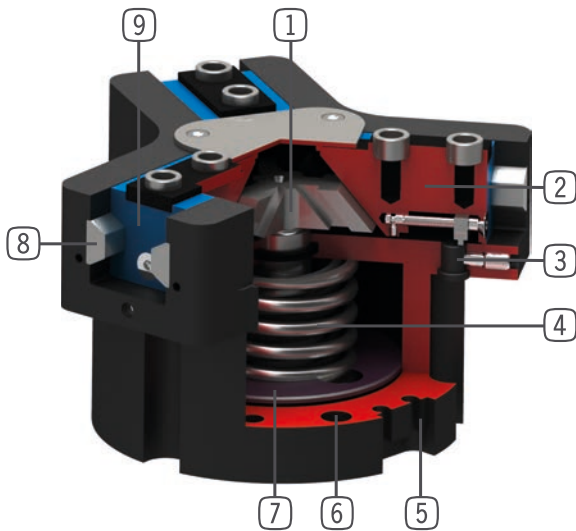
Extreme conditions, all over the world—our tried and tested components and systems give you limitless possibilities:
Find the best product for your specific use:
www.zimmer-group.com

HOW TO ORDER CORRECTLY

- ▶ The product order numbers are arranged according to this diagram:

Order no.	GPD5010	<input type="checkbox"/>	<input type="checkbox"/>	<input type="checkbox"/>
Basis version	N			
High force	S			
For external gripping, self-locking, spring closing		C		
For internal gripping, self-locking, spring opening		O		
Protector version IP67 for use in adverse environments (with purged air)				P
temperature-resistant version to 130 °C				T

► BENEFITS IN DETAIL



- ① **Positively driven wedge hook transmission**
 - high forces and moments capacity
 - Synchronized gripper jaw movement
- ② **Gripper jaw**
 - DLC coated to protect against corrosion
 - Gripper fingers mounted using removable centring sleeves
 - Lubricated for life via incorporated lubrication slots
- ③ **Mounting block**
 - mounting for inductive proximity switch
- ④ **Integrated gripping force safety device**
 - Spring built into cylinder chamber as an energy store
- ⑤ **Sensing slot**
 - mounting and positioning of magnetic field sensors
- ⑥ **Mounting and positioning**
 - Alternatively, on several sides for customized mounting
 - Pneumatic and electrical versions identical apart from height
- ⑦ **Drive**
 - Double-acting pneumatic rotor cylinder
- ⑧ **Steel Linear Guide**
 - Steel in steel guide
 - Enables use of extremely long gripper fingers
- ⑨ **Dual lip seal**
 - IP64 and up to IP67 (with purged air) for Protector version
 - Prevents grease from being squeezed out, increasing service life

► TERMS

Gripping force:	arithmetic sum of the individual forces occurring at the jaws
Closing/opening time:	Time required for the gripper jaws to travel the entire stroke distance
Repeatability:	at end stops after 50/100 consecutive cycles
Cycle:	Path that the pistons travel for a complete opening and closing movement
Maintenance:	recommended at 30 mil. cycles (please see the installation instructions, download from www.zimmer-group.com)

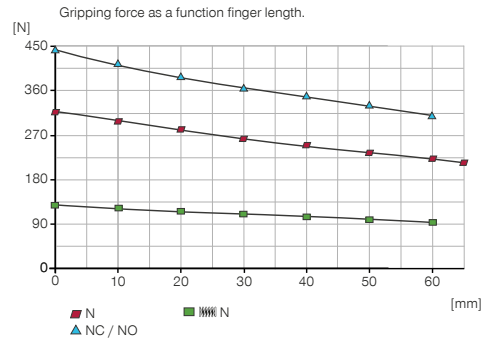
3-JAW CONCENTRIC GRIPPERS

INSTALLATION SIZE GPD5003

▶ PRODUCT SPECIFICATIONS



▶ Gripping force diagram



▶ Forces and moments

Displays static forces and moments that can also have an effect, besides the gripping force.



Mr [Nm]	7
Mx [Nm]	14
My [Nm]	13
Fa [N]	550

▶ TECHNICAL DATA

Order no.	▶ Technical Data*		
	GPD5003N	GPD5003NC	GPD5003NO
Stroke per jaw [mm]	2.5	2.5	2.5
Gripping force in closing [N]	310	440	
Gripping force in opening [N]	335		465
Gripping force secured by spring min. [N]		130	130
Closing time [s]	0.015	0.01	0.02
Opening time [s]	0.015	0.02	0.01
Weight per jaw max. [kg]	0.12	0.12	0.12
Length of the gripper fingers max. [mm]	65	60	60
Repetition accuracy +/- [mm]	0.01	0.01	0.01
Operating pressure min. [bar]	3	4	4
Operating pressure max. [bar]	8	7	7
Operating temperature [°C]	-10 ... +90	-10 ... +90	10 ... +90
Air volume per cycle [cm³]	4.2	9.5	9.5
Protection to IEC 60529	IP64	IP64	IP64
Weight [kg]	0.14	0.18	0.18

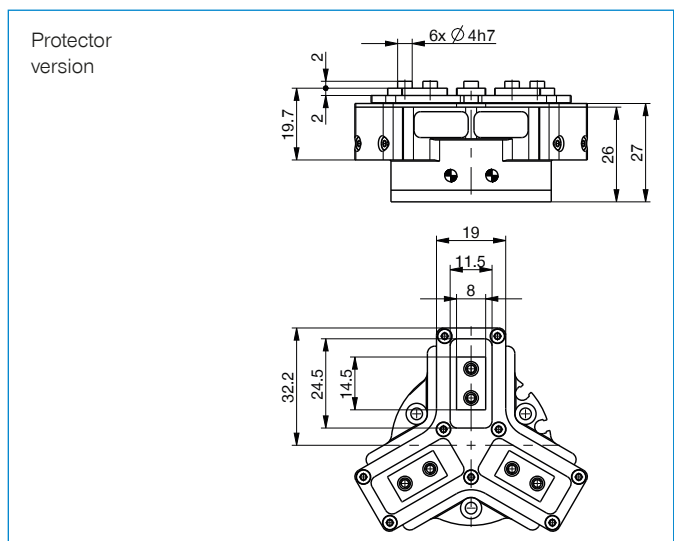
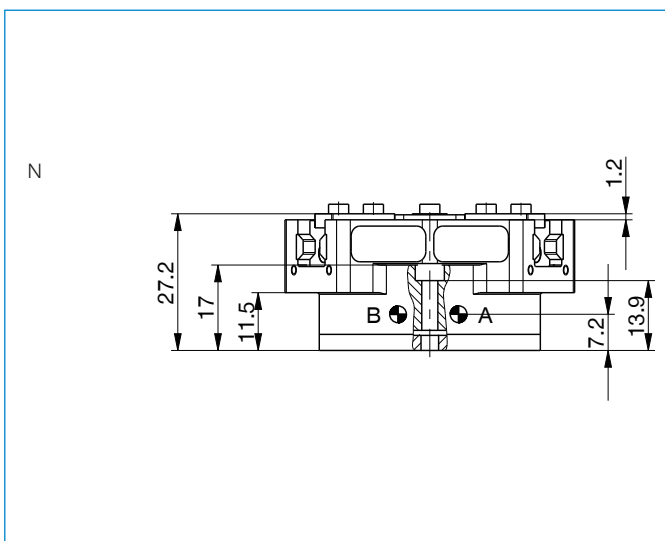
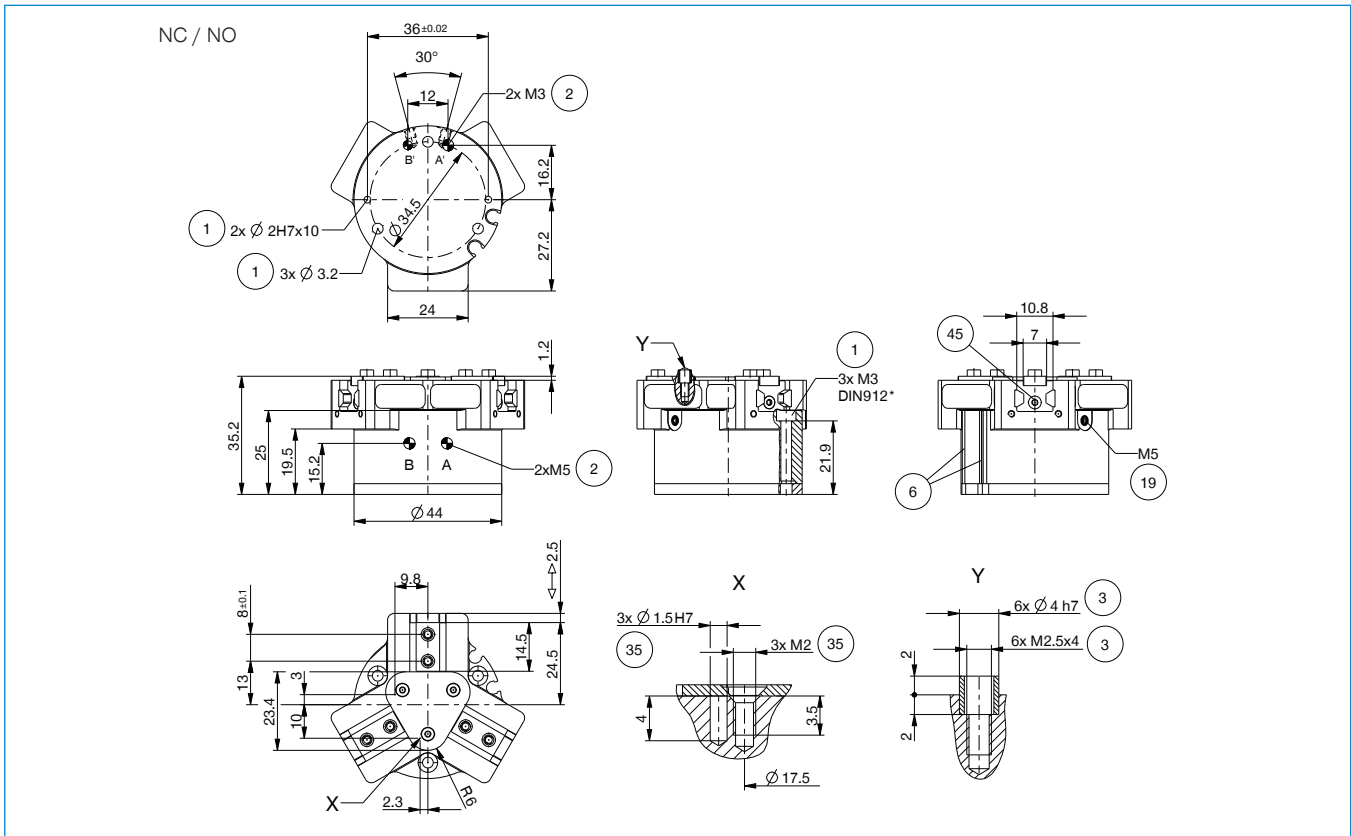
Order no.	▶ Technical Data - Protector Version		
	GPD5003NP	GPD5003NCP	GPD5003NOP
Protection to IEC 60529	IP67**	IP67**	IP67**
Weight [kg]	0.18	0.22	0.22

Order no.	▶ Technical Data - High Temperature Version		
	GPD5003NT	GPD5003NCT	GPD5003NOT
Operating temperature [°C]	-10 ... +130	-10 ... +130	-10 ... +130

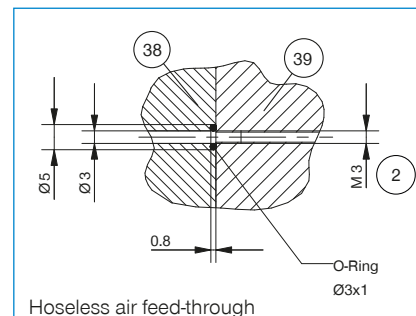
*All data measured at 6 bar

** with purged air

TECHNICAL DRAWINGS

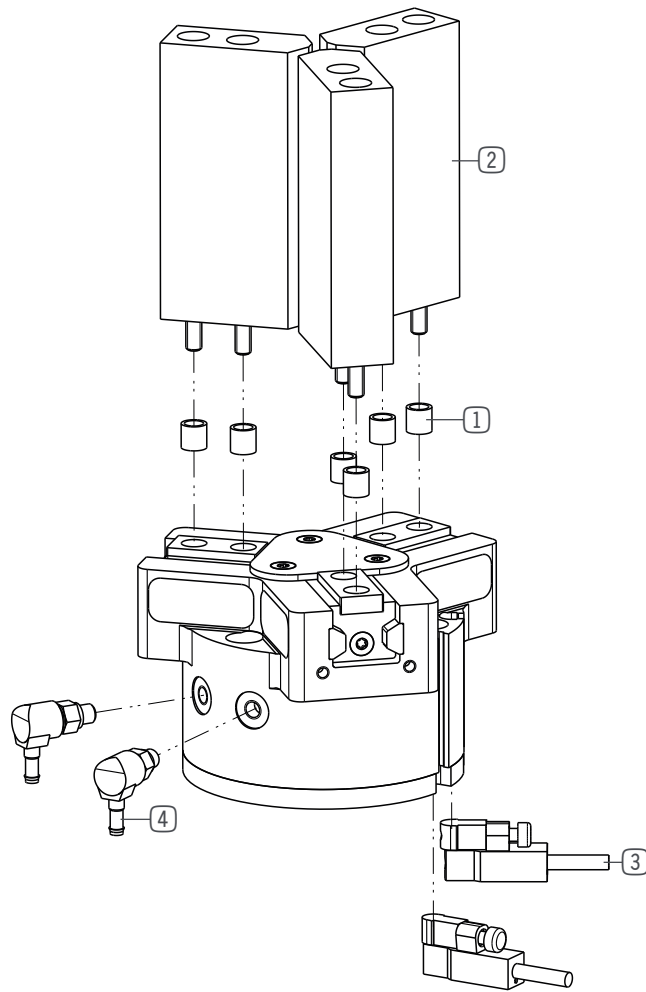


- ① Gripper attachment
- ② Energy supply
- ③ Fixing for gripper finger
- ⑥ Integrated slot for magnetic field sensor
- ⑱ Air purge connection option
- ⑳ Attachment option for customer-specific fittings
- ㉔ Adapter
- ㉙ Gripper
- ④⑤ Switch cam adjustment
- Ⓐ Air connection (close)
- Ⓑ Air connection (open)
- Ⓐ Air connection, alternative (close)
- Ⓑ Air connection, alternative (open)



3-JAW CONCENTRIC GRIPPERS

INSTALLATION SIZE GPD5003



▶ INCLUDED IN DELIVERY



Centering Disc

DST06510

► RECOMMENDED ACCESSORIES



Universal jaw aluminium

UB5003AL



Universal jaw steel

UB5003ST



Pressure piece N / S

ADS5003-01



Pressure piece NC / NO / SC / SO

ADS5003-02



Rubber Coated Tape Smooth

KF50G



Rubber Coated Tape Knobbed

KF50N



Magnetic field sensor Angled Cable 0,3 m - Connector M8

MFS103SKHC



Magnetic field sensor Straight Cable 0,3 m - Connector M8

MFS204SKHC



2-Position-Sensor Cable 0,3 m - Connector M8

MFSP2SKHC-01



Plug-in connector Angled Cable 5m - Socket M8 (female)

KAW500



Plug-in connector Straight Cable 5m - Socket M8 (female)

KAG500



Plug-in connector customizable Straight - Connector M12

S12-G-3



Angled Fittings - Barb Style Connection

WVM3



Straight Fittings - Barb Style Connection

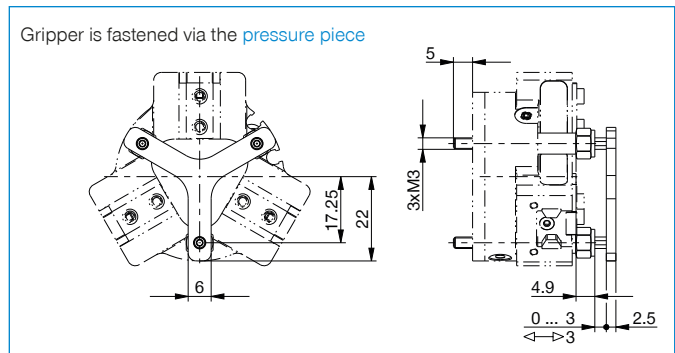
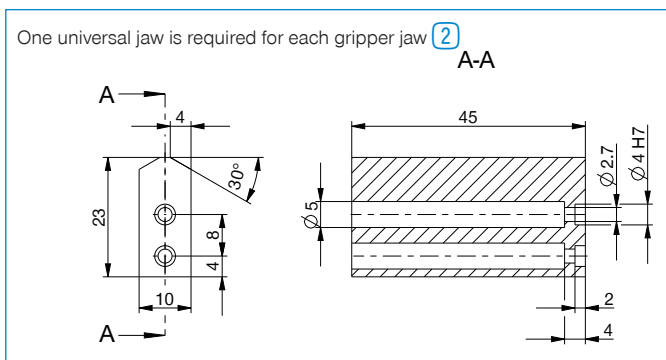
GVM3



Pressure Safety Valve

DSV1-8

► TECHNICAL DRAWINGS ACCESSORIES



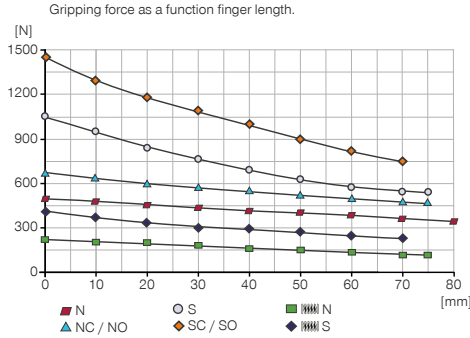
3-JAW CONCENTRIC GRIPPERS

INSTALLATION SIZE GPD5004

▶ PRODUCT SPECIFICATIONS



▶ Gripping force diagram



▶ Forces and moments

Displays static forces and moments that can also have an effect, besides the gripping force.



Mr [Nm]	14
Mx [Nm]	29
My [Nm]	23
Fa [N]	750

▶ TECHNICAL DATA

Order no.	▶ Technical Data*					
	GPD5004N	GPD5004NC	GPD5004NO	GPD5004S	GPD5004SC	GPD5004SO
Stroke per jaw [mm]	4	4	4	2	2	2
Gripping force in closing [N]	460	650		1010	1430	
Gripping force in opening [N]	500		690	1100		1520
Gripping force secured by spring min. [N]		190	190		420	420
Closing time [s]	0.025	0.018	0.028	0.025	0.018	0.028
Opening time [s]	0.025	0.028	0.018	0.025	0.028	0.018
Weight per jaw max. [kg]	0.2	0.2	0.2	0.2	0.2	0.2
Length of the gripper fingers max. [mm]	80	75	75	75	70	70
Repetition accuracy +/- [mm]	0.01	0.01	0.01	0.01	0.01	0.01
Operating pressure min. [bar]	3	4	4	3	4	4
Operating pressure max. [bar]	8	7	7	8	7	7
Operating temperature [°C]	-10 ... +90	-10 ... +90	-10 ... +90	-10 ... +90	-10 ... +90	-10 ... +90
Air volume per cycle [cm³]	11	21	21	11	21	21
Protection to IEC 60529	IP64	IP64	IP64	IP64	IP64	IP64
Weight [kg]	0.27	0.33	0.33	0.27	0.33	0.33

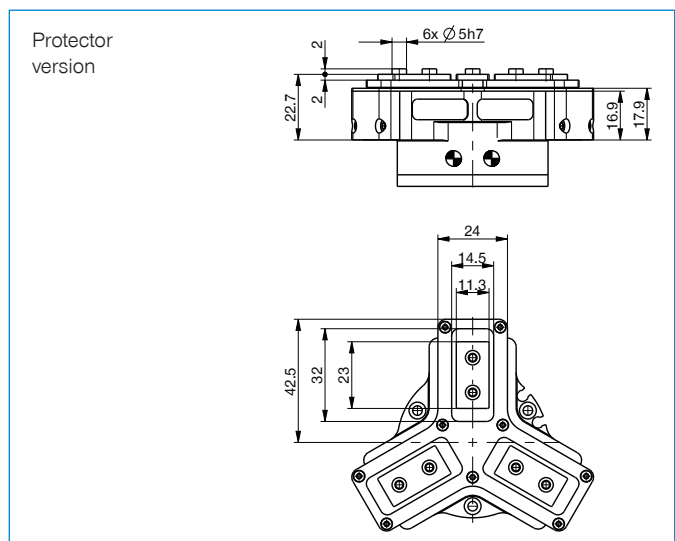
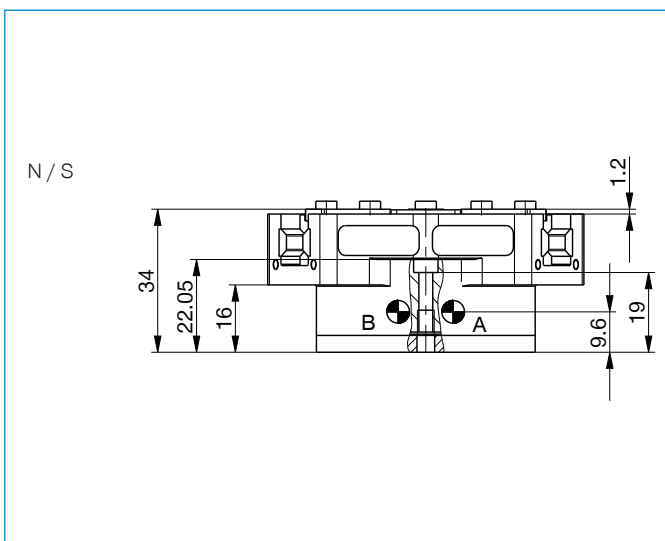
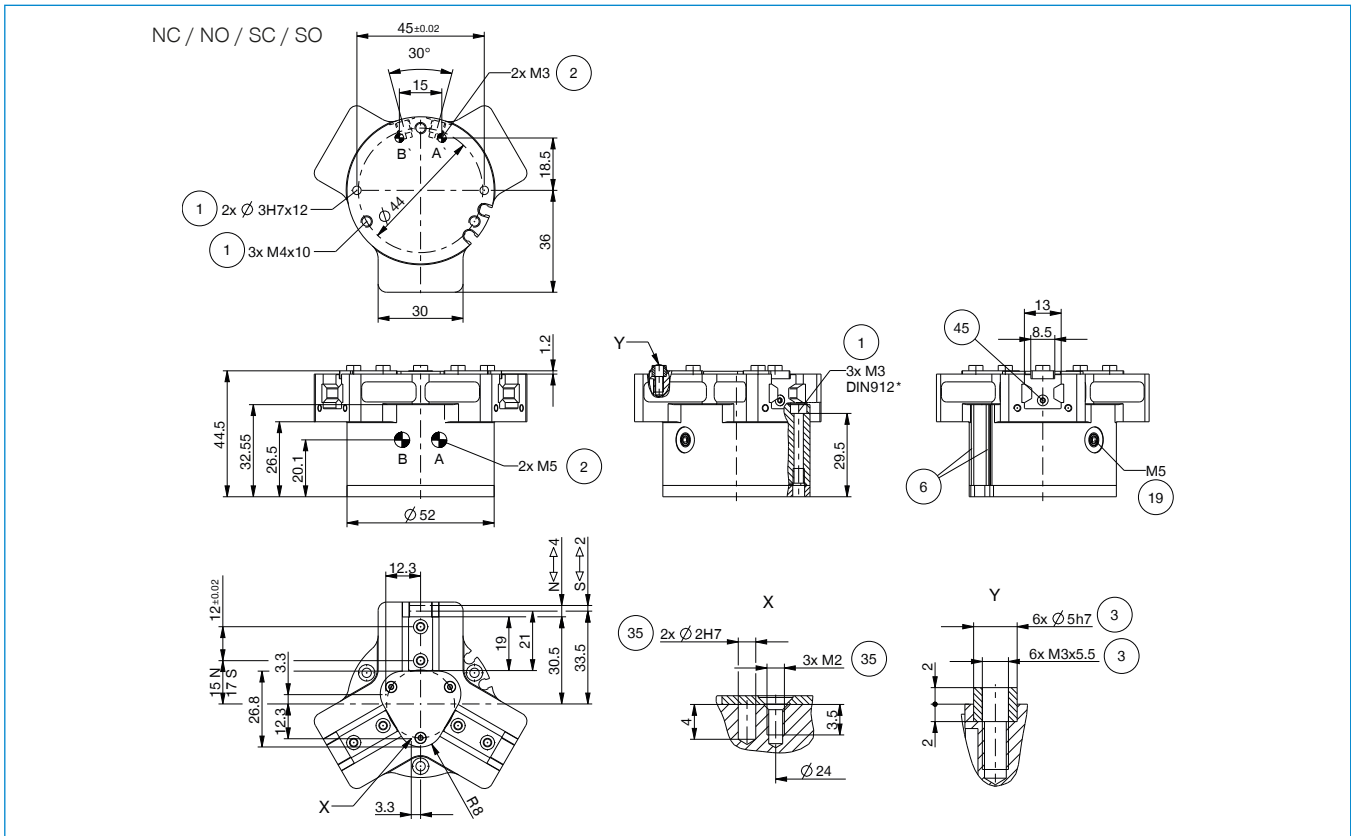
Order no.	▶ Technical Data - Protector Version					
	GPD5004NP	GPD5004NCP	GPD5004NOP	GPD5004SP	GPD5004SCP	GPD5004SOP
Protection to IEC 60529	IP67**	IP67**	IP67**	IP67**	IP67**	IP67**
Weight [kg]	0.35	0.41	0.41	0.35	0.41	0.41

Order no.	▶ Technical Data - High Temperature Version					
	GPD5004NT	GPD5004NCT	GPD5004NOT	GPD5004ST	GPD5004SCT	GPD5004SOT
Operating temperature [°C]	-10 ... +130	-10 ... +130	-10 ... +130	-10 ... +130	-10 ... +130	-10 ... +130

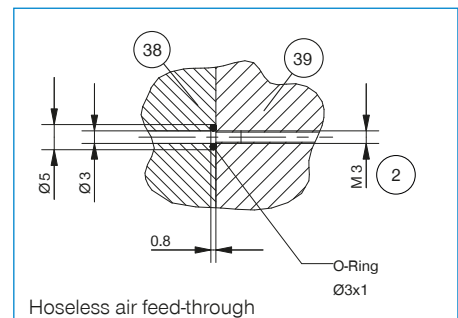
*All data measured at 6 bar

** with purged air

TECHNICAL DRAWINGS

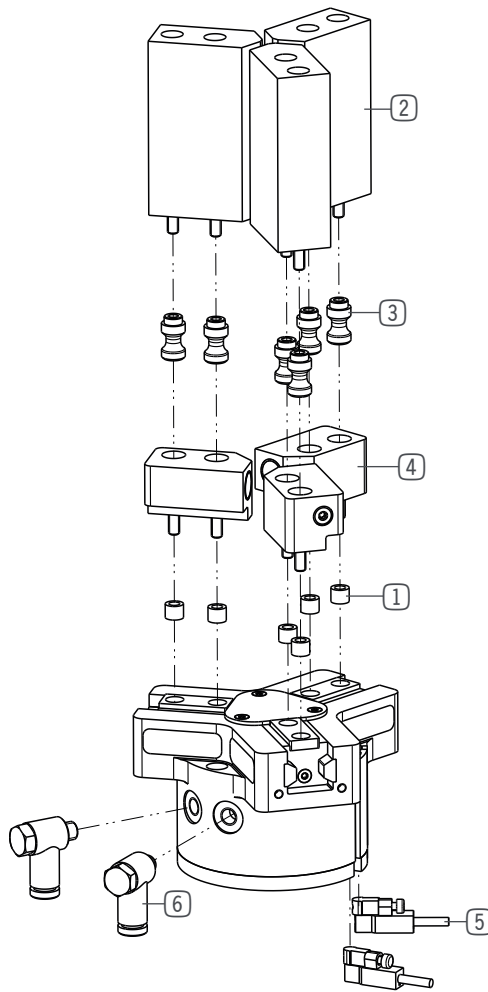


- ① Gripper attachment
- ② Energy supply
- ③ Fixing for gripper finger
- ⑥ Integrated slot for magnetic field sensor
- ⑱ Air purge connection option
- ⑳ Attachment option for customer-specific fittings
- ㉔ Adapter
- ㉙ Gripper
- ④⑤ Switch cam adjustment
- Ⓐ Air connection (close)
- Ⓑ Air connection (open)
- Ⓐ Air connection, alternative (close)
- Ⓑ Air connection, alternative (open)



3-JAW CONCENTRIC GRIPPERS

INSTALLATION SIZE GPD5004



▶ INCLUDED IN DELIVERY



Centering Disc

015761

► RECOMMENDED ACCESSORIES



Universal jaw aluminium

UB5004AL



Universal jaw steel

UB5004ST



Pressure piece N / S

ADS5004-01



Pressure piece NC / NO / SC / SO

ADS5004-02



Changeable jaw, loose-part-set

WB5004L



Changeable jaw, fix-part

WB5004F



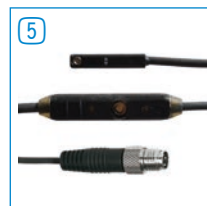
Magnetic field sensor Angled Cable 0,3 m - Connector M8

MFS103SKHC



Magnetic field sensor Straight Cable 0,3 m - Connector M8

MFS204SKHC



2-Position-Sensor Cable 0,3 m - Connector M8

MFSP2SKHC-01



Plug-in connector Angled Cable 5m - Socket M8 (female)

KAW500



Plug-in connector Straight Cable 5m - Socket M8 (female)

KAG500



Plug-in connector customizable Straight - Connector M12

S12-G-3



Angled Fittings - Quick Connect Style

WVM5



Straight Fittings - Quick Connect Style

GVM5

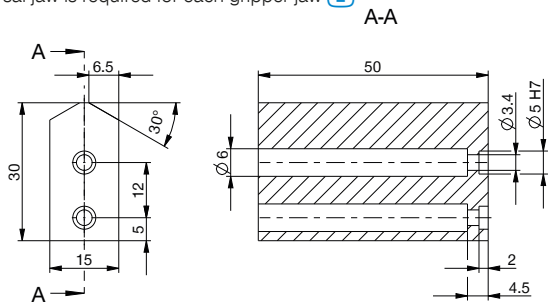


Pressure Safety Valve

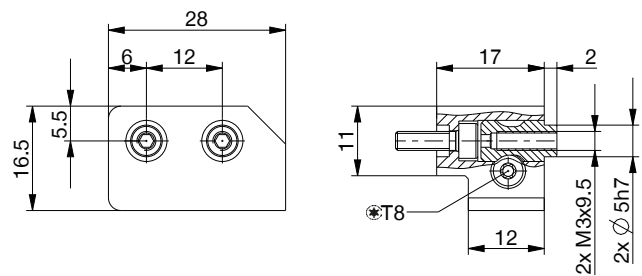
DSV1-8

► TECHNICAL DRAWINGS ACCESSORIES

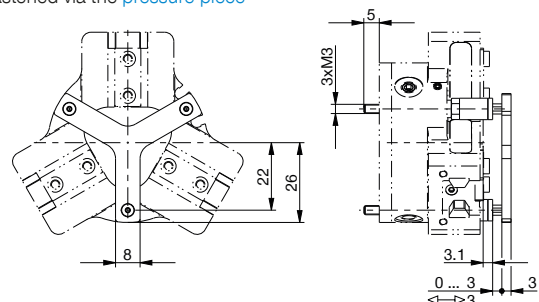
One universal jaw is required for each gripper jaw **2**



For each gripper jaw, one interchangeable jaw loose part set **3** and one interchangeable jaw fixed part **4** are needed



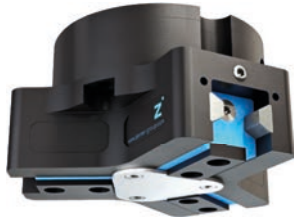
Gripper is fastened via the **pressure piece**



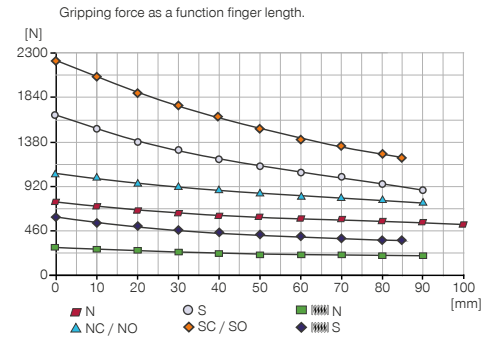
3-JAW CONCENTRIC GRIPPERS

INSTALLATION SIZE GPD5006

▶ PRODUCT SPECIFICATIONS



▶ Gripping force diagram



▶ Forces and moments

Displays static forces and moments that can also have an effect, besides the gripping force.



Mr [Nm]	43
Mx [Nm]	70
My [Nm]	46
Fa [N]	1250

▶ TECHNICAL DATA

Order no.	▶ Technical Data*					
	GPD5006N	GPD5006NC	GPD5006NO	GPD5006S	GPD5006SC	GPD5006SO
Stroke per jaw [mm]	6	6	6	3	3	3
Gripping force in closing [N]	740	1020		1620	2240	
Gripping force in opening [N]	800		1080	1750		2370
Gripping force secured by spring min. [N]		280	280		620	620
Closing time [s]	0.028	0.018	0.038	0.028	0.018	0.038
Opening time [s]	0.028	0.038	0.018	0.028	0.038	0.018
Weight per jaw max. [kg]	0.4	0.4	0.4	0.4	0.4	0.4
Length of the gripper fingers max. [mm]	100	90	90	90	85	85
Repetition accuracy +/- [mm]	0.01	0.01	0.01	0.01	0.01	0.01
Operating pressure min. [bar]	3	4	4	3	4	4
Operating pressure max. [bar]	8	7	7	8	7	7
Operating temperature [°C]	-10 ... +90	-10 ... +90	-10 ... +90	-10 ... +90	-10 ... +90	-10 ... +90
Air volume per cycle [cm³]	22	43	43	22	43	43
Protection to IEC 60529	IP64	IP64	IP64	IP64	IP64	IP64
Weight [kg]	0.48	0.58	0.58	0.48	0.58	0.58

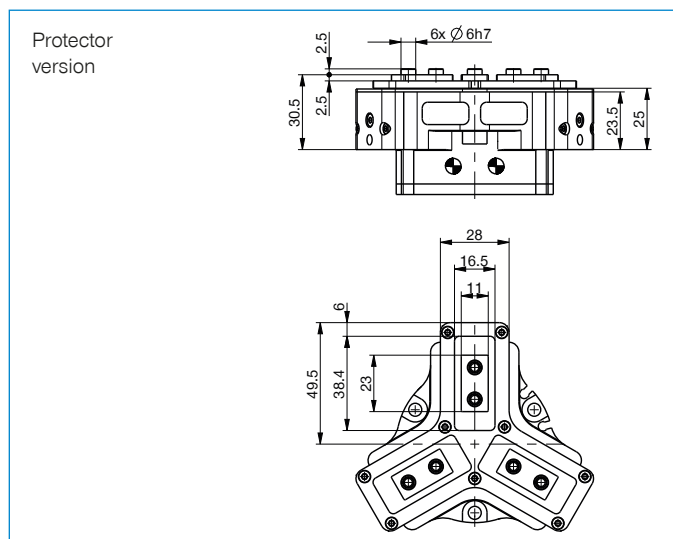
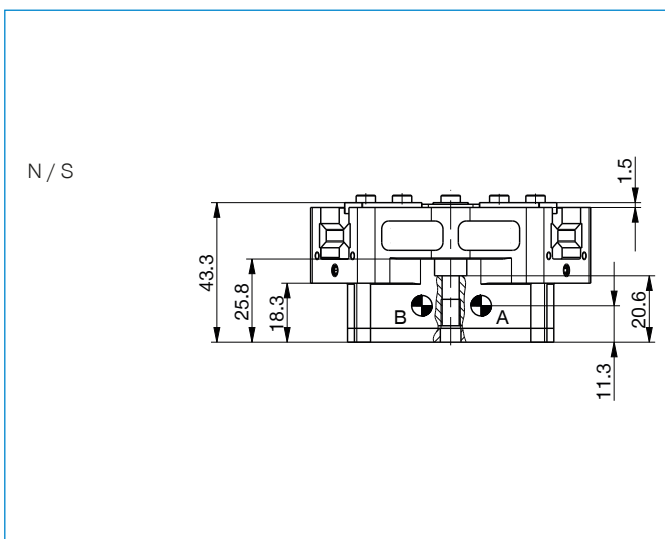
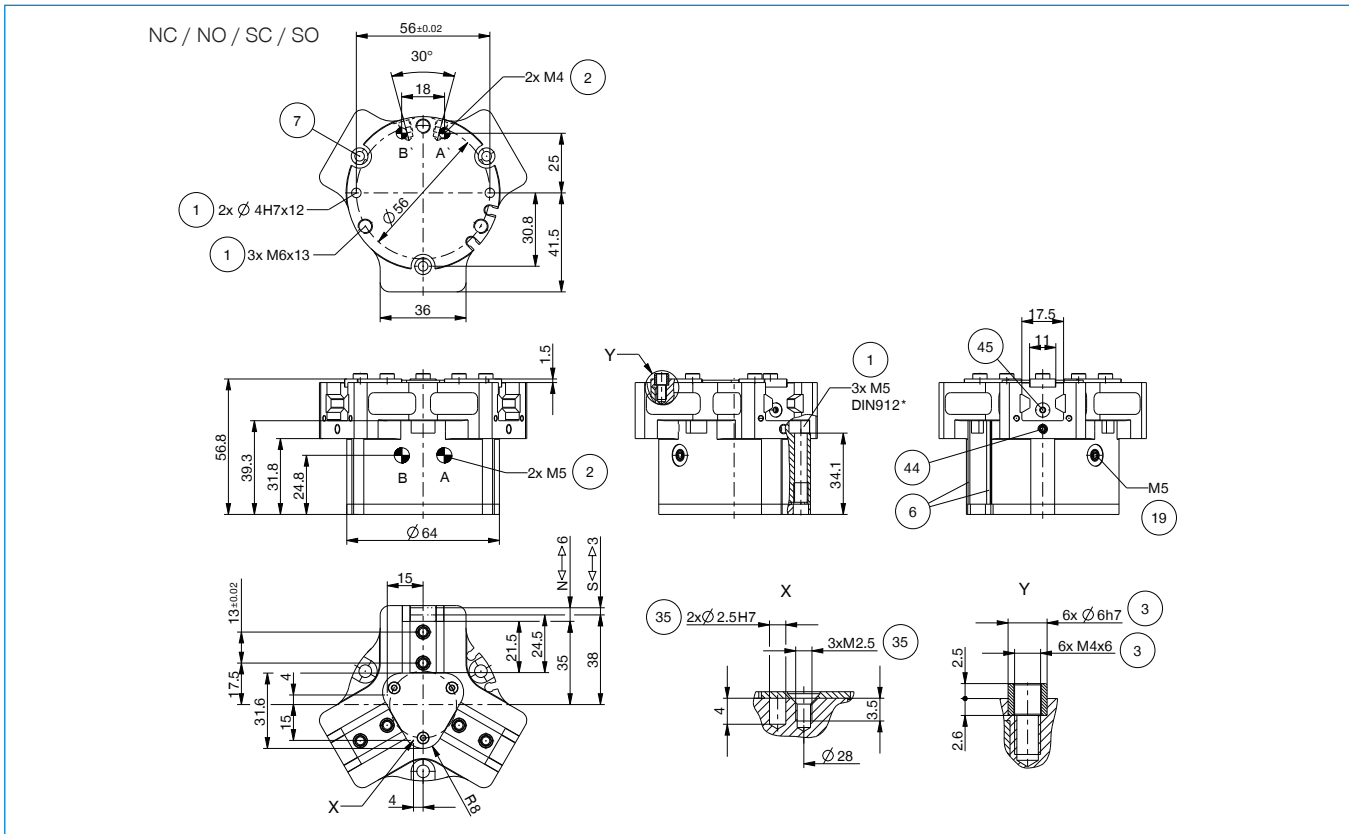
Order no.	▶ Technical Data - Protector Version					
	GPD5006NP	GPD5006NCP	GPD5006NOP	GPD5006SP	GPD5006SCP	GPD5006SOP
Protection to IEC 60529	IP67**	IP67**	IP67**	IP67**	IP67**	IP67**
Weight [kg]	0.61	0.71	0.71	0.61	0.71	0.71

Order no.	▶ Technical Data - High Temperature Version					
	GPD5006NT	GPD5006NCT	GPD5006NOT	GPD5006ST	GPD5006SCT	GPD5006SOT
Operating temperature [°C]	-10 ... +130	-10 ... +130	-10 ... +130	-10 ... +130	-10 ... +130	-10 ... +130

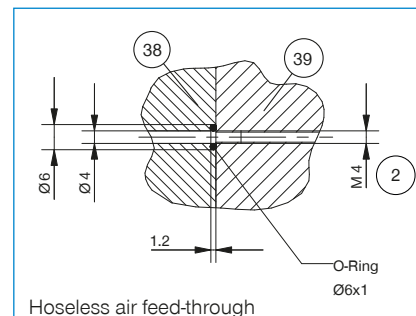
*All data measured at 6 bar

** with purged air

TECHNICAL DRAWINGS

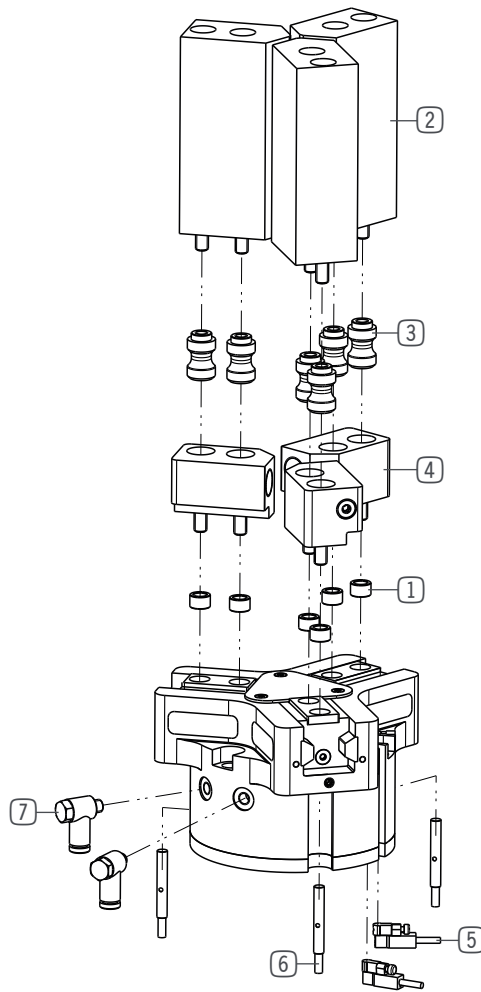


- | | |
|---|---------------------------------------|
| ① Gripper attachment | ③⑨ Gripper |
| ② Energy supply | ④④ Clamp for sensor |
| ③ Fixing for gripper finger | ④⑤ Switch cam adjustment |
| ⑥ Integrated slot for magnetic field sensor | Ⓐ Air connection (close) |
| ⑦ Mounting block | Ⓑ Air connection (open) |
| ⑱ Air purge connection option | Ⓐ Air connection, alternative (close) |
| ③⑤ Attachment option for customer-specific fittings | Ⓑ Air connection, alternative (open) |
| ③⑧ Adapter | |



3-JAW CONCENTRIC GRIPPERS

INSTALLATION SIZE GPD5006



▶ INCLUDED IN DELIVERY



Centering Disc

024230

► RECOMMENDED ACCESSORIES



Universal jaw aluminium

UB5006AL



Universal jaw steel

UB5006ST



Pressure piece N / S

ADS5006-01



Pressure piece NC / NO / SC / SO

ADS5006-02



Changeable jaw, loose-part-set

WB5006L



Changeable jaw, fix-part

WB5006F



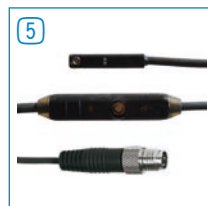
Magnetic field sensor Angled Cable 0,3 m - Connector M8

MFS103SKHC



Magnetic field sensor Straight Cable 0,3 m - Connector M8

MFS204SKHC



2-Position-Sensor Cable 0,3 m - Connector M8

MFSP2SKHC-01



Inductive Proximity Switch Cable 0,3 m - Connector M8

NJ4-E2SK-01



Plug-in connector Straight Cable 5m - Socket M8 (female)

KAG500



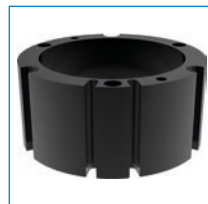
Angled Fittings - Quick Connect Style

WVM5



Pressure Safety Valve

DSV1-8



Compensation module N / S

ZUB5006DNS

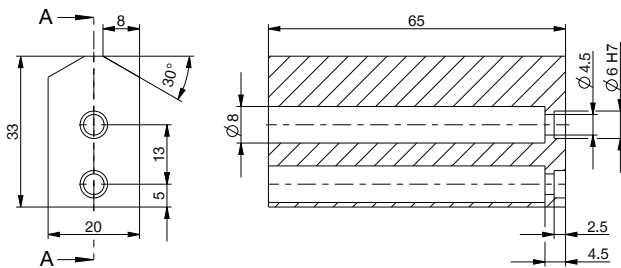


Compensation module NC / NO / SC / SO

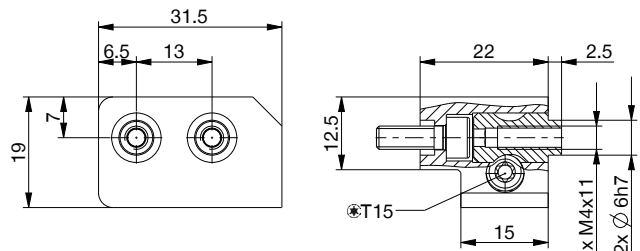
ZUB5006DCO

► TECHNICAL DRAWINGS ACCESSORIES

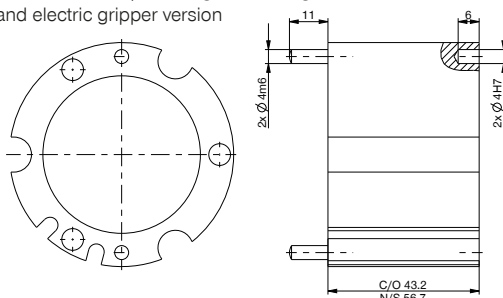
One universal jaw is required for each gripper jaw (2) A-A



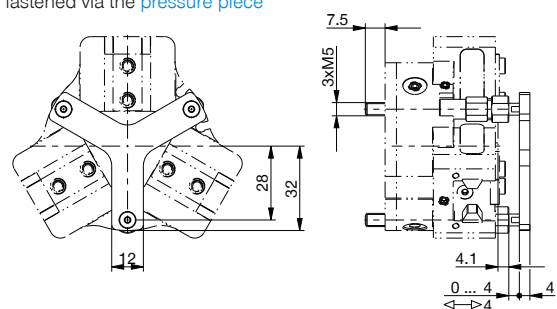
For each gripper jaw, one interchangeable jaw loose part set (3) and one interchangeable jaw fixed part (4) are needed



Compensation module for compensating for the height differences between the pneumatic and electric gripper version



Gripper is fastened via the pressure piece



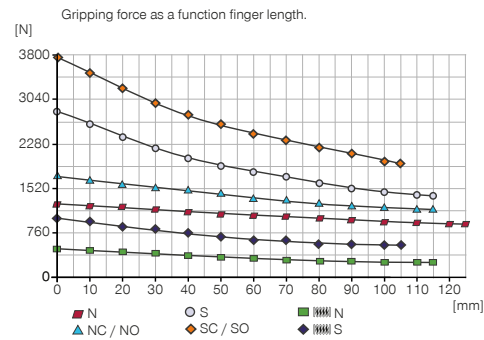
3-JAW CONCENTRIC GRIPPERS

INSTALLATION SIZE GPD5008

▶ PRODUCT SPECIFICATIONS



▶ Gripping force diagram



▶ Forces and moments

Displays static forces and moments that can also have an effect, besides the gripping force.



Mr [Nm]	60
Mx [Nm]	105
My [Nm]	65
Fa [N]	1900

▶ TECHNICAL DATA

Order no.	▶ Technical Data*					
	GPD5008N	GPD5008NC	GPD5008NO	GPD5008S	GPD5008SC	GPD5008SO
Stroke per jaw [mm]	8	8	8	4	4	4
Gripping force in closing [N]	1260	1690		2780	3730	
Gripping force in opening [N]	1340		1770	2960		3910
Gripping force secured by spring min. [N]		430	430		950	950
Closing time [s]	0.048	0.035	0.055	0.048	0.035	0.055
Opening time [s]	0.048	0.055	0.035	0.048	0.055	0.035
Weight per jaw max. [kg]	0.7	0.7	0.7	0.7	0.7	0.7
Length of the gripper fingers max. [mm]	125	115	115	115	105	105
Repetition accuracy +/- [mm]	0.01	0.01	0.01	0.01	0.01	0.01
Operating pressure min. [bar]	3	4	4	3	4	4
Operating pressure max. [bar]	8	7	7	8	7	7
Operating temperature [°C]	-10 ... +90	-10 ... +90	-10 ... +90	-10 ... +90	-10 ... +90	-10 ... +90
Air volume per cycle [cm³]	51	90	90	51	90	90
Protection to IEC 60529	IP64	IP64	IP64	IP64	IP64	IP64
Weight [kg]	0.83	1	1	0.83	1	1

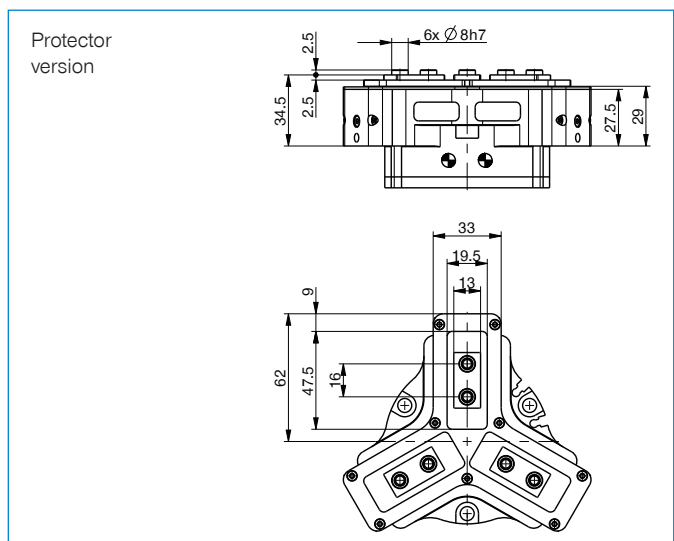
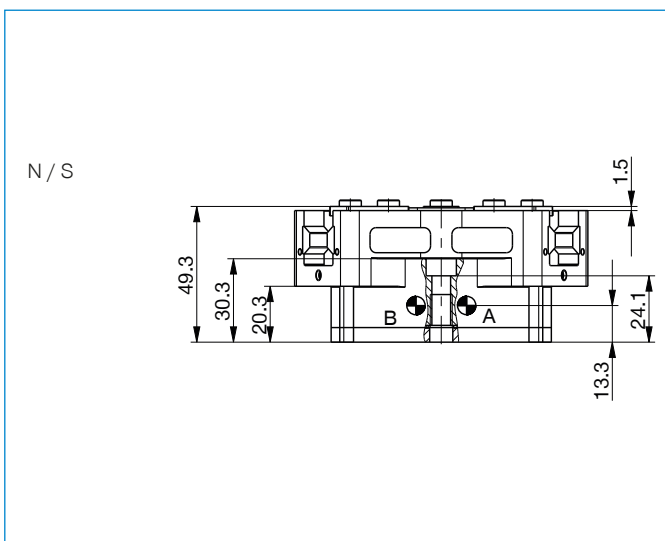
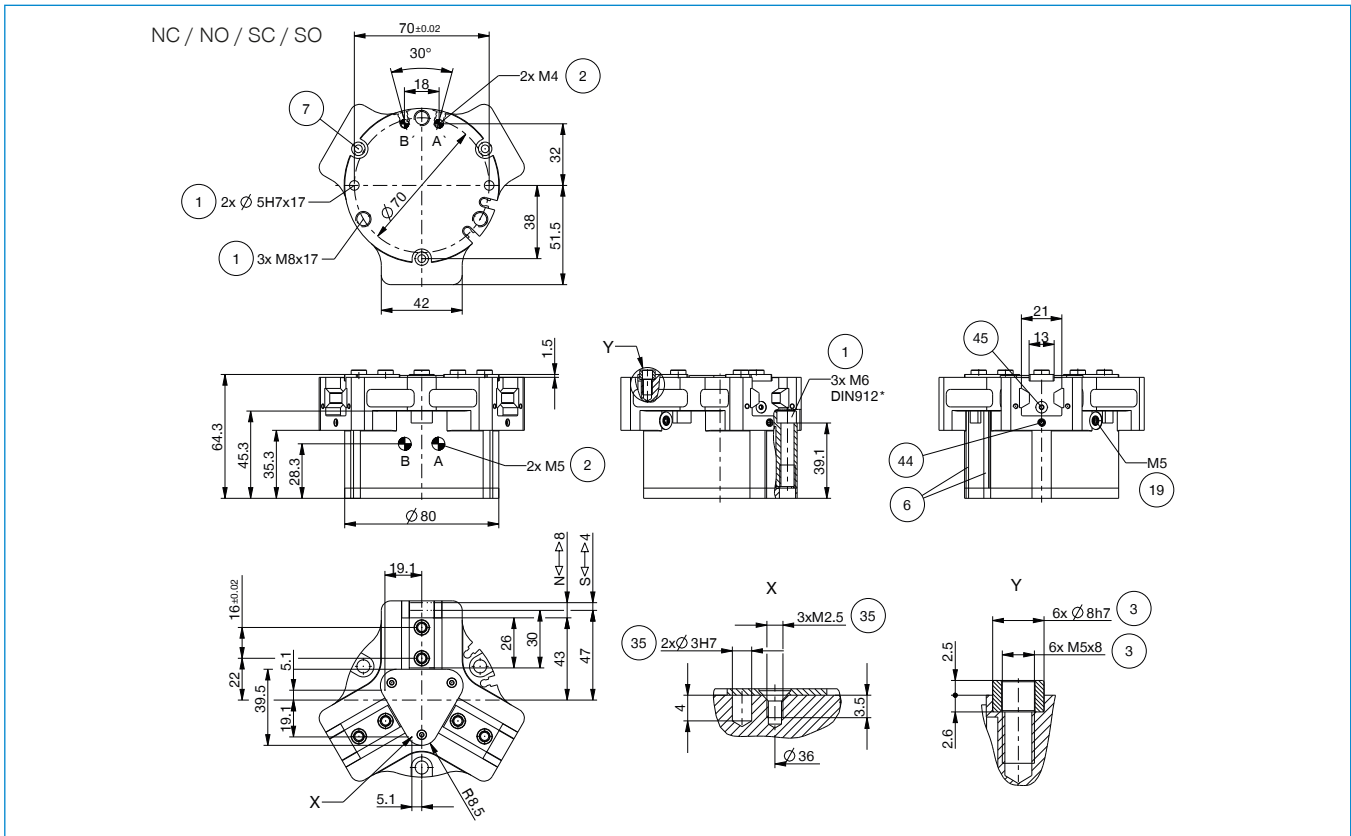
Order no.	▶ Technical Data - Protector Version					
	GPD5008NP	GPD5008NCP	GPD5008NOP	GPD5008SP	GPD5008SCP	GPD5008SOP
Protection to IEC 60529	IP67**	IP67**	IP67**	IP67**	IP67**	IP67**
Weight [kg]	1.03	1.2	1.2	1.03	1.2	1.2

Order no.	▶ Technical Data - High Temperature Version					
	GPD5008NT	GPD5008NCT	GPD5008NOT	GPD5008ST	GPD5008SCT	GPD5008SOT
Operating temperature [°C]	-10 ... +130	-10 ... +130	-10 ... +130	-10 ... +130	-10 ... +130	-10 ... +130

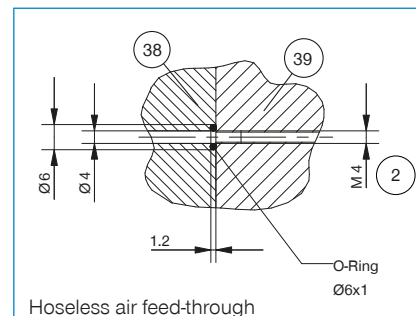
*All data measured at 6 bar

** with purged air

TECHNICAL DRAWINGS

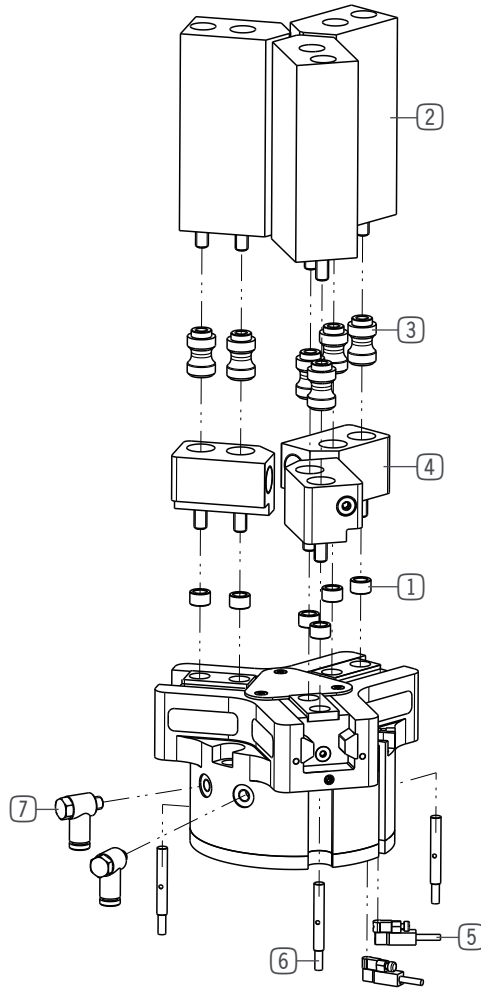


- ① Gripper attachment
- ② Energy supply
- ③ Fixing for gripper finger
- ⑥ Integrated slot for magnetic field sensor
- ⑦ Mounting block
- ⑱ Air purge connection option
- ⑳ Attachment option for customer-specific fittings
- ㉘ Adapter
- ㉙ Gripper
- ㉚ Clamp for sensor
- ㉛ Switch cam adjustment
- Ⓐ Air connection (close)
- Ⓑ Air connection (open)
- Ⓐ Air connection, alternative (close)
- Ⓑ Air connection, alternative (open)



3-JAW CONCENTRIC GRIPPERS

INSTALLATION SIZE GPD5008



▶ INCLUDED IN DELIVERY



Centering Disc

024231

► RECOMMENDED ACCESSORIES



Universal jaw aluminium

UB5008AL



Universal jaw steel

UB5008ST



Pressure piece N / S

ADS5008-01



Pressure piece NC / NO / SC / SO

ADS5008-02



Changeable jaw, loose-part-set

WB5008L



Changeable jaw, fix-part

WB5008F



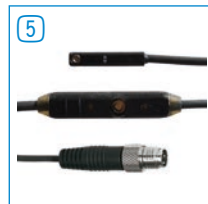
Magnetic field sensor Angled Cable 0,3 m - Connector M8

MFS103SKHC



Magnetic field sensor Straight Cable 0,3 m - Connector M8

MFS204SKHC



2-Position-Sensor Cable 0,3 m - Connector M8

MFSP2SKHC-01



Inductive Proximity Switch Cable 0,3 m - Connector M8

NJ4-E2SK-01



Plug-in connector Straight Cable 5m - Socket M8 (female)

KAG500



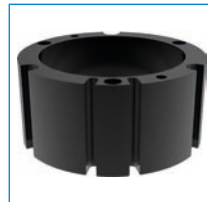
Angled Fittings - Quick Connect Style

WVM5



Pressure Safety Valve

DSV1-8



Compensation module N / S

ZUB5008DNS

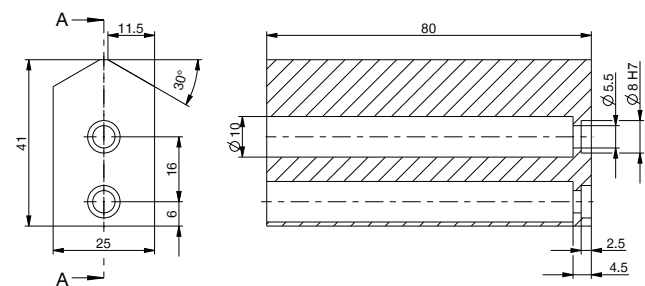


Compensation module NC / NO / SC / SO

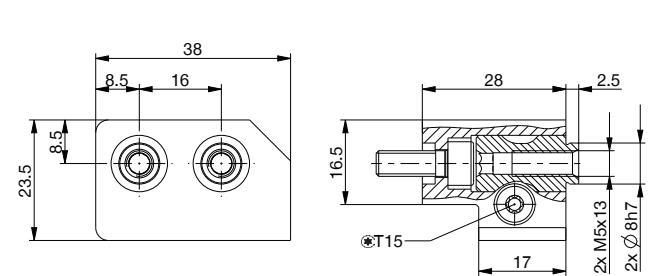
ZUB5008DCO

► TECHNICAL DRAWINGS ACCESSORIES

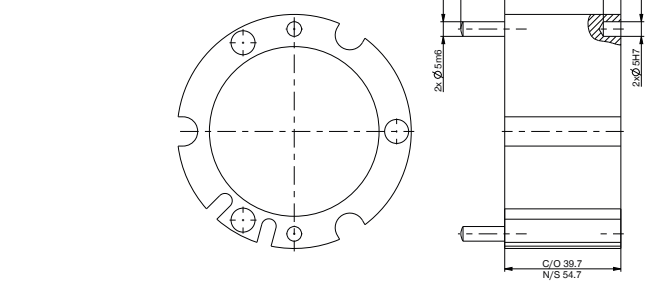
One universal jaw is required for each gripper jaw **2**



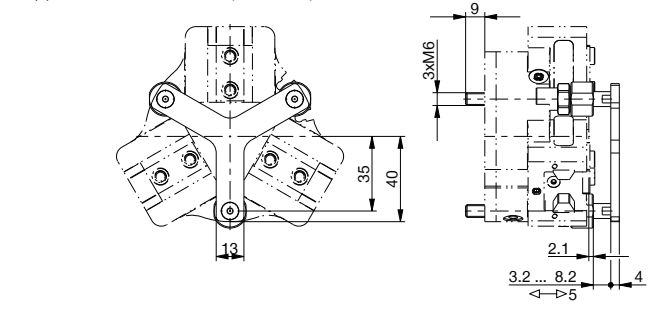
For each gripper jaw, one interchangeable jaw loose part set **3** and one interchangeable jaw fixed part **4** are needed



Compensation module for compensating for the height differences between the pneumatic and electric gripper version



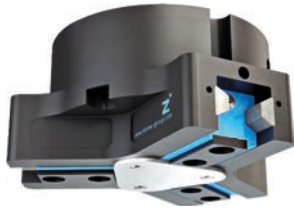
Gripper is fastened via the pressure piece



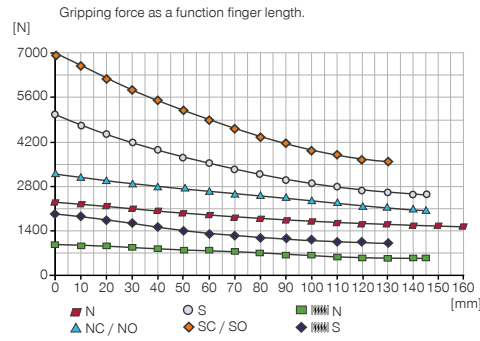
3-JAW CONCENTRIC GRIPPERS

INSTALLATION SIZE GPD5010

▶ PRODUCT SPECIFICATIONS



▶ Gripping force diagram



▶ Forces and moments

Displays static forces and moments that can also have an effect, besides the gripping force.



Mr [Nm]	75
Mx [Nm]	125
My [Nm]	95
Fa [N]	2700

▶ TECHNICAL DATA

Order no.	▶ Technical Data*					
	GPD5010N	GPD5010NC	GPD5010NO	GPD5010S	GPD5010SC	GPD5010SO
Stroke per jaw [mm]	10	10	10	5	5	5
Gripping force in closing [N]	2290	3140		5050	6930	
Gripping force in opening [N]	2400		3250	5280		7160
Gripping force secured by spring min. [N]		850	850		1880	1880
Closing time [s]	0.095	0.095	0.19	0.095	0.095	0.19
Opening time [s]	0.095	0.19	0.095	0.095	0.19	0.095
Weight per jaw max. [kg]	1.3	1.3	1.3	1.3	1.3	1.3
Length of the gripper fingers max. [mm]	160	145	145	145	130	130
Repetition accuracy +/- [mm]	0.01	0.01	0.01	0.01	0.01	0.01
Operating pressure min. [bar]	3	4	4	3	4	4
Operating pressure max. [bar]	8	7	7	8	7	7
Operating temperature [°C]	-10 ... +90	-10 ... +90	-10 ... +90	-10 ... +90	-10 ... +90	-10 ... +90
Air volume per cycle [cm³]	100	200	200	100	200	200
Protection to IEC 60529	IP64	IP64	IP64	IP64	IP64	IP64
Weight [kg]	1.45	1.9	1.9	1.45	1.9	1.9

Order no.	▶ Technical Data - Protector Version					
	GPD5010NP	GPD5010NCP	GPD5010NOP	GPD5010SP	GPD5010SCP	GPD5010SOP
Protection to IEC 60529	IP67**	IP67**	IP67**	IP67**	IP67**	IP67**
Weight [kg]	1.8	2.23	2.23	1.8	2.23	2.23

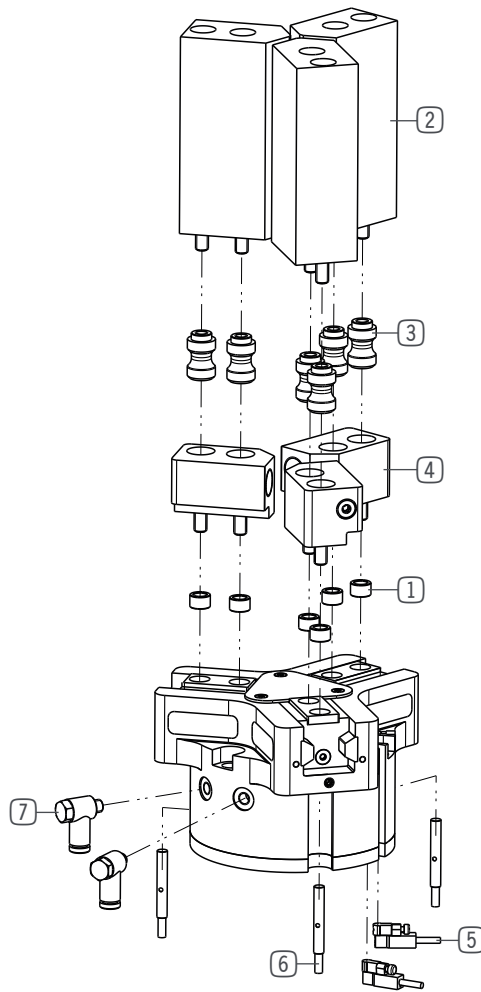
Order no.	▶ Technical Data - High Temperature Version					
	GPD5010NT	GPD5010NCT	GPD5010NOT	GPD5010ST	GPD5010SCT	GPD5010SOT
Operating temperature [°C]	-10 ... +130	-10 ... +130	-10 ... +130	-10 ... +130	-10 ... +130	-10 ... +130

*All data measured at 6 bar

** with purged air

3-JAW CONCENTRIC GRIPPERS

INSTALLATION SIZE GPD5010



▶ INCLUDED IN DELIVERY



Centering Disc

018187

► RECOMMENDED ACCESSORIES



Universal jaw aluminium

UB5010AL



Universal jaw steel

UB5010ST



Pressure piece N / S

ADS5010-01



Pressure piece NC / NO / SC / SO

ADS5010-02



Changeable jaw, loose-part-set

WB5010L



Changeable jaw, fix-part

WB5010F



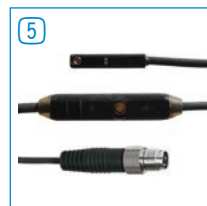
Magnetic field sensor Angled Cable 0,3 m - Connector M8

MFS103SKHC



Magnetic field sensor Straight Cable 0,3 m - Connector M8

MFS204SKHC



2-Position-Sensor Cable 0,3 m - Connector M8

MFSP2SKHC-01



Inductive Proximity Switch Cable 0,3 m - Connector M8

NJ4-E2SK-01



Plug-in connector Straight Cable 5m - Socket M8 (female)

KAG500



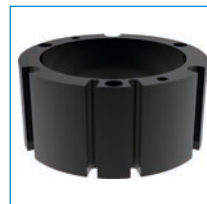
Angled Fittings - Quick Connect Style

WV1-8X6



Pressure Safety Valve

DSV1-8



Compensation module N / S

ZUB5010DNS

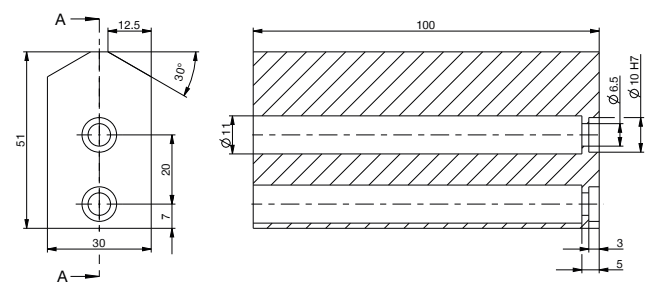


Compensation module NC / NO / SC / SO

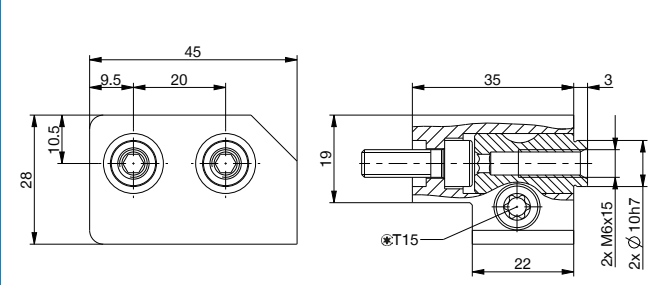
ZUB5010DCO

► TECHNICAL DRAWINGS ACCESSORIES

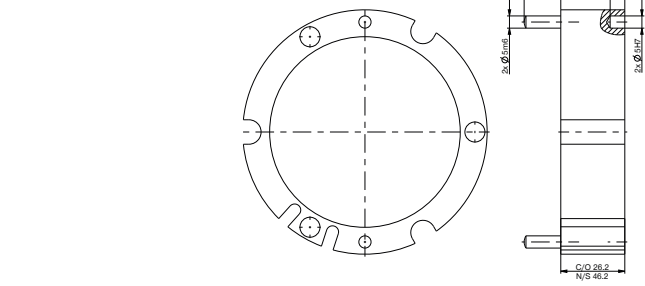
One universal jaw is required for each gripper jaw ⁽²⁾



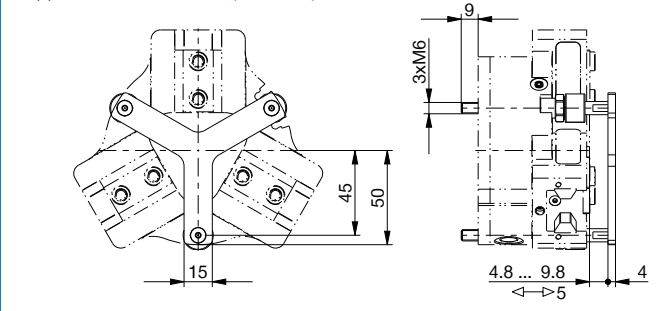
For each gripper jaw, one interchangeable jaw loose part set ⁽³⁾ and one interchangeable jaw fixed part ⁽⁴⁾ are needed



Compensation module for compensating for the height differences between the pneumatic and electric gripper version



Gripper is fastened via the pressure piece



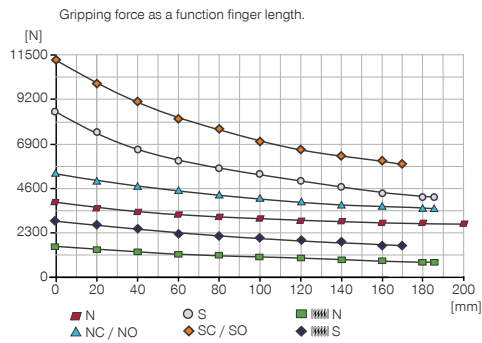
3-JAW CONCENTRIC GRIPPERS

INSTALLATION SIZE GPD5013

▶ PRODUCT SPECIFICATIONS

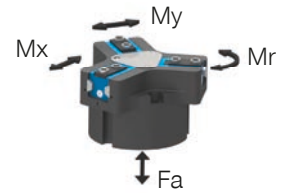


▶ Gripping force diagram



▶ Forces and moments

Displays static forces and moments that can also have an effect, besides the gripping force.



Mr [Nm]	110
Mx [Nm]	150
My [Nm]	130
Fa [N]	3300

▶ TECHNICAL DATA

Order no.	▶ Technical Data*					
	GPD5013N	GPD5013NC	GPD5013NO	GPD5013S	GPD5013SC	GPD5013SO
Stroke per jaw [mm]	13	13	13	6	6	6
Gripping force in closing [N]	3770	5060		8310	11160	
Gripping force in opening [N]	3910		5200	8600		11450
Gripping force secured by spring min. [N]		1290	1290		2850	2850
Closing time [s]	0.19	0.15	0.25	0.19	0.15	0.25
Opening time [s]	0.19	0.25	0.15	0.19	0.25	0.15
Weight per jaw max. [kg]	2.4	2.4	2.4	2.4	2.4	2.4
Length of the gripper fingers max. [mm]	200	185	185	185	170	170
Repetition accuracy +/- [mm]	0.01	0.01	0.01	0.01	0.01	0.01
Operating pressure min. [bar]	3	4	4	3	4	4
Operating pressure max. [bar]	8	7	7	8	7	7
Operating temperature [°C]	-10 ... +90	-10 ... +90	-10 ... +90	-10 ... +90	-10 ... +90	-10 ... +90
Air volume per cycle [cm³]	230	415	415	230	415	415
Protection to IEC 60529	IP64	IP64	IP64	IP64	IP64	IP64
Weight [kg]	2.6	3.5	3.5	2.6	3.5	3.5

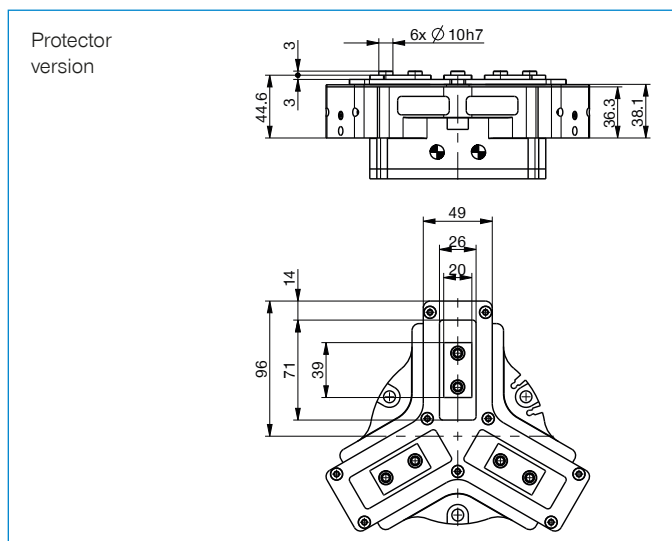
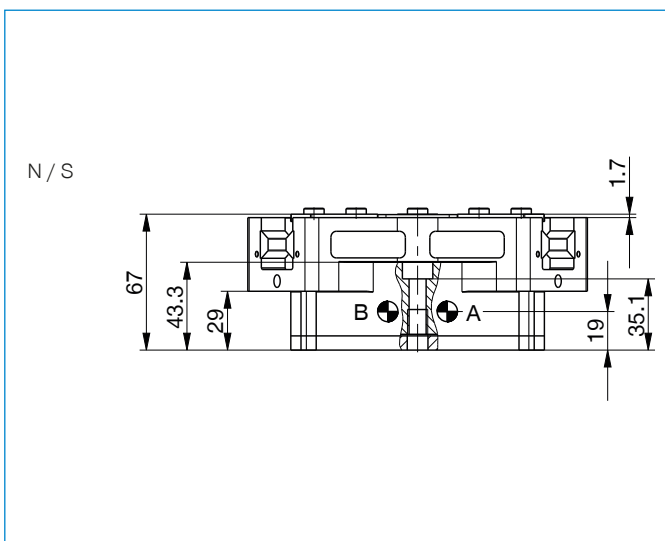
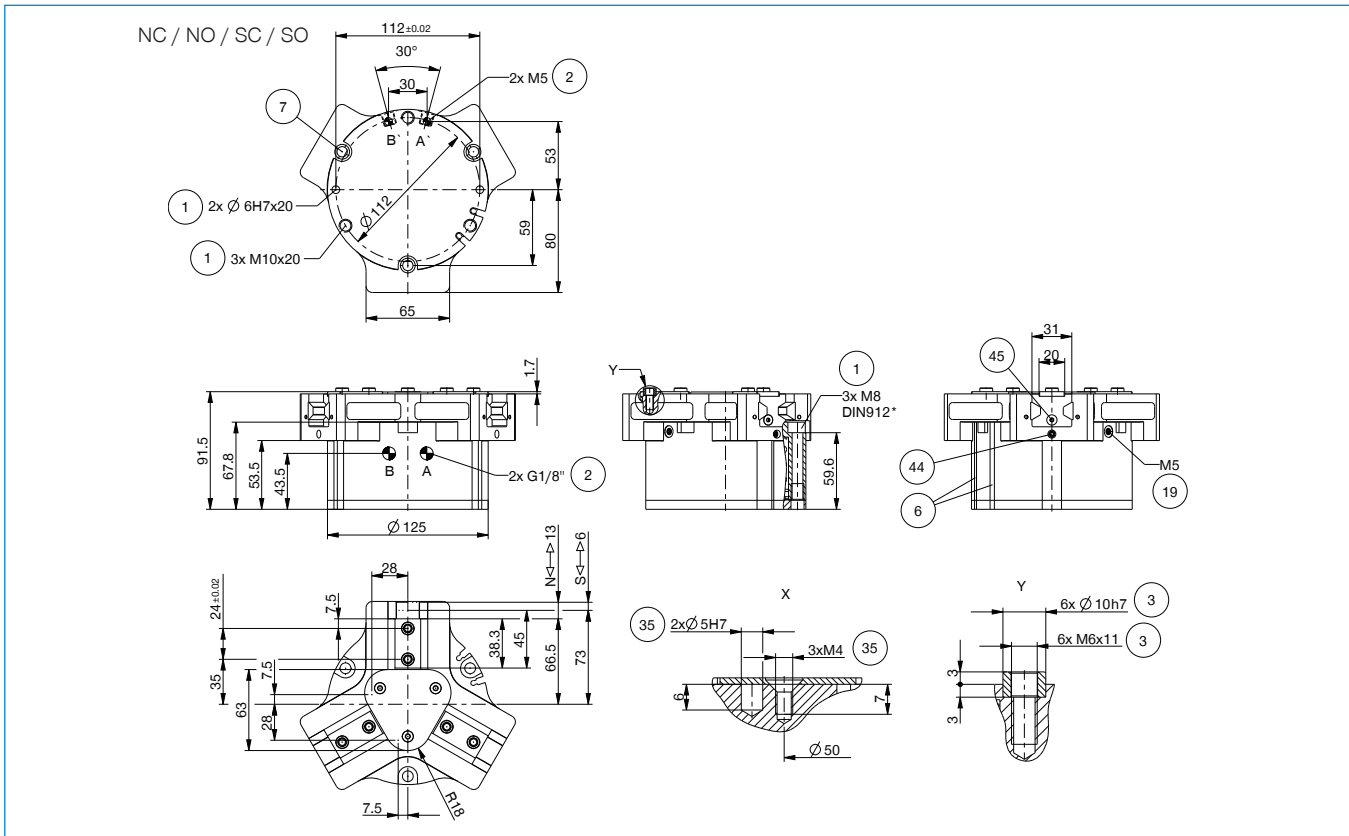
Order no.	▶ Technical Data - Protector Version					
	GPD5013NP	GPD5013NCP	GPD5013NOP	GPD5013SP	GPD5013SCP	GPD5013SOP
Protection to IEC 60529	IP67**	IP67**	IP67**	IP67**	IP67**	IP67**
Weight [kg]	3.15	4.05	4.05	3.15	4.05	4.05

Order no.	▶ Technical Data - High Temperature Version					
	GPD5013NT	GPD5013NCT	GPD5013NOT	GPD5013ST	GPD5013SCT	GPD5013SOT
Operating temperature [°C]	-10 ... +130	-10 ... +130	-10 ... +130	-10 ... +130	-10 ... +130	-10 ... +130

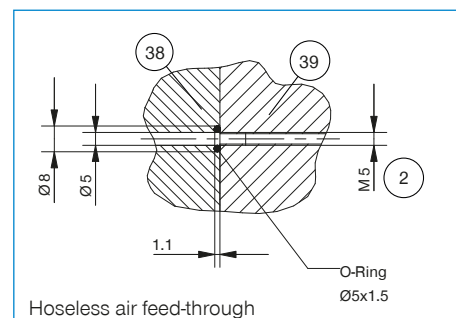
*All data measured at 6 bar

** with purged air

TECHNICAL DRAWINGS

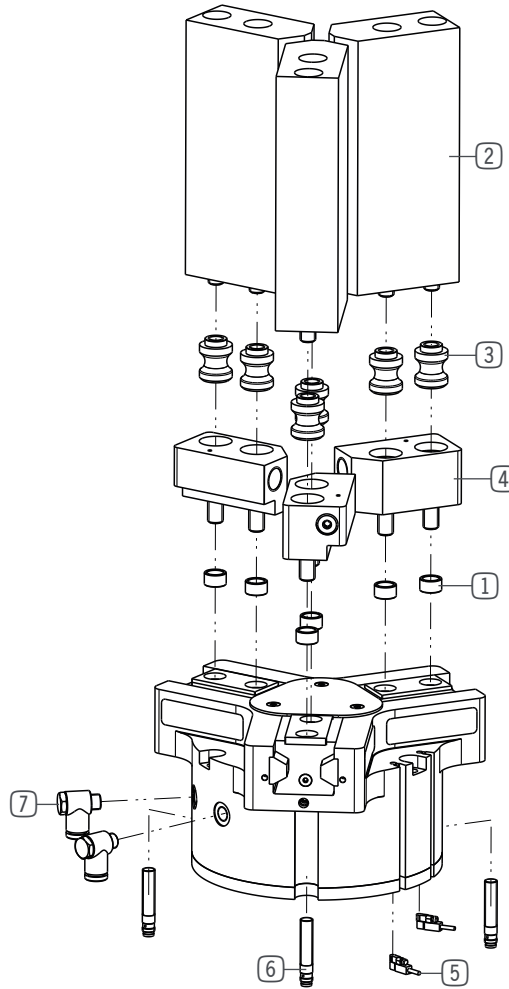


- ① Gripper attachment
- ② Energy supply
- ③ Fixing for gripper finger
- ⑥ Integrated slot for magnetic field sensor
- ⑦ Mounting block
- ⑱ Air purge connection option
- ⑳ Attachment option for customer-specific fittings
- ㉑ Adapter
- ㉒ Gripper
- ㉓ Clamp for sensor
- ㉔ Switch cam adjustment
- Ⓐ Air connection (close)
- Ⓑ Air connection (open)
- Ⓐ Air connection, alternative (close)
- Ⓑ Air connection, alternative (open)



3-JAW CONCENTRIC GRIPPERS

INSTALLATION SIZE GPD5013



▶ INCLUDED IN DELIVERY



Centering Disc

018187

► RECOMMENDED ACCESSORIES



Universal jaw aluminium

UB5013AL



Universal jaw steel

UB5013ST



Pressure piece N / S

ADS5013-01



Pressure piece NC / NO / SC / SO

ADS5013-02



Changeable jaw, loose-part-set

WB5013L



Changeable jaw, fix-part

WB5013F



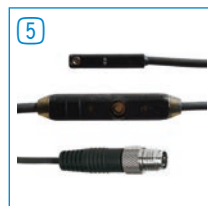
Magnetic field sensor Angled Cable 0,3 m - Connector M8

MFS103SKHC



Magnetic field sensor Straight Cable 0,3 m - Connector M8

MFS204SKHC



2-Position-Sensor Cable 0,3 m - Connector M8

MFSP2SKHC-01



Inductive proximity switch - Connector M8

NJ8-E2S



Plug-in connector Angled Cable 5m - Socket M8 (female)

KAW500



Plug-in connector Straight Cable 5m - Socket M8 (female)

KAG500



Angled Fittings - Quick Connect Style

WV1-8X6



Straight Fittings - Quick Connect Style

GV1-8X6

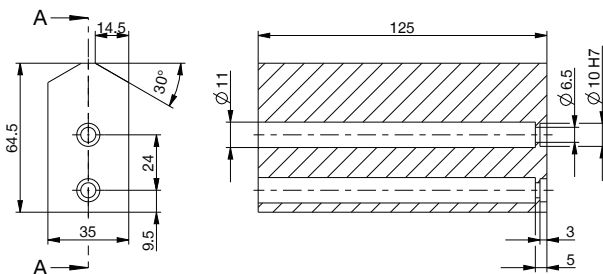


Pressure Safety Valve

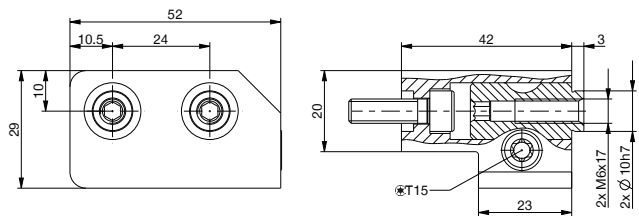
DSV1-8

► TECHNICAL DRAWINGS ACCESSORIES

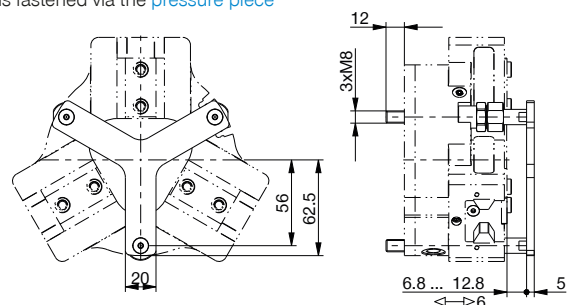
One universal jaw is required for each gripper jaw **(2)** A-A



For each gripper jaw, one interchangeable jaw loose part set **(3)** and one interchangeable jaw fixed part **(4)** are needed



Gripper is fastened via the **pressure piece**



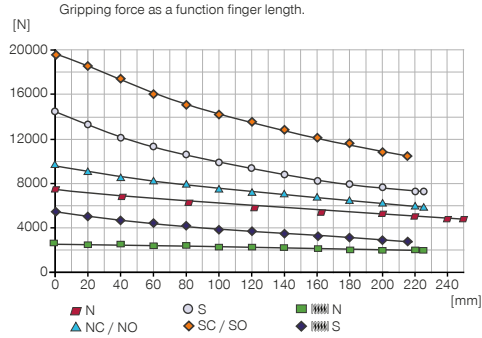
3-JAW CONCENTRIC GRIPPERS

INSTALLATION SIZE GPD5016

▶ PRODUCT SPECIFICATIONS



▶ Gripping force diagram



▶ Forces and moments

Displays static forces and moments that can also have an effect, besides the gripping force.



Mr [Nm]	145
Mx [Nm]	195
My [Nm]	185
Fa [N]	5200

▶ TECHNICAL DATA

Order no.	▶ Technical Data*					
	GPD5016N	GPD5016NC	GPD5016NO	GPD5016S	GPD5016SC	GPD5016SO
Stroke per jaw [mm]	16	16	16	8	8	8
Gripping force in closing [N]	6870	9240		14700	19780	
Gripping force in opening [N]	7120		9490	15250		20330
Gripping force secured by spring min. [N]		2370	2370		5080	5080
Closing time [s]	0.4	0.3	0.5	0.4	0.3	0.5
Opening time [s]	0.4	0.5	0.3	0.4	0.5	0.3
Weight per jaw max. [kg]	3.8	3.8	3.8	3.8	3.8	3.8
Length of the gripper fingers max. [mm]	245	225	225	225	215	215
Repetition accuracy +/- [mm]	0.02	0.02	0.02	0.02	0.02	0.02
Operating pressure min. [bar]	3	4	4	3	4	4
Operating pressure max. [bar]	8	7	7	8	7	7
Operating temperature [°C]	-10 ... +90	-10 ... +90	-10 ... +90	-10 ... +90	-10 ... +90	-10 ... +90
Air volume per cycle [cm³]	525	925	925	525	925	925
Protection to IEC 60529	IP64	IP64	IP64	IP64	IP64	IP64
Weight [kg]	5.7	7.5	7.5	5.7	7.5	7.5

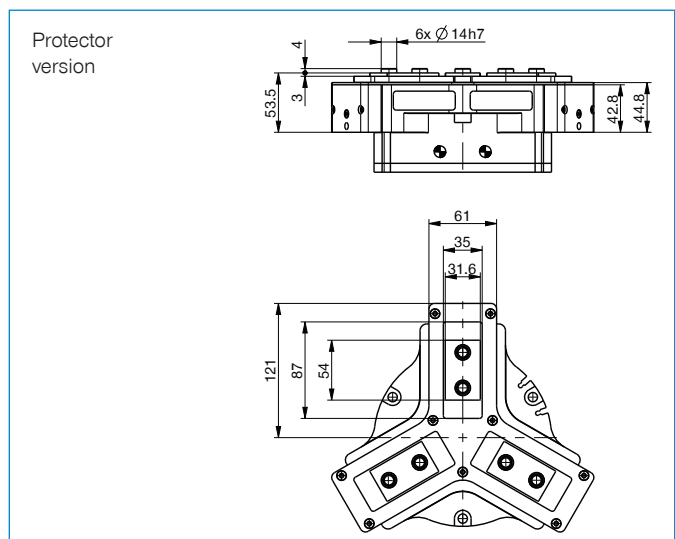
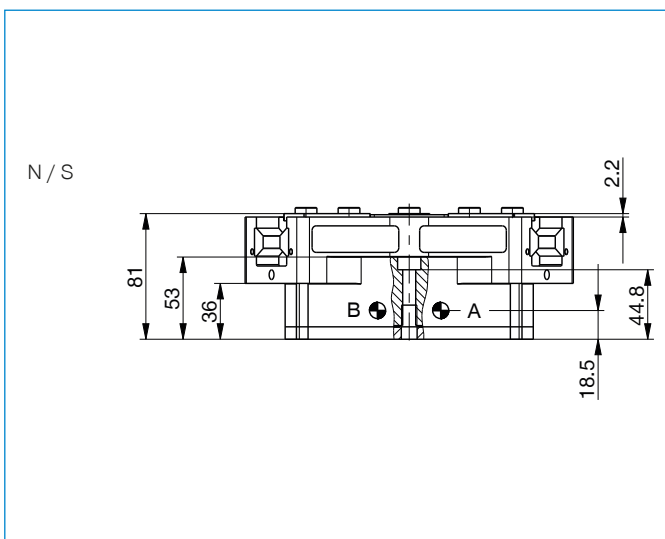
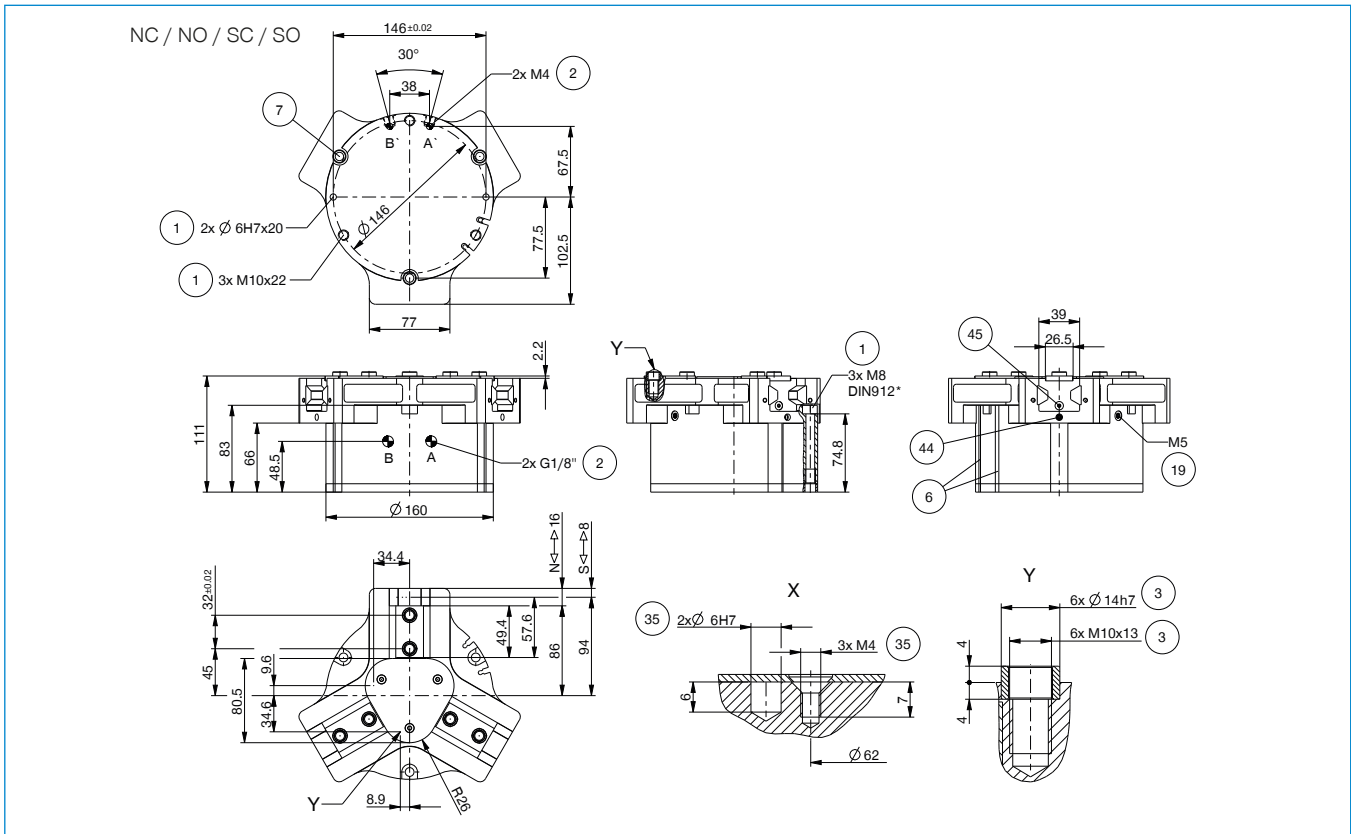
Order no.	▶ Technical Data - Protector Version					
	GPD5016NP	GPD5016NCP	GPD5016NOP	GPD5016SP	GPD5016SCP	GPD5016SOP
Protection to IEC 60529	IP67**	IP67**	IP67**	IP67**	IP67**	IP67**
Weight [kg]	6.8	8.6	8.6	6.8	8.6	8.6

Order no.	▶ Technical Data - High Temperature Version					
	GPD5016NT	GPD5016NCT	GPD5016NOT	GPD5016ST	GPD5016SCT	GPD5016SOT
Operating temperature [°C]	-10 ... +130	-10 ... +130	-10 ... +130	-10 ... +130	-10 ... +130	-10 ... +130

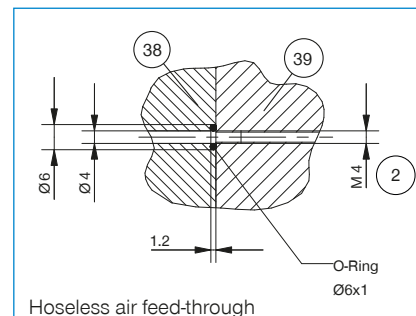
*All data measured at 6 bar

** with purged air

TECHNICAL DRAWINGS



- ① Gripper attachment
- ② Energy supply
- ③ Fixing for gripper finger
- ⑥ Integrated slot for magnetic field sensor
- ⑦ Mounting block
- ⑱ Air purge connection option
- ⑳ Attachment option for customer-specific fittings
- ㉑ Adapter
- ㉒ Gripper
- ㉓ Clamp for sensor
- ㉔ Switch cam adjustment
- Ⓐ Air connection (close)
- Ⓑ Air connection (open)
- Ⓐ Air connection, alternative (close)
- Ⓑ Air connection, alternative (open)

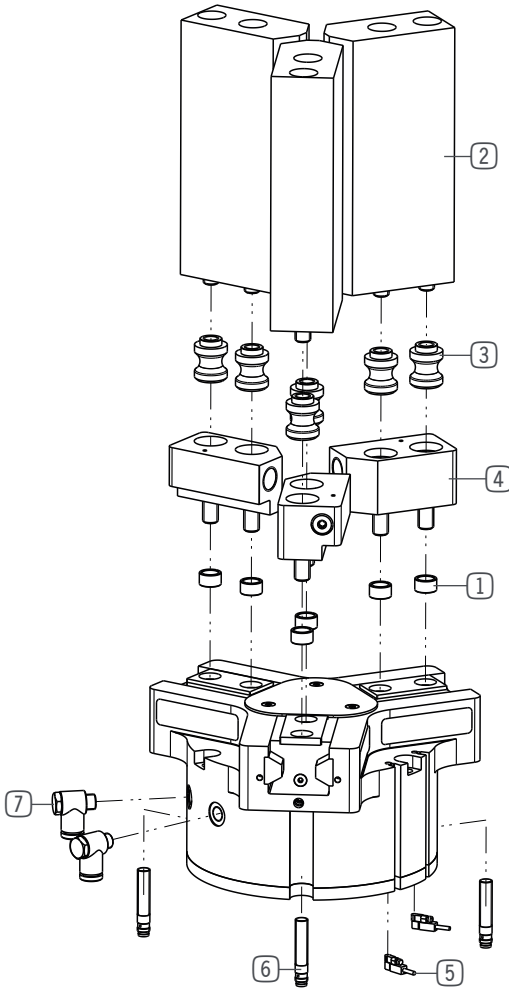


3-JAW CONCENTRIC GRIPPERS

INSTALLATION SIZE GPD5016

2

Installation size GPD5016 / 3-Jaw Concentric Grippers / pneumatic / Grippers



▶ INCLUDED IN DELIVERY



Centering Disc

019387

► RECOMMENDED ACCESSORIES



Universal jaw aluminium

UB5016AL



Universal jaw steel

UB5016ST



Pressure piece N / S

ADS5016-01



Pressure piece NC / NO / SC / SO

ADS5016-02



Changeable jaw, loose-part-set

WB5016L



Changeable jaw, fix-part

WB5016F



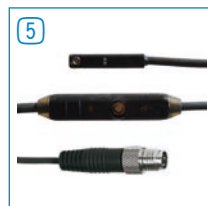
Magnetic field sensor Angled Cable 0,3 m - Connector M8

MFS103SKHC



Magnetic field sensor Straight Cable 0,3 m - Connector M8

MFS204SKHC



2-Position-Sensor Cable 0,3 m - Connector M8

MFSP2SKHC-01



Inductive proximity switch - Connector M8

NJ8-E2S



Plug-in connector Angled Cable 5m - Socket M8 (female)

KAW500



Plug-in connector Straight Cable 5m - Socket M8 (female)

KAG500



Angled Fittings - Quick Connect Style

WV1-8X8



Straight Fittings - Quick Connect Style

GV1-8X8



Pressure Safety Valve

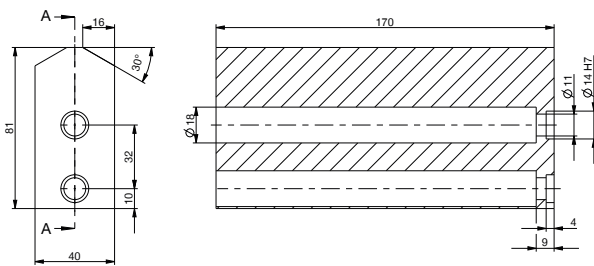
DSV1-8

► TECHNICAL DRAWINGS ACCESSORIES

One universal jaw is required for each gripper jaw **2**

2

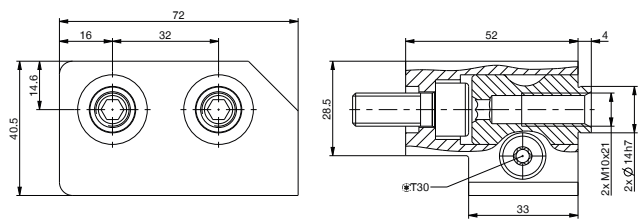
A-A



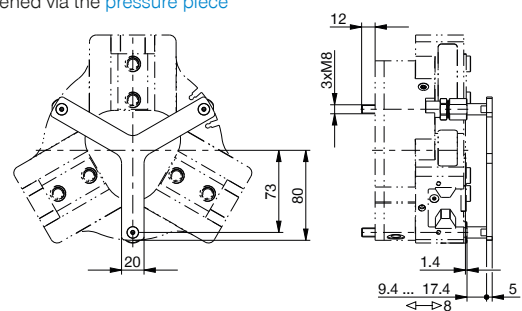
For each gripper jaw, one interchangeable jaw loose part set **3** and one interchangeable jaw fixed part **4** are needed

3

4



Gripper is fastened via the **pressure piece**



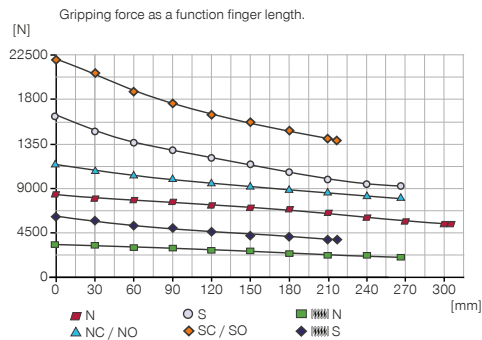
3-JAW CONCENTRIC GRIPPERS

INSTALLATION SIZE GPD5025

▶ PRODUCT SPECIFICATIONS



▶ Gripping force diagram



▶ Forces and moments

Displays static forces and moments that can also have an effect, besides the gripping force.



Mr [Nm]	180
Mx [Nm]	205
My [Nm]	225
Fa [N]	7500

▶ TECHNICAL DATA

Order no.	▶ Technical Data*					
	GPD5025N	GPD5025NC	GPD5025NO	GPD5025S	GPD5025SC	GPD5025SO
Stroke per jaw [mm]	25	25	25	14	14	14
Gripping force in closing [N]	8430	11560		16240	22270	
Gripping force in opening [N]	8730		11860	16820		22850
Gripping force secured by spring min. [N]		3130	3130		6030	6030
Closing time [s]	0.6	0.6	1.0	0.6	0.6	1.0
Opening time [s]	0.6	1.0	0.6	0.6	1.0	0.6
Weight per jaw max. [kg]	7	7	7	7	7	7
Length of the gripper fingers max. [mm]	310	265	265	265	220	220
Repetition accuracy +/- [mm]	0.05	0.05	0.05	0.05	0.05	0.05
Operating pressure min. [bar]	3	4	4	3	4	4
Operating pressure max. [bar]	8	7	7	8	7	7
Operating temperature [°C]	-10 ... +90	-10 ... +90	-10 ... +90	-10 ... +90	-10 ... +90	-10 ... +90
Air volume per cycle [cm³]	1025	1750	1750	1025	1750	1750
Protection to IEC 60529	IP64	IP64	IP64	IP64	IP64	IP64
Weight [kg]	11.8	15.4	15.4	11.8	15.4	15.4

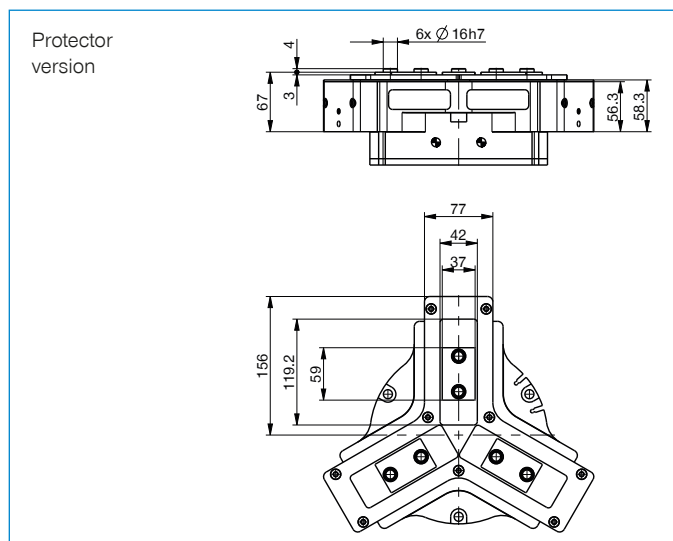
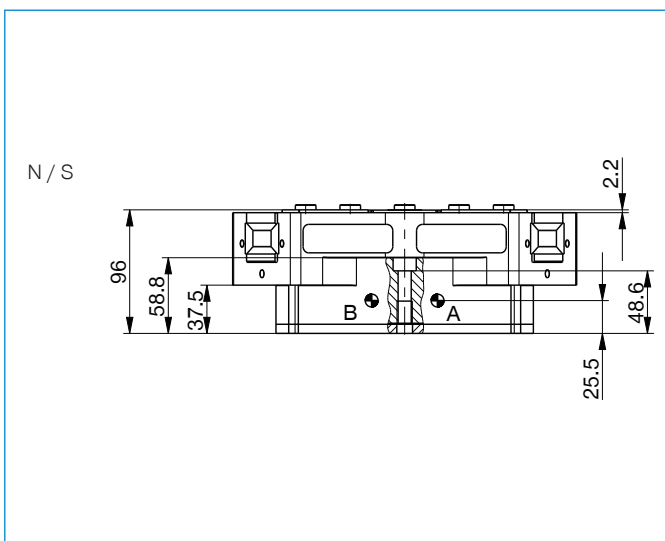
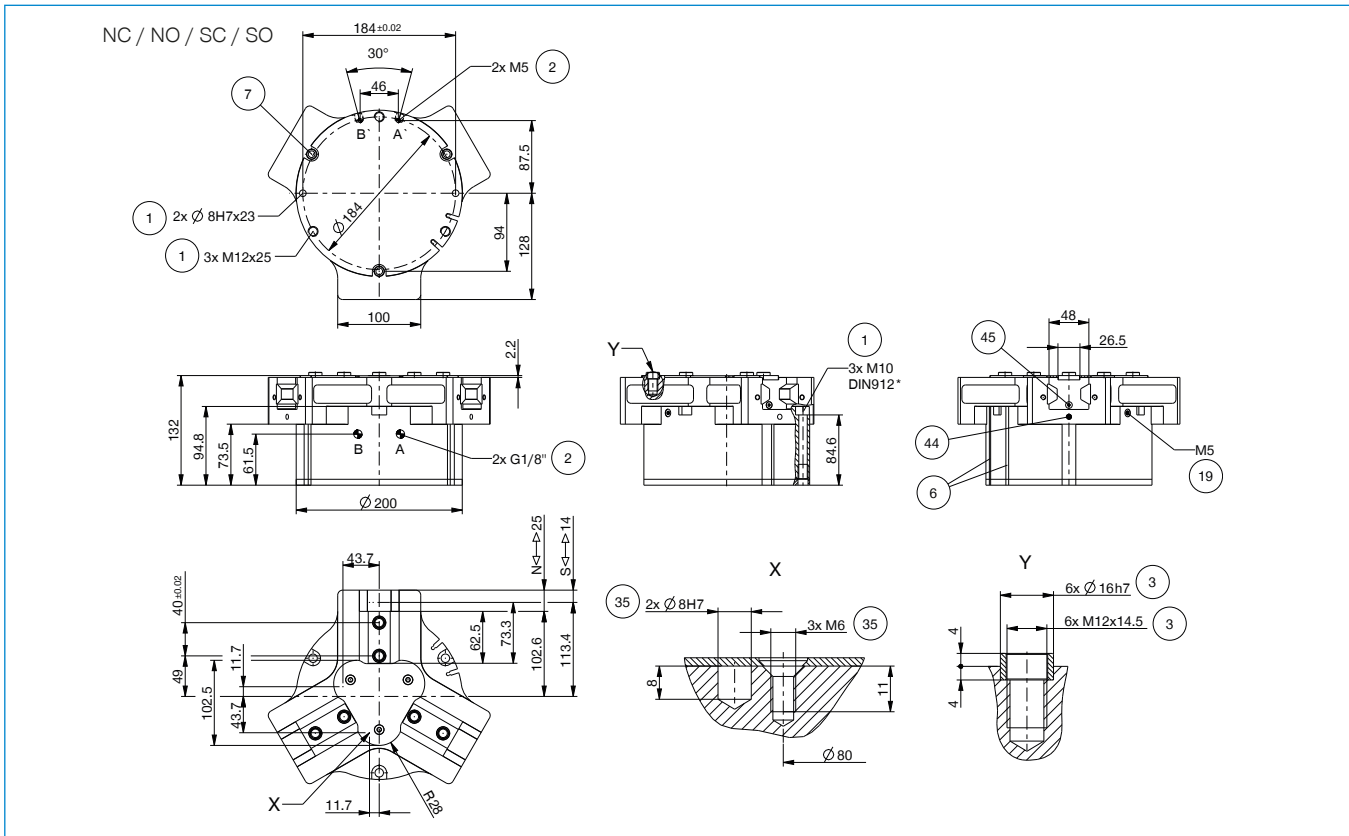
Order no.	▶ Technical Data - Protector Version					
	GPD5025NP	GPD5025NCP	GPD5025NOP	GPD5025SP	GPD5025SCP	GPD5025SOP
Protection to IEC 60529	IP67**	IP67**	IP67**	IP67**	IP67**	IP67**
Weight [kg]	14	17.6	17.6	14	17.6	17.6

Order no.	▶ Technical Data - High Temperature Version					
	GPD5025NT	GPD5025NCT	GPD5025NOT	GPD5025ST	GPD5025SCT	GPD5025SOT
Operating temperature [°C]	-10 ... +130	-10 ... +130	-10 ... +130	-10 ... +130	-10 ... +130	-10 ... +130

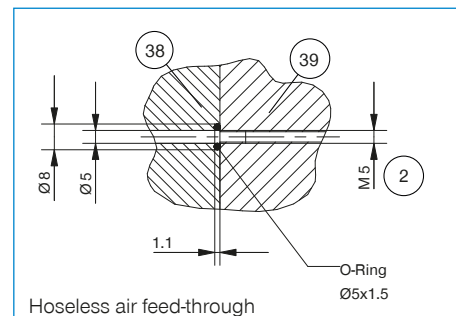
*All data measured at 6 bar

** with purged air

TECHNICAL DRAWINGS

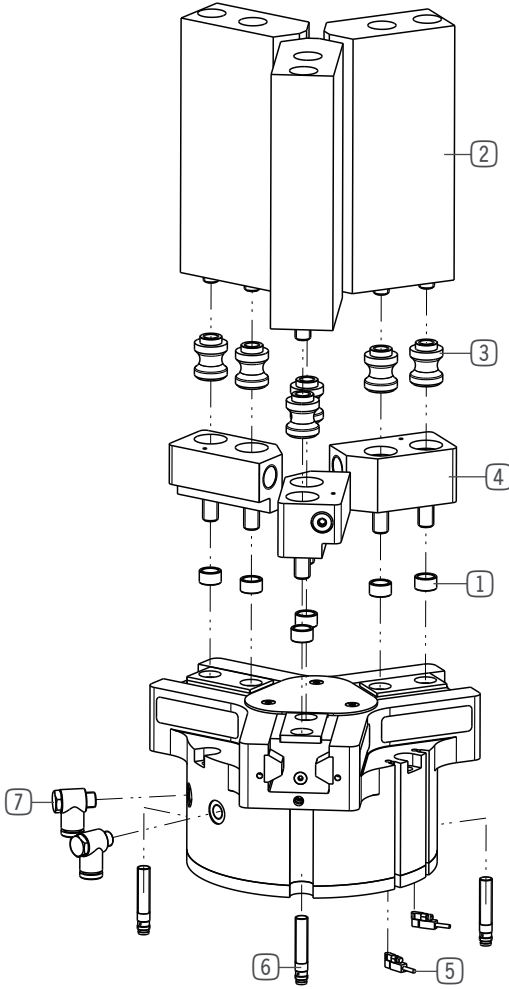


- ① Gripper attachment
- ② Energy supply
- ③ Fixing for gripper finger
- ⑥ Integrated slot for magnetic field sensor
- ⑦ Mounting block
- ⑱ Air purge connection option
- ⑳ Attachment option for customer-specific fittings
- ㉑ Adapter
- ㉒ Gripper
- ㉓ Clamp for sensor
- ㉔ Switch cam adjustment
- Ⓐ Air connection (close)
- Ⓑ Air connection (open)
- Ⓐ Air connection, alternative (close)
- Ⓑ Air connection, alternative (open)



3-JAW CONCENTRIC GRIPPERS

INSTALLATION SIZE GPD5025



INCLUDED IN DELIVERY



Centering Disc

030529

► RECOMMENDED ACCESSORIES



Universal jaw aluminium

UB5025AL



Universal jaw steel

UB5025ST



Pressure piece N / S

ADS5025-01



Pressure piece NC / NO / SC / SO

ADS5025-02



Changeable jaw, loose-part-set

WB5025L



Changeable jaw, fix-part

WB5025F



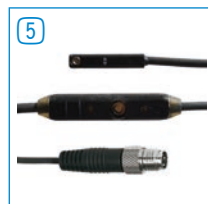
Magnetic field sensor Angled Cable 0,3 m - Connector M8

MFS103SKHC



Magnetic field sensor Straight Cable 0,3 m - Connector M8

MFS204SKHC



2-Position-Sensor Cable 0,3 m - Connector M8

MFSP2SKHC-01



Inductive proximity switch - Connector M8

NJ8-E2S



Plug-in connector Angled Cable 5m - Socket M8 (female)

KAW500



Plug-in connector Straight Cable 5m - Socket M8 (female)

KAG500



Angled Fittings - Quick Connect Style

WV1-8X8



Straight Fittings - Quick Connect Style

GV1-8X8



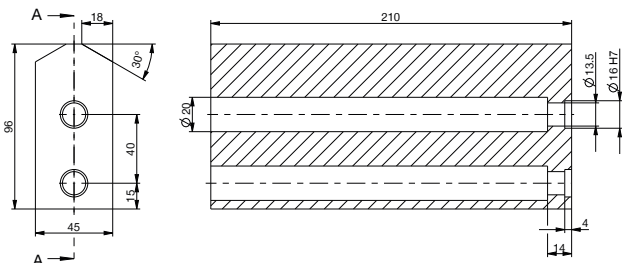
Pressure Safety Valve

DSV1-8

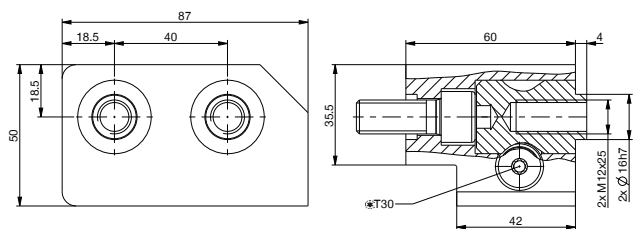
► TECHNICAL DRAWINGS ACCESSORIES

One universal jaw is required for each gripper jaw **2**

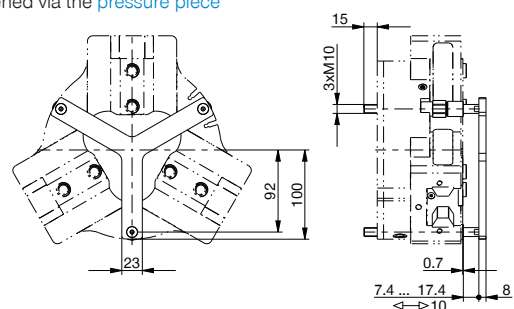
A-A



For each gripper jaw, one interchangeable jaw loose part set **3** and one interchangeable jaw fixed part **4** are needed



Gripper is fastened via the **pressure piece**



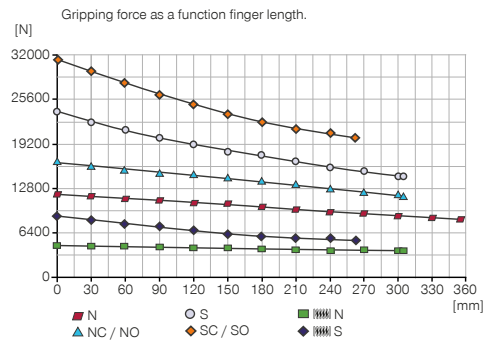
3-JAW CONCENTRIC GRIPPERS

INSTALLATION SIZE GPD5030

▶ PRODUCT SPECIFICATIONS

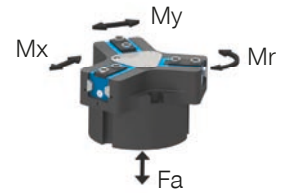


▶ Gripping force diagram



▶ Forces and moments

Displays static forces and moments that can also have an effect, besides the gripping force.



Mr [Nm]	210
Mx [Nm]	290
My [Nm]	310
Fa [N]	9500

▶ TECHNICAL DATA

Order no.	▶ Technical Data*					
	GPD5030N	GPD5030NC	GPD5030NO	GPD5030S	GPD5030SC	GPD5030SO
Stroke per jaw [mm]	30	30	30	17	17	17
Gripping force in closing [N]	12130	16560		23150	31620	
Gripping force in opening [N]	12540		16970	23930		32400
Gripping force secured by spring min. [N]		4430	4430		8470	8470
Closing time [s]	1.13	1.0	1.9	1.13	1.0	1.9
Opening time [s]	1.13	1.9	1.0	1.13	1.9	1.0
Weight per jaw max. [kg]	9.5	9.5	9.5	9.5	9.5	9.5
Length of the gripper fingers max. [mm]	355	305	305	305	260	260
Repetition accuracy +/- [mm]	0.05	0.05	0.05	0.05	0.05	0.05
Operating pressure min. [bar]	3	4	4	3	4	4
Operating pressure max. [bar]	8	7	7	8	7	7
Operating temperature [°C]	-10 ... +90	-10 ... +90	-10 ... +90	-10 ... +90	-10 ... +90	-10 ... +90
Air volume per cycle [cm³]	1780	3000	3000	1780	3000	3000
Protection to IEC 60529	IP64	IP64	IP64	IP64	IP64	IP64
Weight [kg]	21	27.5	27.5	21	27.5	27.5

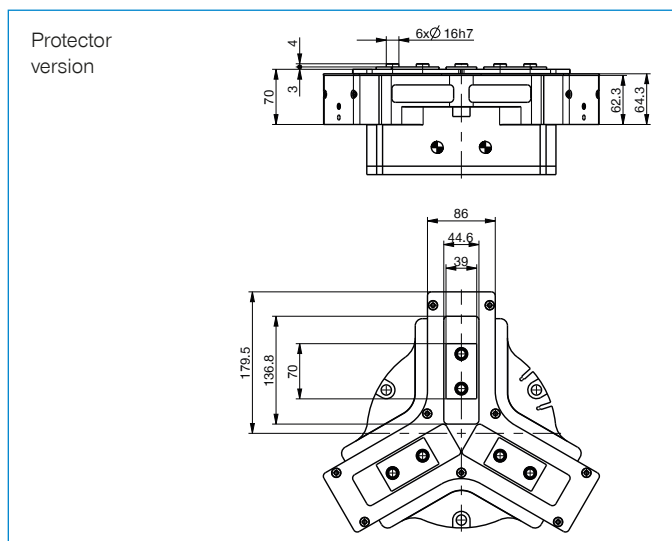
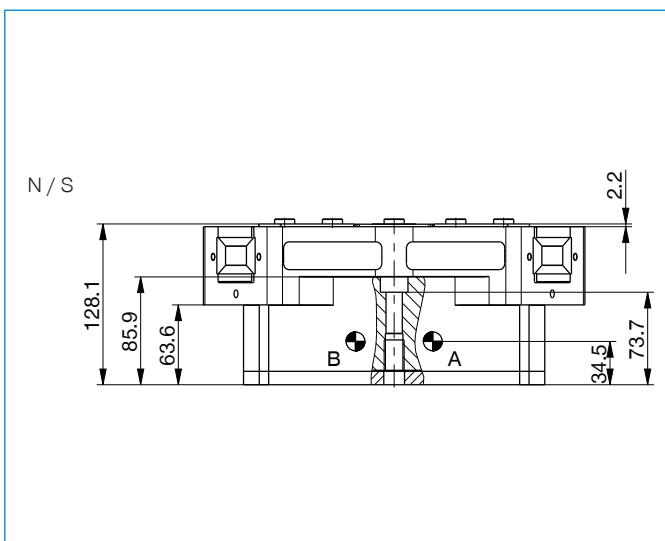
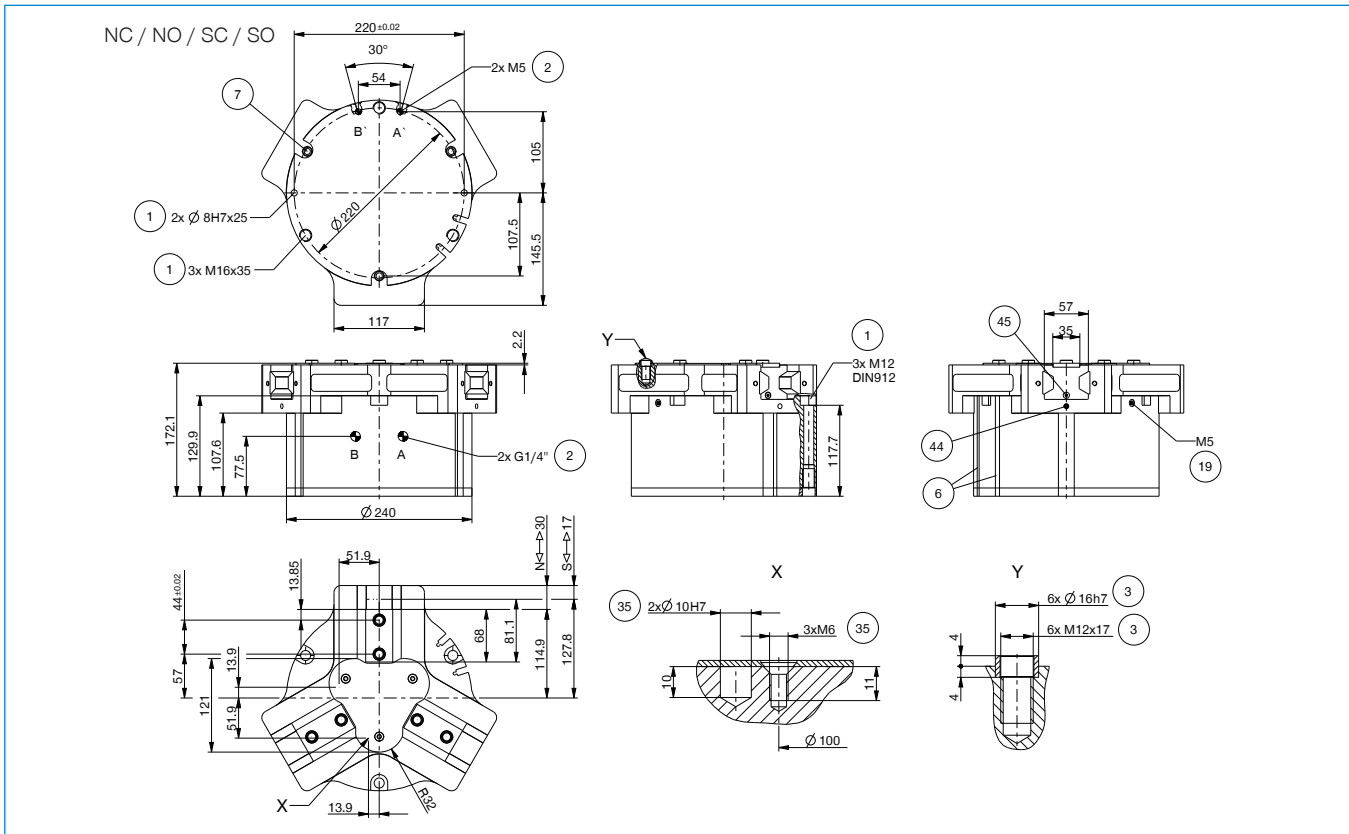
Order no.	▶ Technical Data - Protector Version					
	GPD5030NP	GPD5030NCP	GPD5030NOP	GPD5030SP	GPD5030SCP	GPD5030SOP
Protection to IEC 60529	IP67**	IP67**	IP67**	IP67**	IP67**	IP67**
Weight [kg]	24	30.5	30.5	24	30.5	30.5

Order no.	▶ Technical Data - High Temperature Version					
	GPD5030NT	GPD5030NCT	GPD5030NOT	GPD5030ST	GPD5030SCT	GPD5030SOT
Operating temperature [°C]	-10 ... +130	-10 ... +130	-10 ... +130	-10 ... +130	-10 ... +130	-10 ... +130

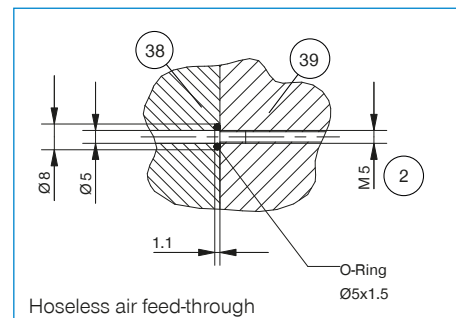
*All data measured at 6 bar

** with purged air

TECHNICAL DRAWINGS

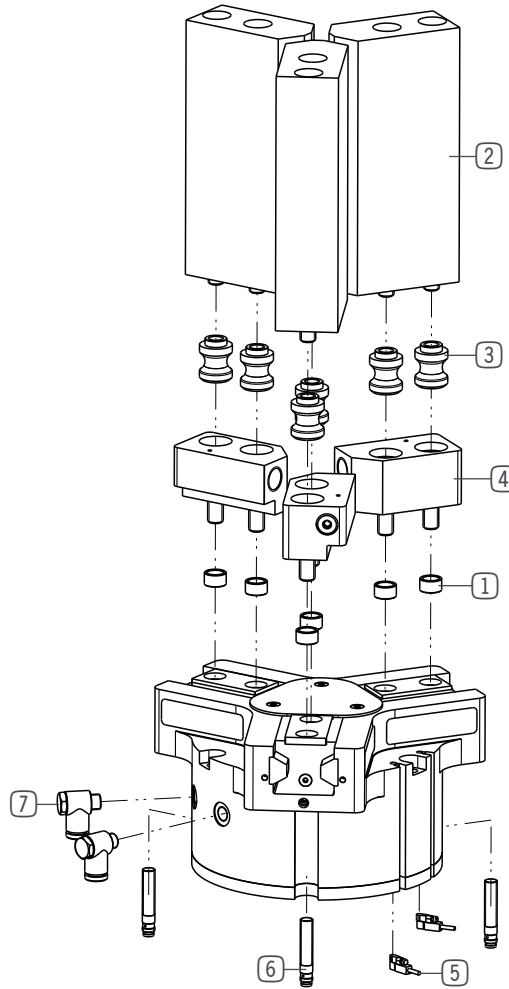


- ① Gripper attachment
- ② Energy supply
- ③ Fixing for gripper finger
- ⑥ Integrated slot for magnetic field sensor
- ⑦ Mounting block
- ⑱ Air purge connection option
- ⑳ Attachment option for customer-specific fittings
- ㉘ Adapter
- ㉙ Gripper
- ㉚ Clamp for sensor
- ㉛ Switch cam adjustment
- Ⓐ Air connection (close)
- Ⓑ Air connection (open)
- Ⓐ Air connection, alternative (close)
- Ⓑ Air connection, alternative (open)



3-JAW CONCENTRIC GRIPPERS

INSTALLATION SIZE GPD5030



▶ INCLUDED IN DELIVERY



Centering Disc

030529

► RECOMMENDED ACCESSORIES



Universal jaw aluminium

UB5030AL



Universal jaw steel

UB5030ST



Pressure piece N / S

ADS5030-01



Pressure piece NC / NO / SC / SO

ADS5030-02



Changeable jaw, loose-part-set

WB5030L



Changeable jaw, fix-part

WB5030F



Magnetic field sensor Angled Cable 0,3 m - Connector M8

MFS103SKHC



Magnetic field sensor Straight Cable 0,3 m - Connector M8

MFS204SKHC



2-Position-Sensor Cable 0,3 m - Connector M8

MFSP2SKHC-01



Inductive proximity switch - Connector M8

NJ8-E2S



Plug-in connector Angled Cable 5m - Socket M8 (female)

KAW500



Plug-in connector Straight Cable 5m - Socket M8 (female)

KAG500



Angled Fittings - Quick Connect Style

WV1-4X8



Straight Fittings - Quick Connect Style

GV1-4X8



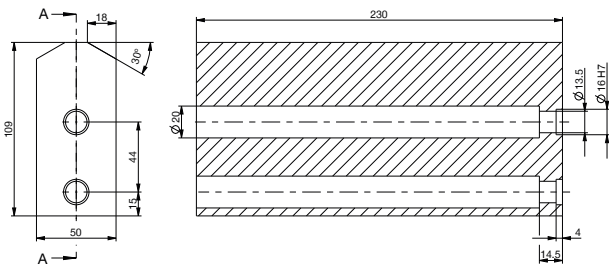
Pressure Safety Valve

DSV1-8

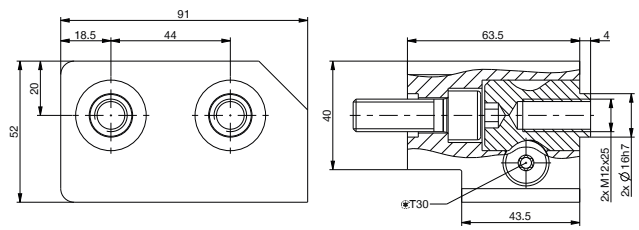
► TECHNICAL DRAWINGS ACCESSORIES

One universal jaw is required for each gripper jaw **(2)**

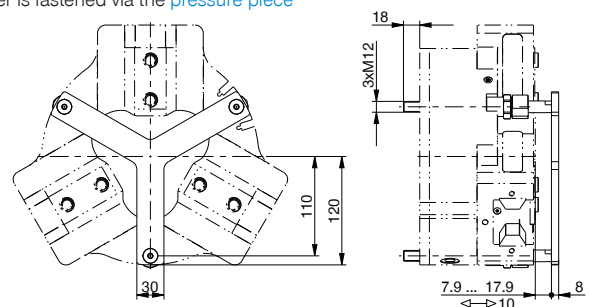
A-A



For each gripper jaw, one interchangeable jaw loose part set **(3)** and one interchangeable jaw fixed part **(4)** are needed



Gripper is fastened via the **pressure piece**



2-JAW PARALLEL GRIPPERS

SERIES GEP5000

▶ PRODUCT ADVANTAGES



“ALL in ONE”

- ▶ Approximately the same gripping force as a comparable pneumatic gripper
- ▶ Mechanical self limitation in case of power drop
- ▶ Same connection hole patterns as a comparable pneumatic gripper
- ▶ Plug and play – single-cable solution, supports incredibly easy control using I/O signals
- ▶ Integrated ACM control module - option of configuring gripping force, travel time and 3 switching points
- ▶ Protected from corrosion and sealed in accordance with IP64
- ▶ Brushless DC motor – up to 30 million cycles without maintenance

▶ THE BEST PRODUCT FOR YOUR APPLICATION



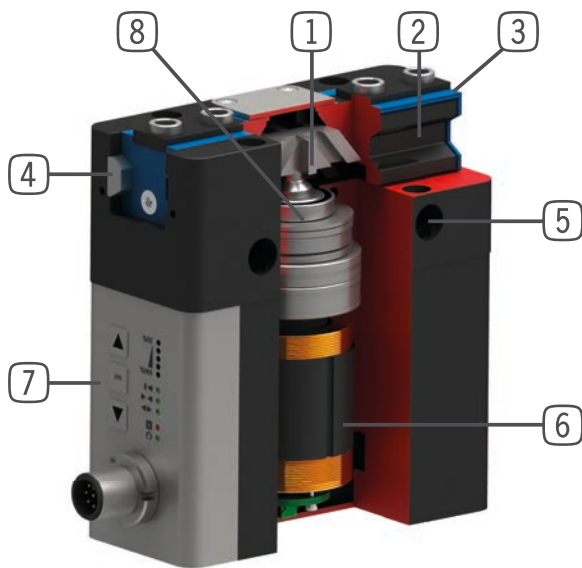
▶ Our products love the challenge!

Extreme conditions, all over the world—our tried and tested components and systems give you limitless possibilities:

Find the best product for your specific use:

www.zimmer-group.com

► BENEFITS IN DETAIL



- ① **Positively driven wedge hook transmission**
 - Supports to absorb high forces and moments
 - Synchronized gripper jaw movement
- ② **Gripper jaw**
 - DLC coated to protect against corrosion
 - Gripper fingers mounted using removable centring sleeves
 - Lubricated for life via incorporated lubrication slots
- ③ **Dual lip seal**
 - Enables IP64
 - Prevents grease from being squeezed out, increasing service life
- ④ **Steel Linear Guide**
 - Steel in steel guide
 - Enables use of extremely long gripper fingers
- ⑤ **Mounting and positioning**
 - Alternatively, on several sides for customized mounting
 - Pneumatic and electrical versions identical apart from height
- ⑥ **BLDC motor**
 - Wear-resistant brushless DC motor
- ⑦ **Advanced control module**
 - Integrated control module with single-cable solution
 - Gripping force, travel time and query programmable via the control panel on the housing
- ⑧ **Drive train**
 - Combination of trapezoidal spindle and gear
 - Durable and robust

► TERMS

Gripping force:	arithmetic sum of the individual forces occurring at the jaws
Gripping direction:	Movement toward the workpiece to be gripped
→ ←:	Gripping direction of external gripper
↔ :	Gripping direction of internal gripper
Travel time:	Time required for the complete stroke movement of the gripper jaws
Control time:	Response time of the gripping system
Work time:	Time from signal input until the signal output message, including travel time
Mode:	Travel time optimization by adapting to the gripping direction (N / NC / NO mode)
Repeatability:	at end stops after 50/100 consecutive cycles
Cycle:	Path that the gripper jaws travel for a complete opening and closing movement
Maintenance:	recommended at 30 mil. cycles (please see the installation instructions, download from www.zimmer-group.com)

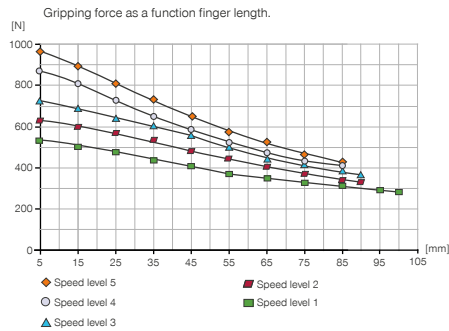
2-JAW PARALLEL GRIPPERS

INSTALLATION SIZE GEP5006

▶ PRODUCT SPECIFICATIONS

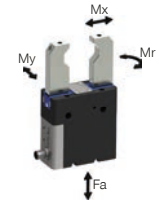


▶ Gripping force diagram



▶ Forces and moments

Displays static forces and moments that can also have an effect, besides the gripping force.



Mr [Nm]	43
Mx [Nm]	70
My [Nm]	46
Fa [N]	1250

▶ TECHNICAL DATA - BASIC VERSION

Order no.	Technical Data
	GEP5006N
Stroke per jaw [mm]	6
Control time [s]	0.035
Weight per jaw max. [kg]	0.4
Length of the gripper fingers max. [mm]*	100
Repetition accuracy +/- [mm]	0.01
Voltage [V]	24
Current consumption max. [A]	5
Operating temperature min. [°C]	5
Operating temperature max. [°C]	50
Protection to IEC 60529	IP64
Weight [kg]	0.79

*Depending on speed level selected

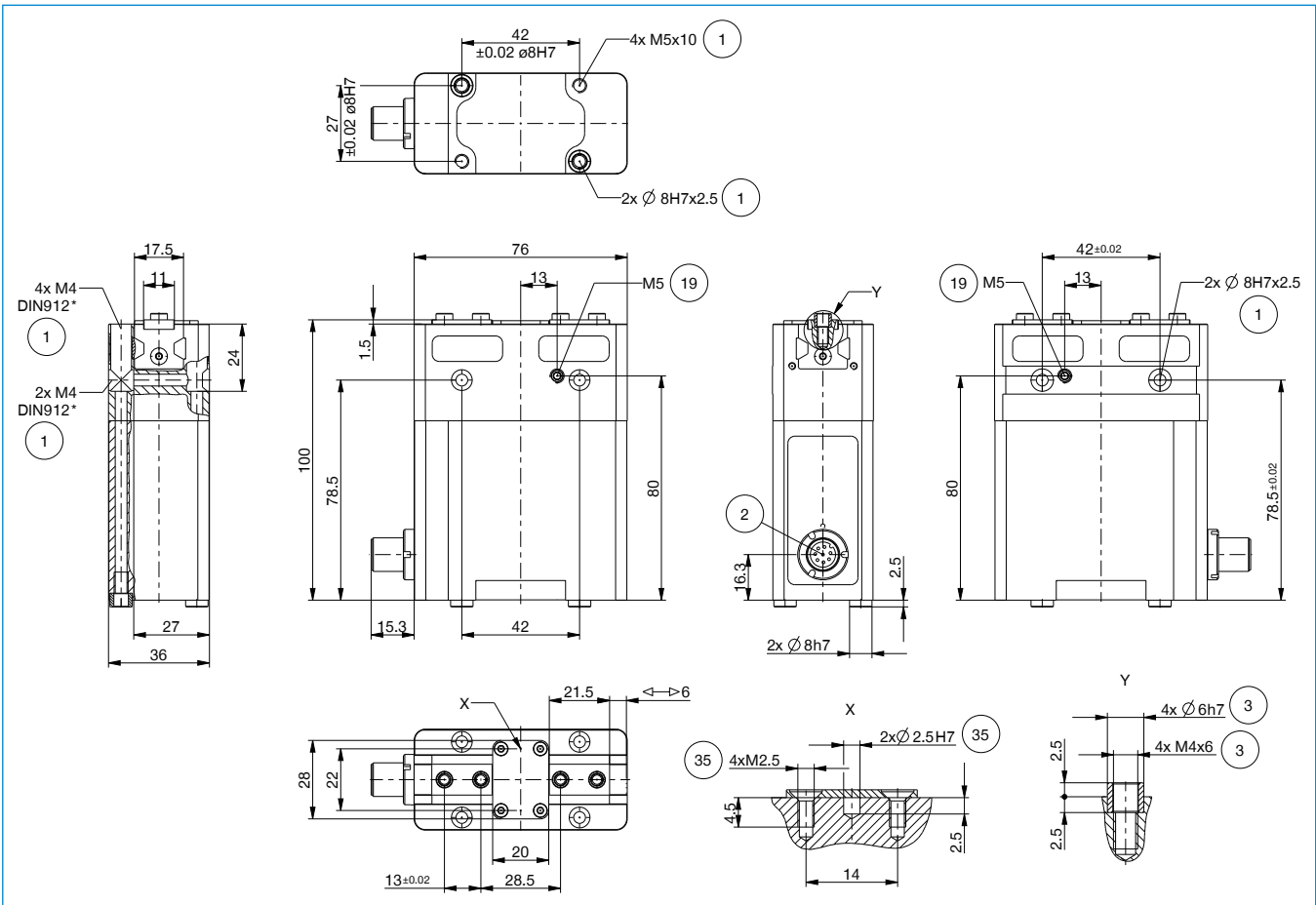
▶ TECHNICAL DATA - MODES

Order no.	Technical data - N mode
	GEP5006N
Gripping force → ← min. / max. [N]	540 / 960
Gripping force ↔ min. / max. [N]	540 / 960
Travel time → ← min. / max. [s]	0,15 / 0,22
Travel time ↔ min. / max. [s]	0,15 / 0,22

Order no.	Technical data - NC mode
	GEP5006N
Gripping force → ← min. / max. [N]	540 / 960
Gripping force ↔ min. / max. [N]	-
Travel time → ← min. / max. [s]	0,15 / 0,22
Travel time ↔ min. / max. [s]	0,13

Order no.	Technical data - NO mode
	GEP5006N
Gripping force → ← min. / max. [N]	-
Gripping force ↔ min. / max. [N]	540 / 960
Travel time → ← min. / max. [s]	0,13
Travel time ↔ min. / max. [s]	0,15 / 0,22

TECHNICAL DRAWINGS



① Gripper attachment

② Energy supply

③ Fixing for gripper finger

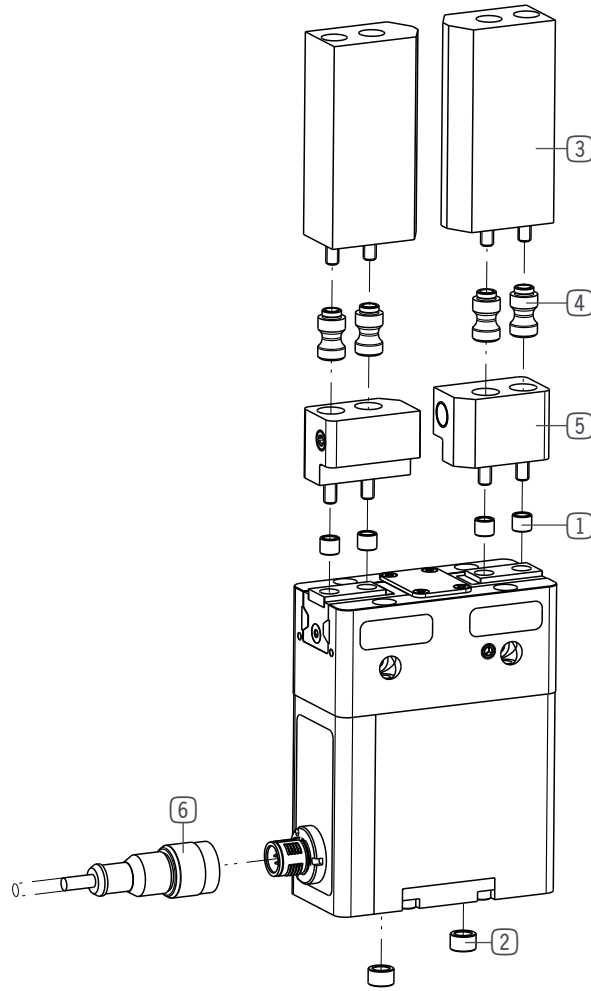
⑱ Air purge connection option

⑳ Attachment option for customer-specific fittings

2-JAW PARALLEL GRIPPERS

INSTALLATION SIZE GEP5006

Installation size GEP5006 / 2-Jaw Parallel Grippers / electric / Grippers



▶ INCLUDED IN DELIVERY



Centering Disc

024230



Centering Disc

024231

▶ RECOMMENDED ACCESSORIES



Universal jaw aluminium

UB5006AL



Universal jaw steel

UB5006ST



Changeable jaw, loose-part-set

WB5006L



Changeable jaw, fix-part

WB5006F



Plug-in Connector Angled Cable 10 m - Female M12

KAW1000B8



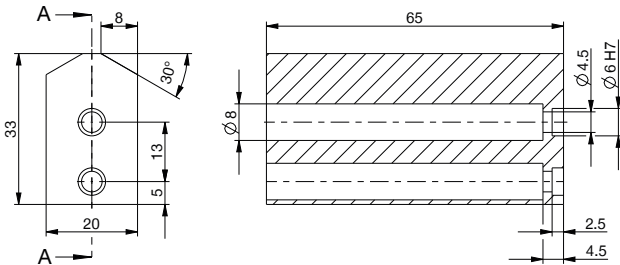
Plug-in Connector Straight Cable 10 m - Female M12

KAG1000B8

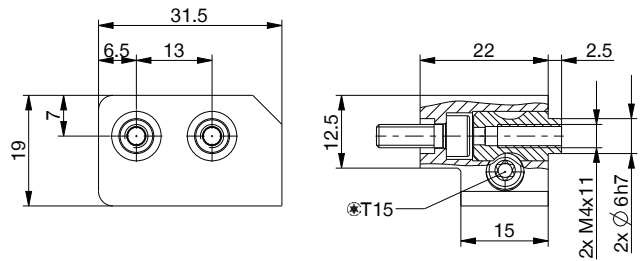
▶ TECHNICAL DRAWINGS ACCESSORIES

One universal jaw is required for each gripper jaw **3**

A-A



For each gripper jaw, one interchangeable jaw loose part set **4** and one interchangeable jaw fixed part **5** are needed



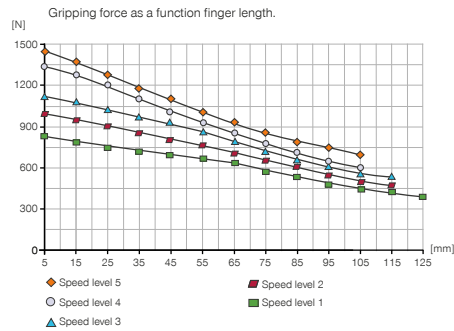
2-JAW PARALLEL GRIPPERS

INSTALLATION SIZE GEP5008

▶ PRODUCT SPECIFICATIONS



▶ Gripping force diagram



▶ Forces and moments

Displays static forces and moments that can also have an effect, besides the gripping force.



Mr [Nm]	60
Mx [Nm]	105
My [Nm]	65
Fa [N]	1900

▶ TECHNICAL DATA - BASIC VERSION

Order no.	Technical Data
	GEP5008N
Stroke per jaw [mm]	8
Control time [s]	0.035
Weight per jaw max. [kg]	0.7
Length of the gripper fingers max. [mm]*	125
Repetition accuracy +/- [mm]	0.01
Voltage [V]	24
Current consumption max. [A]	5
Operating temperature min. [°C]	5
Operating temperature max. [°C]	50
Protection to IEC 60529	IP64
Weight [kg]	1.16

*Depending on speed level selected

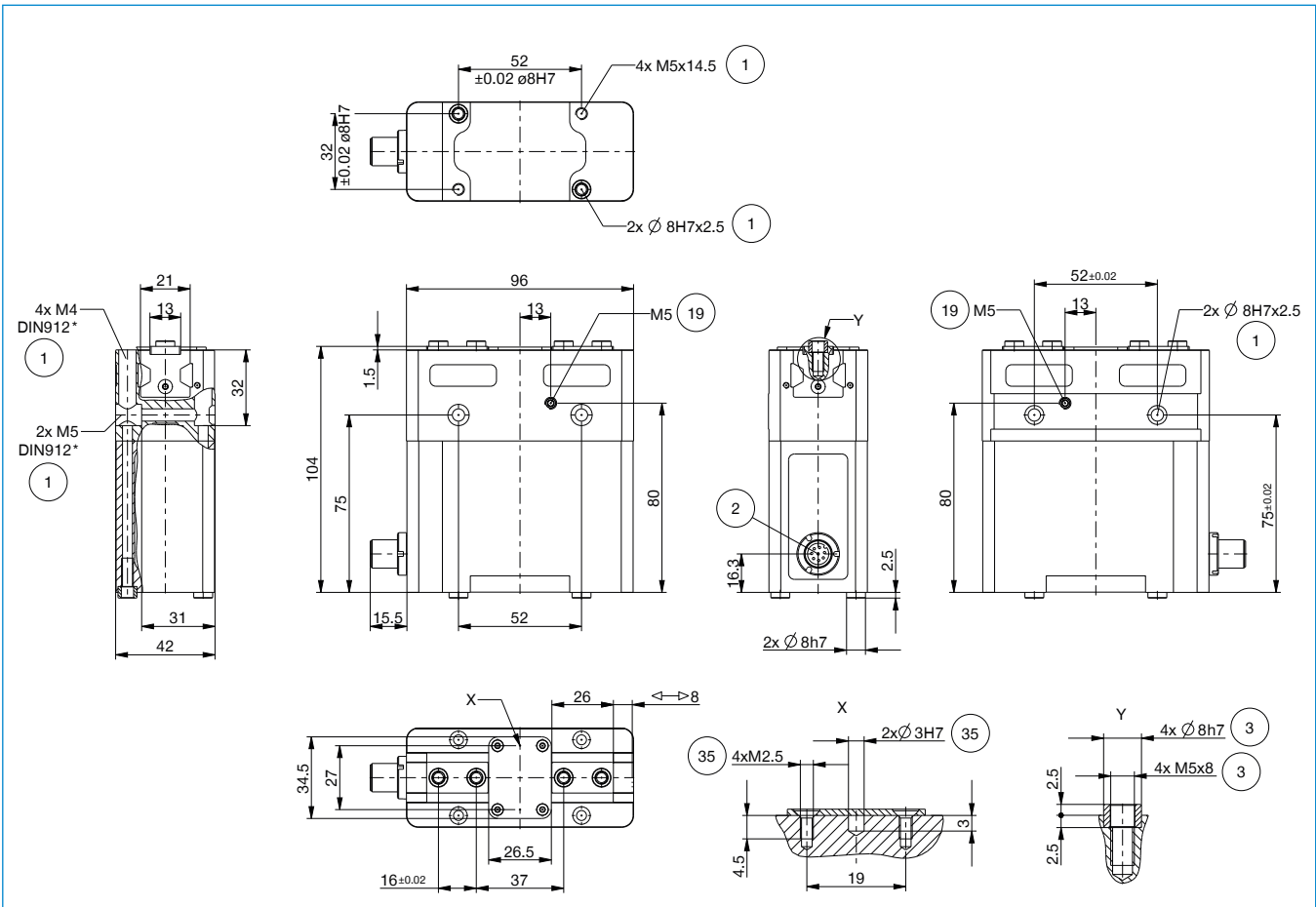
▶ TECHNICAL DATA - MODES

Order no.	Technical data - N mode
	GEP5008N
Gripping force → ← min. / max. [N]	800 / 1450
Gripping force ↔ min. / max. [N]	800 / 1450
Travel time → ← min. / max. [s]	0,18 / 0,29
Travel time ↔ min. / max. [s]	0,18 / 0,29

Order no.	Technical data - NC mode
	GEP5008N
Gripping force → ← min. / max. [N]	800 / 1450
Gripping force ↔ min. / max. [N]	-
Travel time → ← min. / max. [s]	0,18 / 0,29
Travel time ↔ min. / max. [s]	0,15

Order no.	Technical data - NO mode
	GEP5008N
Gripping force → ← min. / max. [N]	-
Gripping force ↔ min. / max. [N]	800 / 1450
Travel time → ← min. / max. [s]	0,15
Travel time ↔ min. / max. [s]	0,18 / 0,29

TECHNICAL DRAWINGS



① Gripper attachment

② Energy supply

③ Fixing for gripper finger

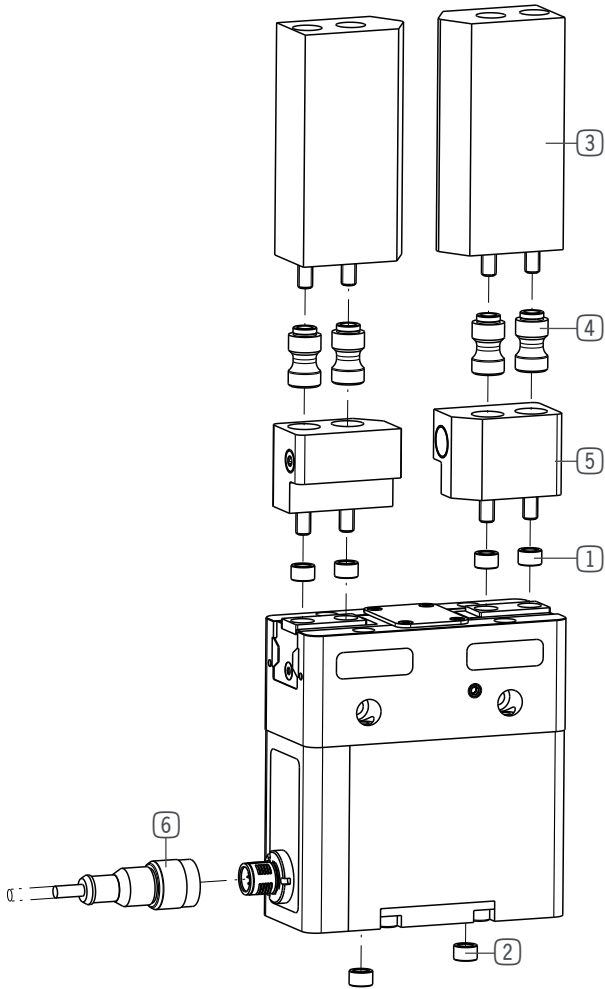
⑱ Air purge connection option

⑳ Attachment option for customer-specific fittings

2-JAW PARALLEL GRIPPERS

INSTALLATION SIZE GEP5008

Installation size GEP5008 / 2-Jaw Parallel Grippers / electric / Grippers



▶ INCLUDED IN DELIVERY



Centering Disc

024231

3

▶ RECOMMENDED ACCESSORIES



Universal jaw aluminium

UB5008AL



Universal jaw steel

UB5008ST



Changeable jaw, loose-part-set

WB5008L



Changeable jaw, fix-part

WB5008F



Plug-in Connector Angled Cable 10 m - Female M12

KAW1000B8

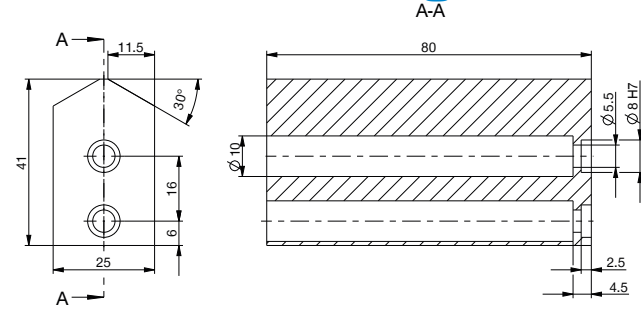


Plug-in Connector Straight Cable 10 m - Female M12

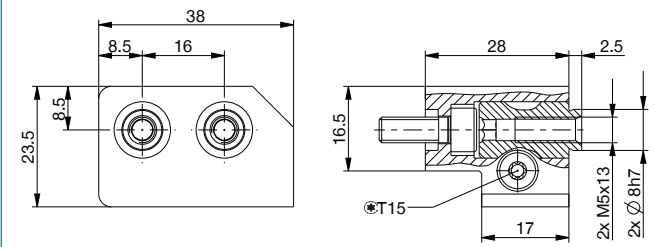
KAG1000B8

▶ TECHNICAL DRAWINGS ACCESSORIES

One universal jaw is required for each gripper jaw **3**



For each gripper jaw, one interchangeable jaw loose part set **4** and one interchangeable jaw fixed part **5** are needed



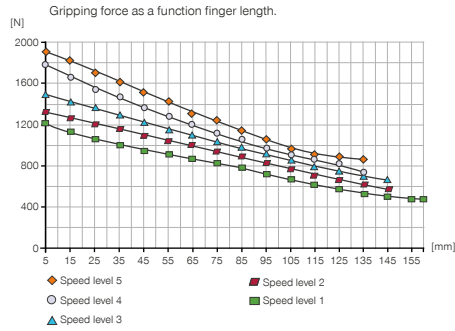
2-JAW PARALLEL GRIPPERS

INSTALLATION SIZE GEP5010

▶ PRODUCT SPECIFICATIONS

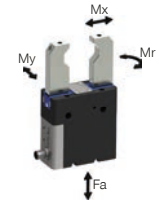


▶ Gripping force diagram



▶ Forces and moments

Displays static forces and moments that can also have an effect, besides the gripping force.



Mr [Nm]	75
Mx [Nm]	125
My [Nm]	95
Fa [N]	2700

▶ TECHNICAL DATA - BASIC VERSION

▶ Technical Data	
Order no.	GEP5010N
Stroke per jaw [mm]	10
Control time [s]	0.035
Weight per jaw max. [kg]	1.3
Length of the gripper fingers max. [mm]*	160
Repetition accuracy +/- [mm]	0.01
Voltage [V]	24
Current consumption max. [A]	5
Operating temperature min. [°C]	5
Operating temperature max. [°C]	50
Protection to IEC 60529	IP64
Weight [kg]	1.66

*Depending on speed level selected

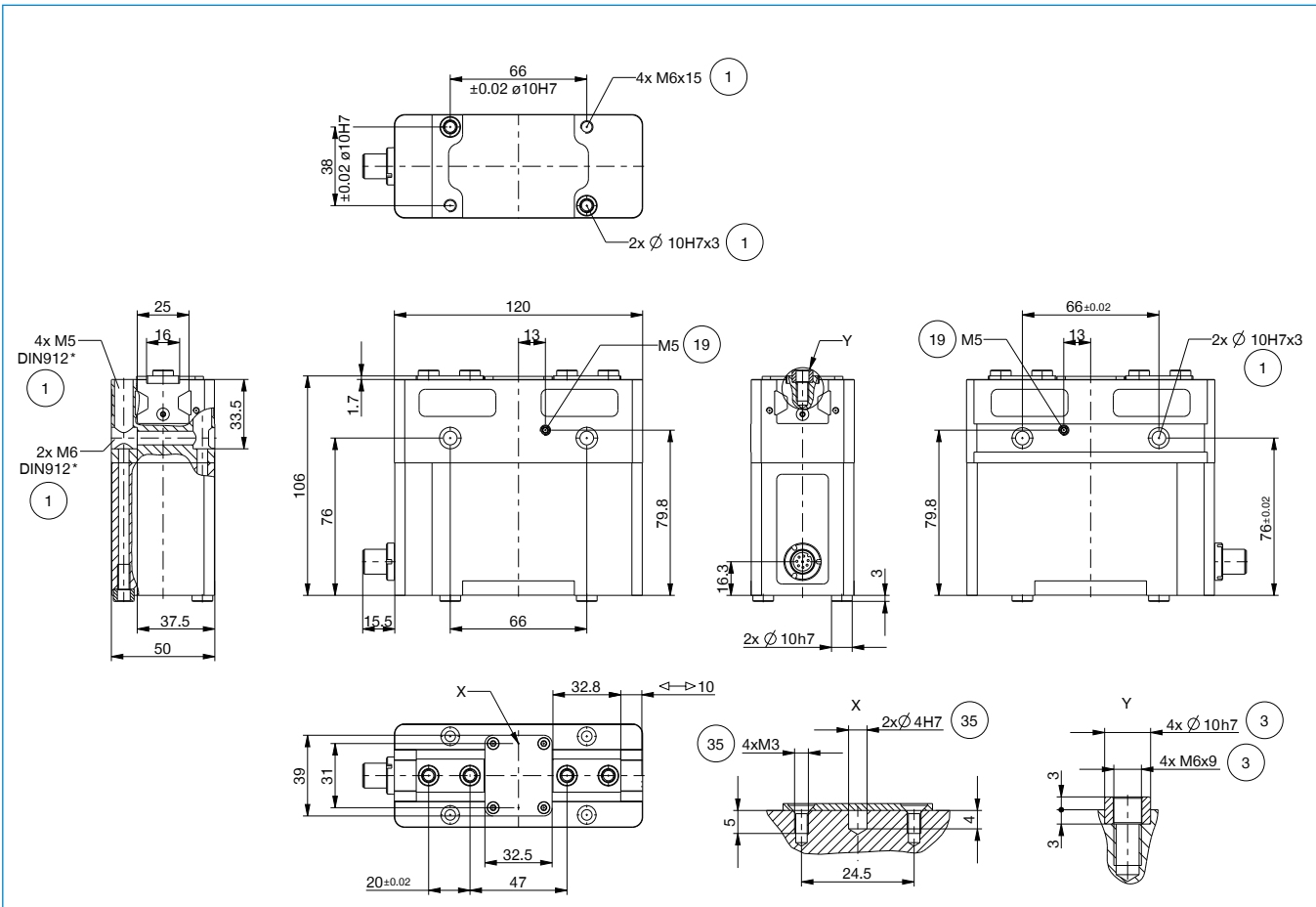
▶ TECHNICAL DATA - MODES

▶ Technical data - N mode	
Order no.	GEP5010N
Gripping force → ← min. / max. [N]	1200 / 1900
Gripping force ↔ min. / max. [N]	1200 / 1900
Travel time → ← min. / max. [s]	0,21 / 0,32
Travel time ↔ min. / max. [s]	0,21 / 0,32

▶ Technical data - NC mode	
Order no.	GEP5010N
Gripping force → ← min. / max. [N]	1200 / 1900
Gripping force ↔ min. / max. [N]	-
Travel time → ← min. / max. [s]	0,21 / 0,32
Travel time ↔ min. / max. [s]	0,16

▶ Technical data - NO mode	
Order no.	GEP5010N
Gripping force → ← min. / max. [N]	-
Gripping force ↔ min. / max. [N]	1200 / 1900
Travel time → ← min. / max. [s]	0,16
Travel time ↔ min. / max. [s]	0,21 / 0,32

TECHNICAL DRAWINGS



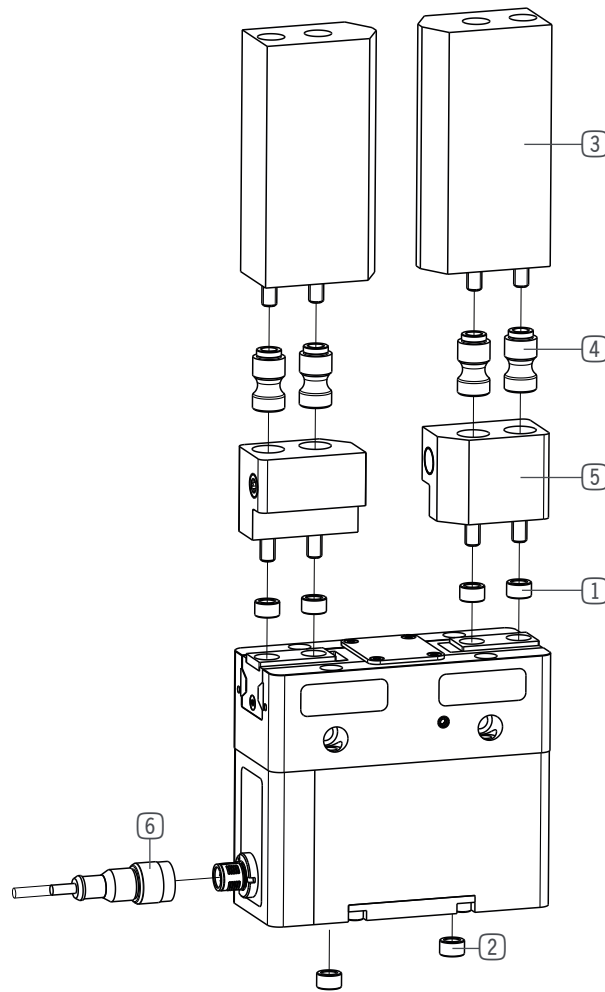
- ① Gripper attachment
- ② Energy supply

- ③ Fixing for gripper finger
- ⑱ Air purge connection option

- ⑳ Attachment option for customer-specific fittings

2-JAW PARALLEL GRIPPERS

INSTALLATION SIZE GEP5010



▶ INCLUDED IN DELIVERY



Centering Disc

018187

▶ RECOMMENDED ACCESSORIES



Universal jaw aluminium

UB5010AL



Universal jaw steel

UB5010ST



Changeable jaw, loose-part-set

WB5010L



Changeable jaw, fix-part

WB5010F



Plug-in Connector Angled Cable 10 m - Female M12

KAW1000B8

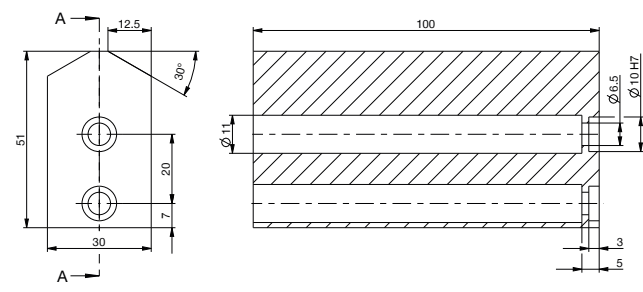


Plug-in Connector Straight Cable 10 m - Female M12

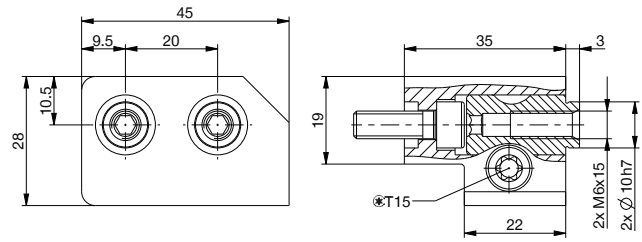
KAG1000B8

▶ TECHNICAL DRAWINGS ACCESSORIES

One universal jaw is required for each gripper jaw **3**



For each gripper jaw, one interchangeable jaw loose part set **4** and one interchangeable jaw fixed part **5** are needed



3-JAW CONCENTRIC GRIPPERS

SERIES GED5000

▶ PRODUCT ADVANTAGES



“ALL in ONE”

- ▶ Approximately the same gripping force as a comparable pneumatic gripper
- ▶ Mechanical self limitation in case of power drop
- ▶ Same connection hole patterns as a comparable pneumatic gripper
- ▶ Plug and play – single-cable solution, supports incredibly easy control using I/O signals
- ▶ Integrated ACM control module - option of configuring gripping force, travel time and 3 switching points
- ▶ Protected from corrosion and sealed in accordance with IP64
- ▶ Brushless DC motor – up to 30 million cycles without maintenance

▶ THE BEST PRODUCT FOR YOUR APPLICATION



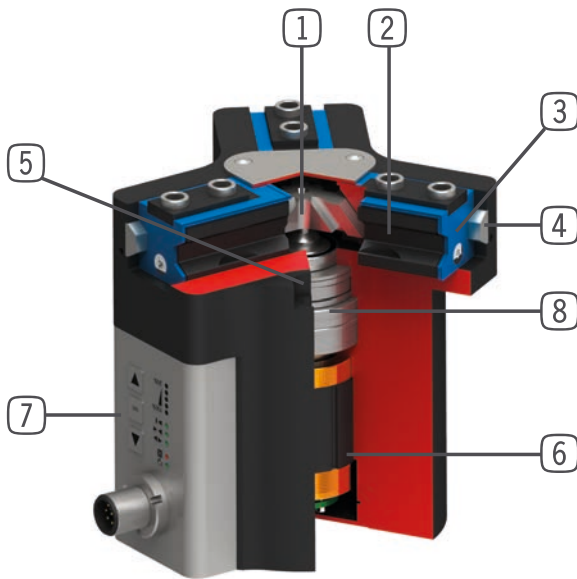
▶ Our products love the challenge!

Extreme conditions, all over the world—our tried and tested components and systems give you limitless possibilities:

Find the best product for your specific use:

www.zimmer-group.com

► BENEFITS IN DETAIL



- ① **Positively driven wedge hook transmission**
 - high forces and moments capacity
 - Synchronized gripper jaw movement
- ② **Gripper jaw**
 - DLC coated to protect against corrosion
 - Gripper fingers mounted using removable centring sleeves
 - Lubricated for life via incorporated lubrication slots
- ③ **Dual lip seal**
 - Enables IP64
 - Prevents grease from being squeezed out, increasing service life
- ④ **Steel Linear Guide**
 - Steel in steel guide
 - Enables use of extremely long gripper fingers
- ⑤ **Mounting and positioning**
 - Alternatively, on several sides for customized mounting
 - Pneumatic and electrical versions identical apart from height
- ⑥ **BLDC motor**
 - Wear-resistant brushless DC motor
- ⑦ **Advanced control module**
 - Integrated control module with single-cable solution
 - Gripping force, travel time and query programmable via the control panel on the housing
- ⑧ **Drive train**
 - Combination of trapezoidal spindle and gear
 - Durable and robust

► TERMS

Gripping force:	arithmetic sum of the individual forces occurring at the jaws
Gripping direction:	Movement toward the workpiece to be gripped
→ ←:	Gripping direction of external gripper
↔ :	Gripping direction of internal gripper
Travel time:	Time required for the complete stroke movement of the gripper jaws
Control time:	Response time of the gripping system
Work time:	Time from signal input until the signal output message, including travel time
Mode:	Travel time optimization by adapting to the gripping direction (N / NC / NO mode)
Repeatability:	at end stops after 50/100 consecutive cycles
Cycle:	Path that the gripper jaws travel for a complete opening and closing movement
Maintenance:	recommended at 30 mil. cycles (please see the installation instructions, download from www.zimmer-group.com)

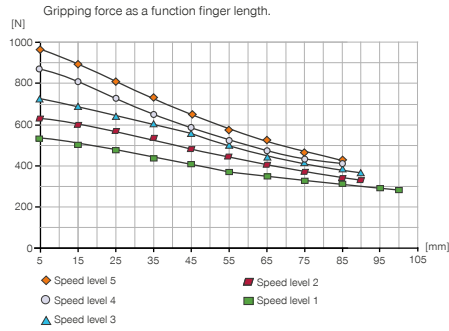
3-JAW CONCENTRIC GRIPPERS

INSTALLATION SIZE GED5006

▶ PRODUCT SPECIFICATIONS



▶ Gripping force diagram



▶ Forces and moments

Displays static forces and moments that can also have an effect, besides the gripping force.



Mr [Nm]	43
Mx [Nm]	70
My [Nm]	46
Fa [N]	1250

▶ TECHNICAL DATA - BASIC VERSION

Order no.	GED5006N
Stroke per jaw [mm]	6
Control time [s]	0.035
Weight per jaw max. [kg]	0.4
Length of the gripper fingers max. [mm]*	100
Repetition accuracy +/- [mm]	0.01
Voltage [V]	24
Current consumption max. [A]	5
Operating temperature min. [°C]	5
Operating temperature max. [°C]	50
Protection to IEC 60529	IP64
Weight [kg]	1.09

*Depending on speed level selected

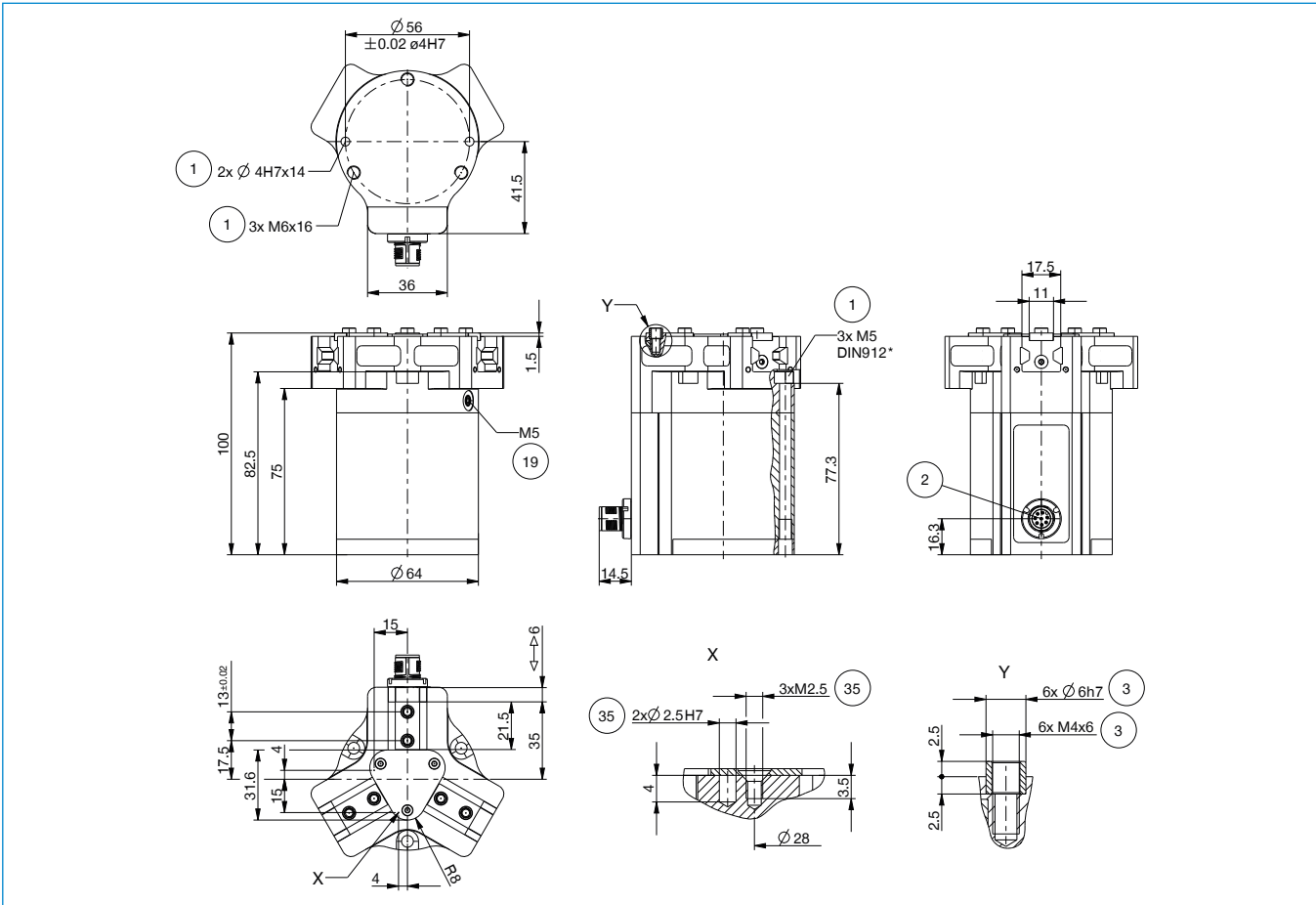
▶ TECHNICAL DATA - MODES

Order no.	GED5006N
Gripping force → ← min. / max. [N]	540 / 960
Gripping force ↔ min. / max. [N]	540 / 960
Travel time → ← min. / max. [s]	0,15 / 0,22
Travel time ↔ min. / max. [s]	0,15 / 0,22

Order no.	GED5006N
Gripping force → ← min. / max. [N]	540 / 960
Gripping force ↔ min. / max. [N]	-
Travel time → ← min. / max. [s]	0,15 / 0,22
Travel time ↔ min. / max. [s]	0,13

Order no.	GED5006N
Gripping force → ← min. / max. [N]	-
Gripping force ↔ min. / max. [N]	540 / 960
Travel time → ← min. / max. [s]	0,13
Travel time ↔ min. / max. [s]	0,15 / 0,22

TECHNICAL DRAWINGS



① Gripper attachment

② Energy supply

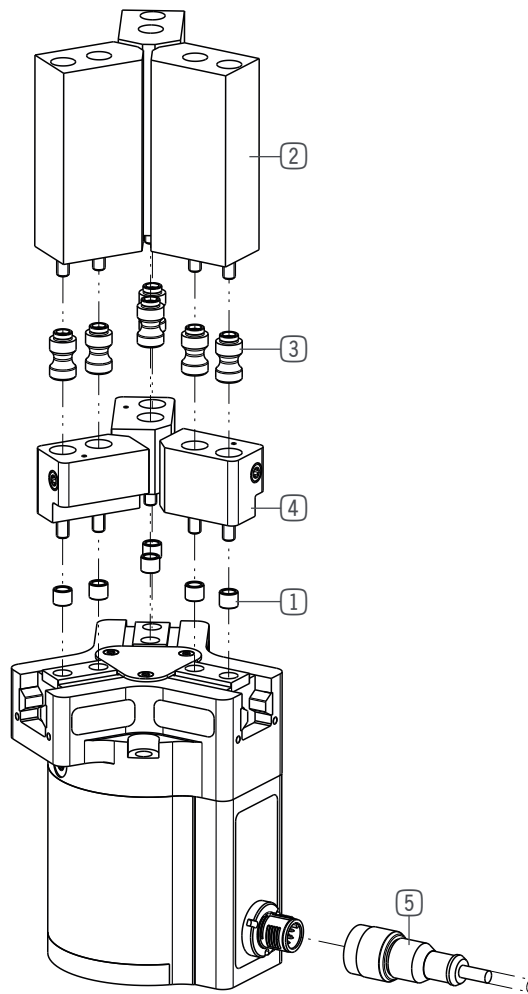
③ Fixing for gripper finger

⑱ Air purge connection option

⑳ Attachment option for customer-specific fittings

3-JAW CONCENTRIC GRIPPERS

INSTALLATION SIZE GED5006



▶ INCLUDED IN DELIVERY



Centering Disc

024230

RECOMMENDED ACCESSORIES



Universal jaw aluminium

UB5006AL



Universal jaw steel

UB5006ST



Pressure piece

ADS5006-05



Changeable jaw, loose-part-set

WB5006L



Changeable jaw, fix-part

WB5006F



Plug-in Connector Angled
Cable 10 m - Female M12

KAW1000B8

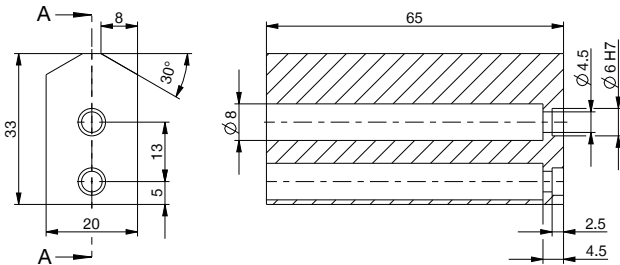


Plug-in Connector Straight
Cable 10 m - Female M12

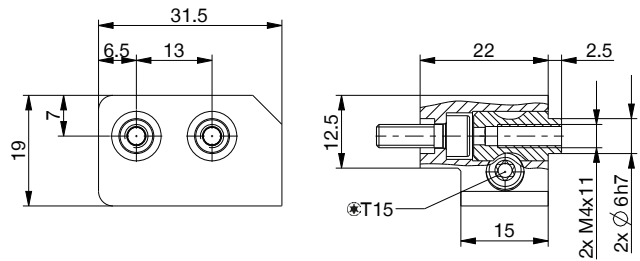
KAG1000B8

TECHNICAL DRAWINGS ACCESSORIES

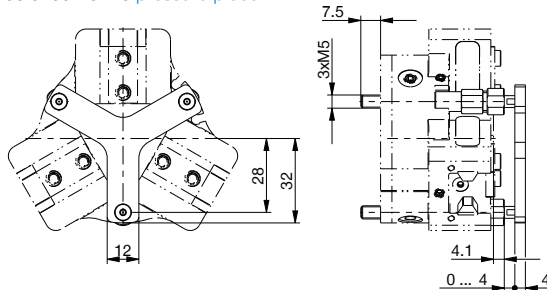
One universal jaw is required for each gripper jaw **2**
A-A



For each gripper jaw, one interchangeable jaw loose part set **3** and one interchangeable jaw fixed part **4** are needed



Gripper is fastened via the [pressure piece](#)



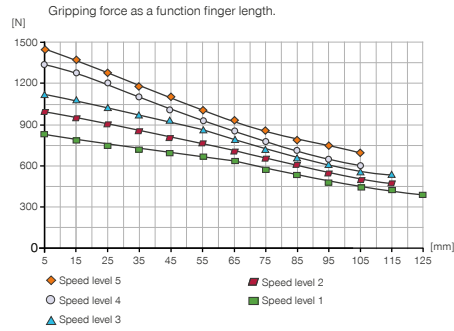
3-JAW CONCENTRIC GRIPPERS

INSTALLATION SIZE GED5008

▶ PRODUCT SPECIFICATIONS



▶ Gripping force diagram



▶ Forces and moments

Displays static forces and moments that can also have an effect, besides the gripping force.



Mr [Nm]	60
Mx [Nm]	105
My [Nm]	65
Fa [N]	1900

▶ TECHNICAL DATA - BASIC VERSION

Order no.	GED5008N
Stroke per jaw [mm]	8
Control time [s]	0.035
Weight per jaw max. [kg]	0.7
Length of the gripper fingers max. [mm]*	125
Repetition accuracy +/- [mm]	0.01
Voltage [V]	24
Current consumption max. [A]	5
Operating temperature min. [°C]	5
Operating temperature max. [°C]	50
Protection to IEC 60529	IP64
Weight [kg]	1.66

*Depending on speed level selected

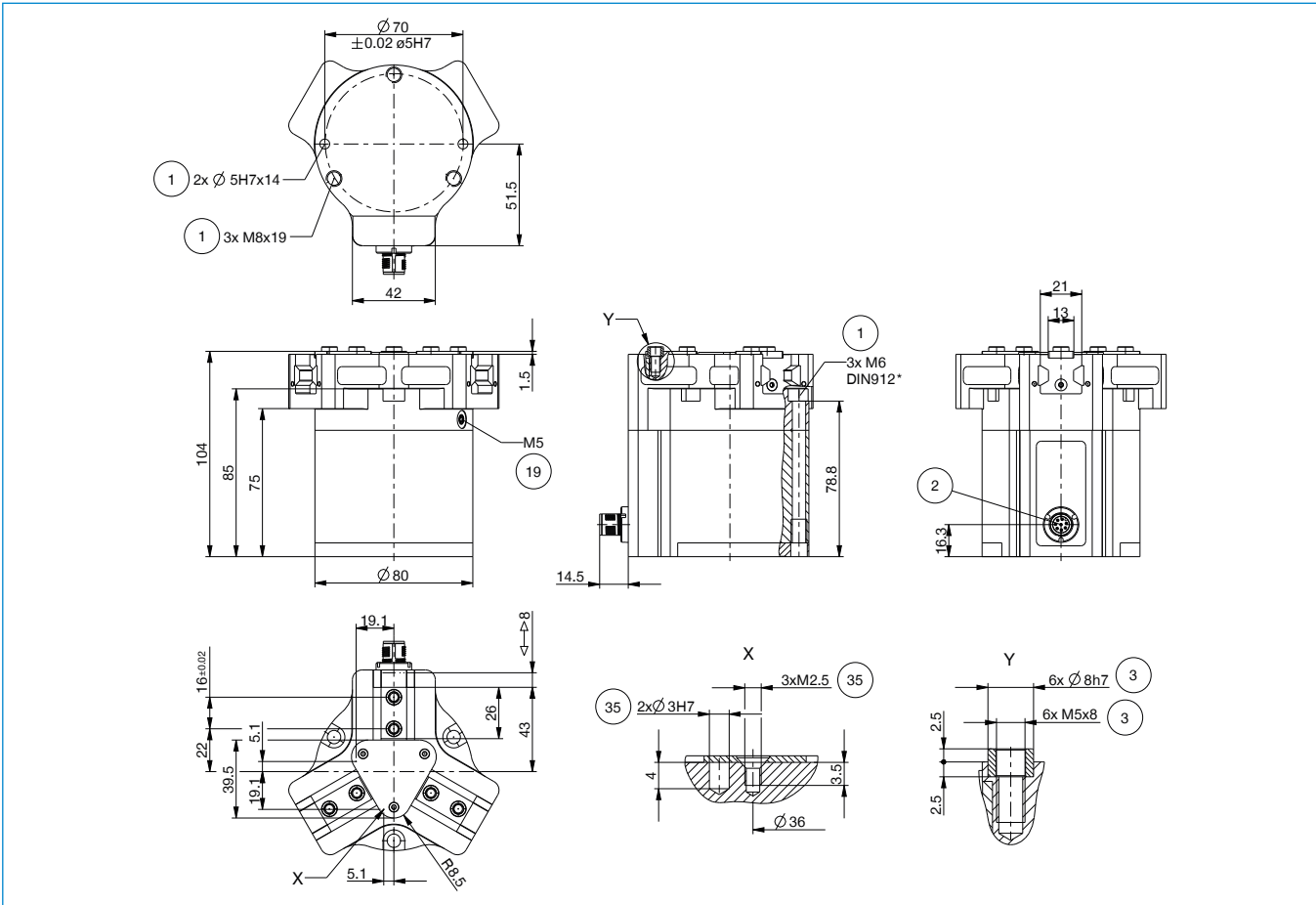
▶ TECHNICAL DATA - MODES

Order no.	GED5008N
Gripping force → ← min. / max. [N]	800 / 1450
Gripping force ↔ min. / max. [N]	800 / 1450
Travel time → ← min. / max. [s]	0,18 / 0,29
Travel time ↔ min. / max. [s]	0,18 / 0,29

Order no.	GED5008N
Gripping force → ← min. / max. [N]	800 / 1450
Gripping force ↔ min. / max. [N]	-
Travel time → ← min. / max. [s]	0,18 / 0,29
Travel time ↔ min. / max. [s]	0,15

Order no.	GED5008N
Gripping force → ← min. / max. [N]	-
Gripping force ↔ min. / max. [N]	800 / 1450
Travel time → ← min. / max. [s]	0,15
Travel time ↔ min. / max. [s]	0,18 / 0,29

TECHNICAL DRAWINGS



① Gripper attachment

② Energy supply

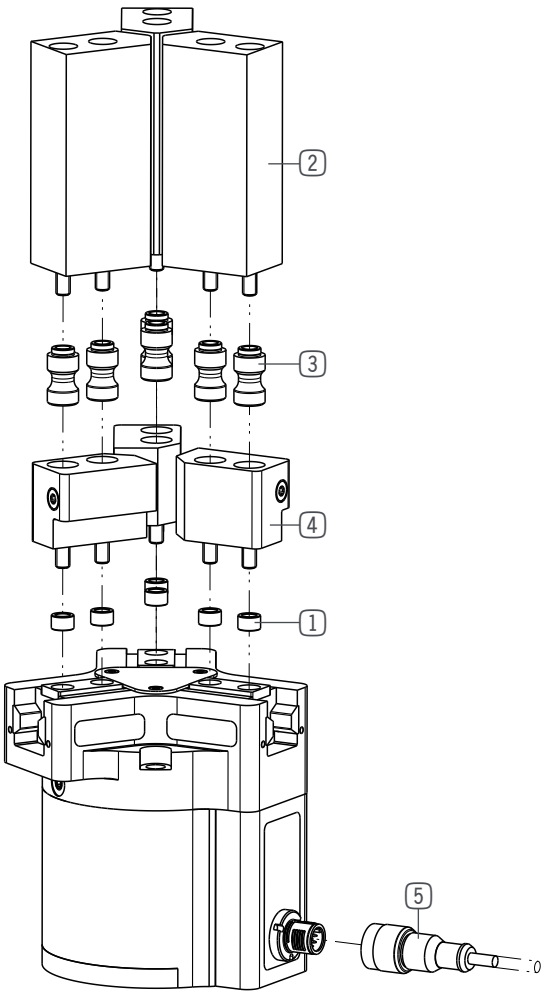
③ Fixing for gripper finger

⑱ Air purge connection option

⑳ Attachment option for customer-specific fittings

3-JAW CONCENTRIC GRIPPERS

INSTALLATION SIZE GED5008



▶ INCLUDED IN DELIVERY



Centering Disc

024231

▶ RECOMMENDED ACCESSORIES



Universal jaw aluminium

UB5008AL



Universal jaw steel

UB5008ST



Pressure piece

ADS5008-05



Changeable jaw, loose-part-set

WB5008L



Changeable jaw, fix-part

WB5008F



Plug-in Connector Angled Cable 10 m - Female M12

KAW1000B8

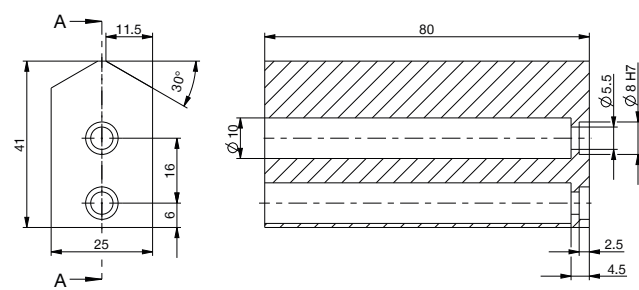


Plug-in Connector Straight Cable 10 m - Female M12

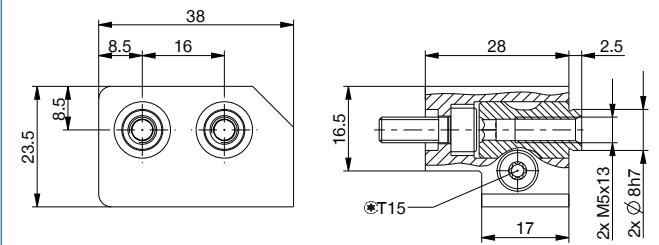
KAG1000B8

▶ TECHNICAL DRAWINGS ACCESSORIES

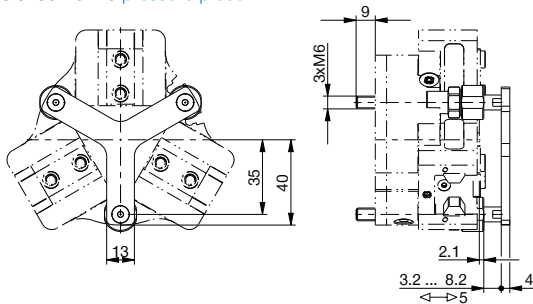
One universal jaw is required for each gripper jaw **2**



For each gripper jaw, one interchangeable jaw loose part set **3** and one interchangeable jaw fixed part **4** are needed



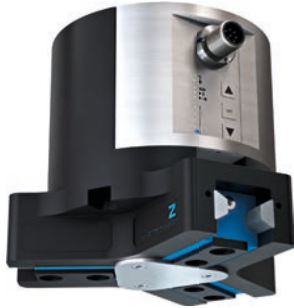
Gripper is fastened via the [pressure piece](#)



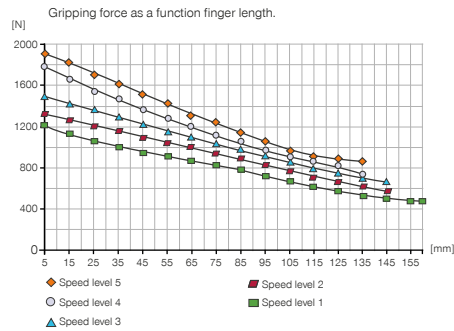
3-JAW CONCENTRIC GRIPPERS

INSTALLATION SIZE GED5010

▶ PRODUCT SPECIFICATIONS



▶ Gripping force diagram



▶ Forces and moments

Displays static forces and moments that can also have an effect, besides the gripping force.



Mr [Nm]	75
Mx [Nm]	125
My [Nm]	95
Fa [N]	2700

▶ TECHNICAL DATA - BASIC VERSION

Order no.	GED5010N
Stroke per jaw [mm]	10
Control time [s]	0.035
Weight per jaw max. [kg]	1.3
Length of the gripper fingers max. [mm]*	160
Repetition accuracy +/- [mm]	0.01
Voltage [V]	24
Current consumption max. [A]	5
Operating temperature min. [°C]	5
Operating temperature max. [°C]	50
Protection to IEC 60529	IP64
Weight [kg]	2.33

*Depending on speed level selected

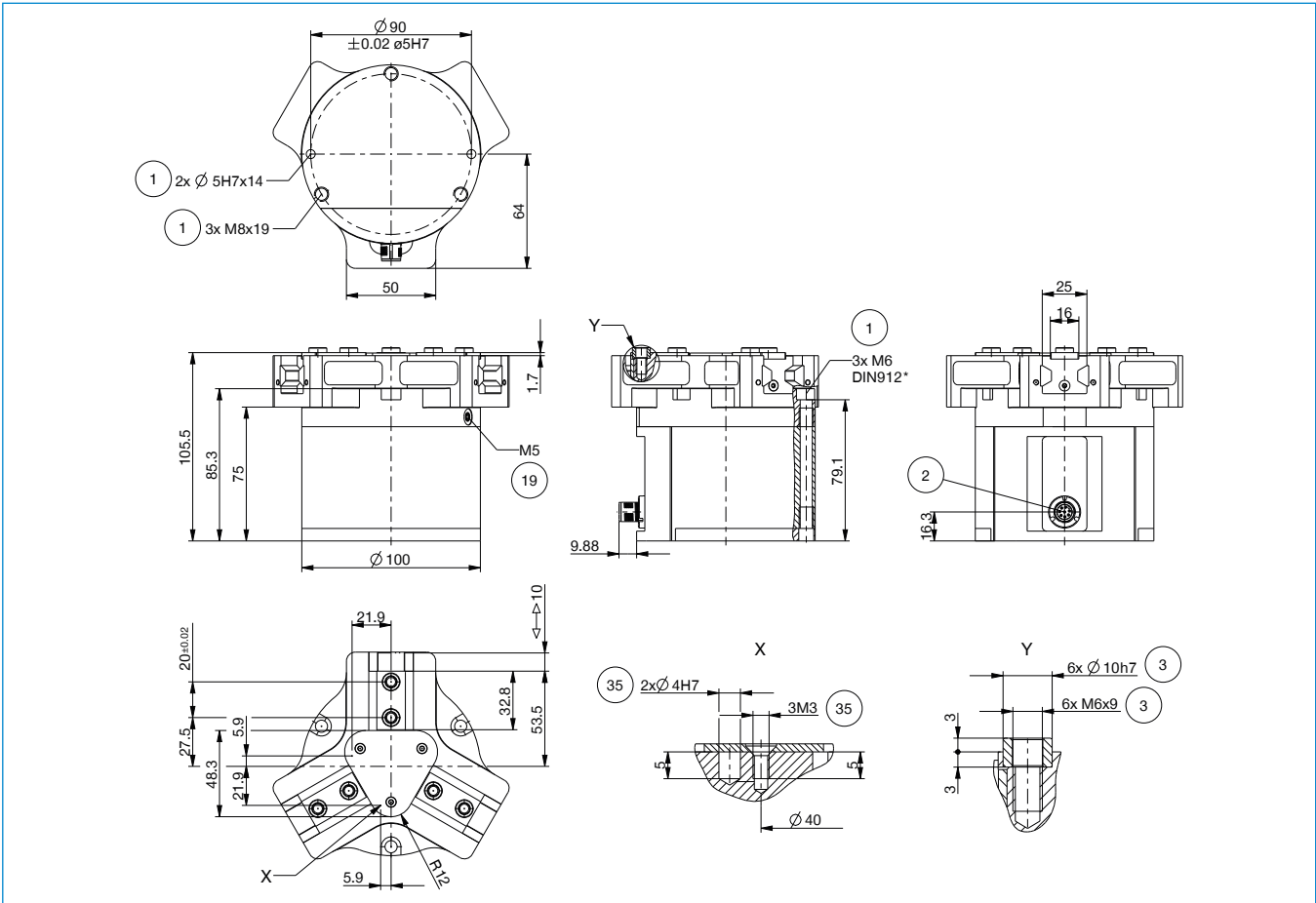
▶ TECHNICAL DATA - MODES

Order no.	GED5010N
Gripping force → ← min. / max. [N]	1200 / 1900
Gripping force ↔ min. / max. [N]	1200 / 1900
Travel time → ← min. / max. [s]	0,21 / 0,32
Travel time ↔ min. / max. [s]	0,21 / 0,32

Order no.	GED5010N
Gripping force → ← min. / max. [N]	1200 / 1900
Gripping force ↔ min. / max. [N]	-
Travel time → ← min. / max. [s]	0,21 / 0,32
Travel time ↔ min. / max. [s]	0,16

Order no.	GED5010N
Gripping force → ← min. / max. [N]	-
Gripping force ↔ min. / max. [N]	1200 / 1900
Travel time → ← min. / max. [s]	0,16
Travel time ↔ min. / max. [s]	0,21 / 0,32

TECHNICAL DRAWINGS



① Gripper attachment

② Energy supply

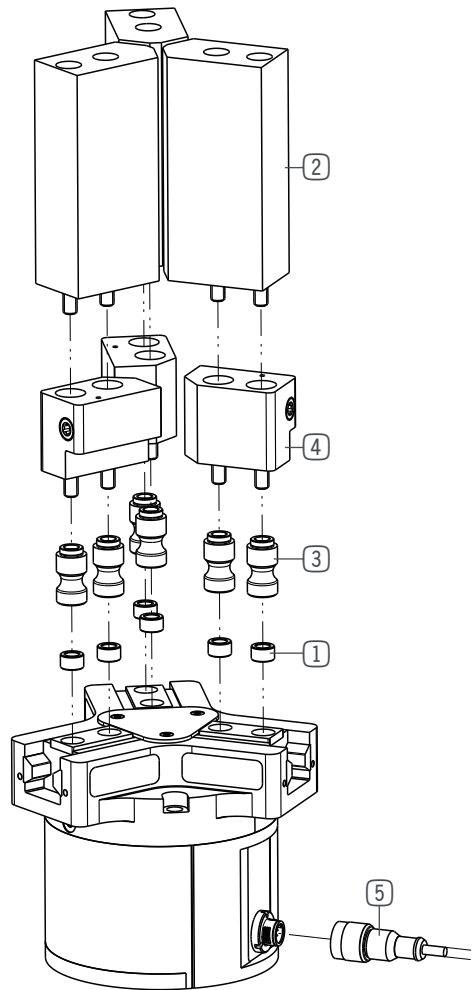
③ Fixing for gripper finger

⑱ Air purge connection option

⑳ Attachment option for customer-specific fittings

3-JAW CONCENTRIC GRIPPERS

INSTALLATION SIZE GED5010



▶ INCLUDED IN DELIVERY



Centering Disc

018187

▶ RECOMMENDED ACCESSORIES



Universal jaw aluminium

UB5010AL



Universal jaw steel

UB5010ST



Pressure piece

ADS5010-05



Changeable jaw, loose-part-set

WB5010L



Changeable jaw, fix-part

WB5010F



Plug-in Connector Angled
Cable 10 m - Female M12

KAW1000B8

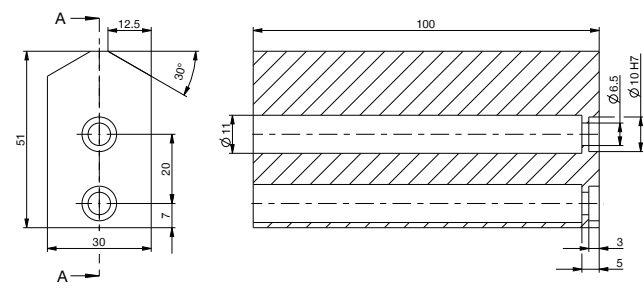


Plug-in Connector Straight
Cable 10 m - Female M12

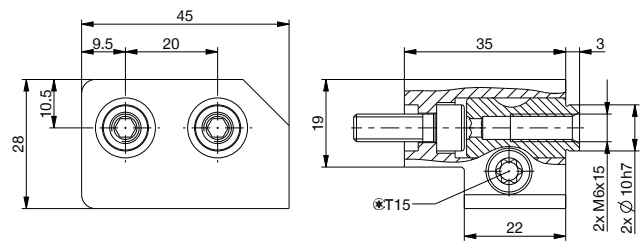
KAG1000B8

▶ TECHNICAL DRAWINGS ACCESSORIES

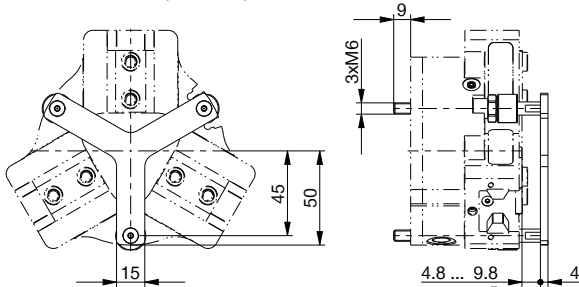
One universal jaw is required for each gripper jaw **2**



For each gripper jaw, one interchangeable jaw loose part set **3** and one interchangeable jaw fixed part **4** are needed



Gripper is fastened via the [pressure piece](#)



CHECKLIST GRIPPER

Customer number	<input type="text"/>	Telephone number	<input type="text"/>
Company	<input type="text"/>	Fax number	<input type="text"/>
Contact Mr. <input type="checkbox"/> Mrs. <input type="checkbox"/>	<input type="text"/>	E-Mail	<input type="text"/>
<input type="checkbox"/> Request	Desired date	<input type="text"/>	Req. No. <input type="text"/>
<input type="checkbox"/> Order			Ord No. <input type="text"/>
<input type="checkbox"/> Parallel gripper	<input type="checkbox"/> Three-jaw gripper	<input type="checkbox"/> Angular gripper	
<input type="checkbox"/> Other / If yes, which type	<input type="text"/>		

Drive

Pneumatic Electric Hydraulic

Operating pressure bar Voltage Volts

Required stroke

Per jaw mm or Total stroke mm

Gripper finger length

Gripper top edge to force application point mm

Ambient conditions

Clean / Dry Small amount of swarf
Coolant overspray Large amount of swarf Coolant
under pressure of grinding agents

Chemical substances / If yes, which

Temperature °C Cycles per minute

Required force

Gripping force N or Workpiece weight kg g

Gripping type

Gripping inward Gripping outward

Frictional fit Form fit

Prism angle ° Coefficient of friction Axis acceleration m/s²

Self Locking

Not required When closing When opening Pressure safety valve

Desired accessories

Inductive sensor Magnetic field sensor With cable Pluggable

Separate cable / If yes, how long m

Straight fitting

Angled fitting

Pressure safety valve

Pneumatic fittings / If yes, which

Straight

Angled

Flow control valve

Notes/comments

Editor/Date

Desired accessories

Sketch 3D model Other

USAGE NOTE

GENERAL

The contents of this catalog are not legally binding and are intended solely for informational purposes. Any final agreement will be in the form of a written order confirmation from ZIMMER GMBH, which occurs only subject to the respective current General Terms and Conditions of Sale and Delivery of ZIMMER GMBH. These can be found online at www.zimmer-group.com.

All of the products listed in this catalog are designed for their intended use, e.g. machines for automation. The recognized technical regulations for safety and professional work must be followed for use and installation.

Furthermore, the respective laws, guidelines from TÜV, guidelines from the respective trade association and VDE stipulations shall apply.

The technical data listed in this catalog must be observed by the user. The conditions of use may not fall below or exceed the specified data. If information is missing, it cannot be assumed that there are no upper or lower limits or no limitations for specific use cases. Consultation is required in these cases.

Disposal is not included in the price, which would have to be taken into account accordingly in the event of return to or disposal by ZIMMER GMBH.

TECHNICAL DATA AND FIGURES

The technical data and figures have been compiled with great care and to the best of our knowledge. We cannot guarantee that the information is up to date, correct or complete.

The specifications and information—such as figures, drawings, descriptions, dimensions, weights, materials, technical and other performance data and the described products and services—contained in general product descriptions, ZIMMER GMBH catalogs, brochures and price lists in any form are subject to change and may be modified or updated at any time without prior notification. They are binding only to the extent expressly specified in a contract or order confirmation. Slight deviations from such descriptive product information shall be considered approved and shall not affect fulfillment of agreements insofar as they are reasonable for the customer.

LIABILITY

Products from Zimmer Group are subject to the German Product Liability Act. This catalog does not contain any guarantees, assurances of quality or procurement agreements for the products it depicts, neither expressly nor implied, including for the availability of products. Advertising statements relating to quality features, properties or applications for the products are not legally binding.

To the extent permitted by law, ZIMMER GMBH is exempt from any liability for direct or indirect damage, subsequent damage and requests of any kind or on any legal basis resulting from the use of information contained in this catalogue.

TRADEMARK, COPYRIGHT AND REPRODUCTION

The depiction of commercial property rights in this catalog—such as brands, logos, registered trademarks or patents—does not include the granting of licenses or use rights. Their use is not permitted without the expressed written agreement of ZIMMER GMBH. All contents of this catalog are the intellectual property of ZIMMER GMBH. For the purposes of copyright, any unlawful use of intellectual property, including excerpts, is prohibited. Reprinting, copying or translating (including in the form of excerpts) are permitted only with the prior written consent of ZIMMER GMBH.

STANDARDS

Zimmer Group has a quality management system certified in accordance with ISO 9001:2008. Zimmer Group has an environmental management system certified in accordance with ISO 14001:2004.

USAGE NOTE

INDIVIDUAL

DECLARATION OF INCORPORATION IN TERMS OF THE EC DIRECTIVE 2006/42/EC ON MACHINERY (ANNEX II 1 B)

We hereby declare that our elements meet the following basic requirements of the Machinery Directive 2006/42/EC as an incomplete machine

No.1.1.2., No.1.1.3., No.1.1.5., No.1.3.2, No. 1.3.4, No. 1.3.7, No.1.5.3, No.1.5.4, No.1.5.8., No.1.6.4, No.1.7.1, No.1.7.3, No.1.7.4.

We also declare that the specific technical documents were produced in accordance with Annex VII Part B of this Directive. We undertake to provide the market supervisory bodies with electronic versions of the incomplete machine's special documents via our documentation department should they have reason to request them.

The incomplete machine may only be commissioned if the machine or system in which the incomplete machine is to be installed has been determined to satisfy the conditions of the Machinery Directive 2006/42/EC and the EC Declaration of Conformity has been produced in accordance with Annex II A.

The contents and data correspond to the status as of printing, Edition 07/2015.

This catalog was created with great care and all information has been checked for accuracy. However, we assume no liability for incorrect or incomplete information. Zimmer Group reserves the right to technical changes and improvements through constant ongoing development of products and services. All text, images, depictions and illustrations in this catalog are the property of Zimmer Group and protected by copyright. Any duplicating, editing, changing, translating, filming, processing or saving in electronic systems is prohibited without the consent of Zimmer Group.

ZIMMER GROUP—THE KNOW-HOW FACTORY

NEW TECHNOLOGY, COMPONENTS, BUSINESS DIVISIONS AND LOCATIONS ACROSS THE GLOBE—OUR COMPANIES HAVE BECOME STRONG AND OUR RANGE OF PRODUCTS HAS GROWN MORE DIVERSE.

THE NEW **ZIMMER GROUP** UMBRELLA BRAND HELPS GIVE YOU DIRECTION AMONG THIS NEW DIVERSITY. IT COMBINES THE COMPANIES ZIMMER GMBH, ZIMMER KUNSTSTOFFTECHNIK, ZIMMER DAEMPFUNGSYSTEME AS WELL AS BENZ WERKZEUGSYSTEME INTO ONE PARTNER FOR YOUR PROJECTS: THE KNOW-HOW FACTORY.

CHALLENGE US. DISCOVER THE ENTIRE WORLD OF ZIMMER GROUP! IF YOU HAVE QUESTIONS ABOUT THE NEW ZIMMER GROUP AND OUR TECHNOLOGY, WE WOULD BE HAPPY TO ANSWER THEM.

CONTACT

Zimmer Group
Am Glockenloch 2
D-77866 Rheinau / Germany

T +49 7844 9139-0

F +49 7844 9139-1199

info@zimmer-group.com

www.zimmer-group.com

